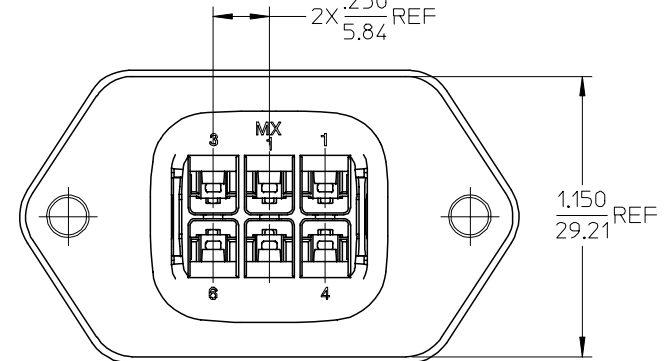
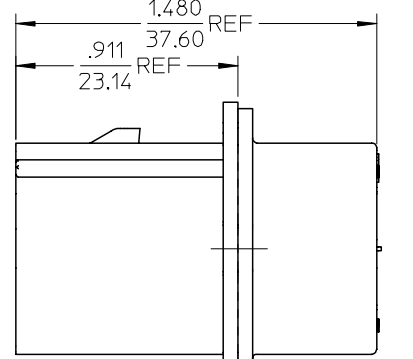
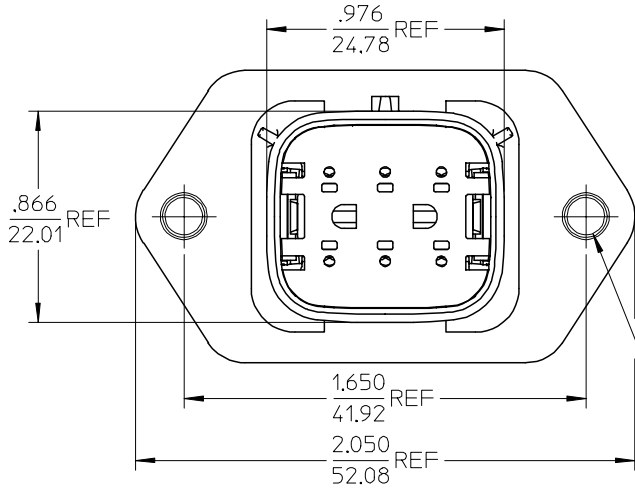


ASSEMBLED VIEW  
SCALE 1:1



194290044	YES
194290028	NO
MATERIAL NUMBER	GASKET

- NOTES:
- ASSEMBLY BULK PACKAGED PER PK-19429-001.
  - USE CONNECTOR WITH MALE CRIMP TERMINAL: SERIES 19417.
  - PLUG PANEL MOUNT ASSEMBLY DESIGNED TO MATE TO 19418 SERIES RECEPTACLE ASSEMBLIES.
- 4 HOLE IS DESIGNED TO ACCEPT #6 FASTENER.

EC NO: ETC2005-0118 DRWN: BRUPERT 2005/01/20 CHKD: JPAWLICK 2005/01/20 APPR: RDEROSS 2005/01/20	QUALITY SYMBOLS	GENERAL TOLERANCES (UNLESS SPECIFIED) 4 PLACES ± --- ± --- 3 PLACES ± --- ± .015 2 PLACES ± 0.38 ± --- 1 PLACE ± --- ± --- ANGULAR ± 1°	SCALE 2:1	DESIGN UNITS INCH	THIRD ANGLE PROJECTION REVISE ON CAD ONLY
	DESCRIPTION ▽ = 0 ◻ = 0		DIMENSION STYLE IN/MM	TITLE 6 WAY PLUG PANEL MOUNT ASSEMBLY W/O BOSS 22-14 AWG	
REV A	MUST REMAIN WITHIN DIMENSIONS	DRAFT WHERE APPLICABLE	DRAWN BY DMYRICK DATE 04/07/19	CHECKED BY JPAWLICK DATE 04/07/19	MATERIAL NO. SEE CHART
			APPROVED BY RDEROSS DATE 04/07/19	DATE 04/07/19	DOCUMENT NO. SD-19429-012
			THIS DRAWING CONTAINS INFORMATION THAT IS PROPRIETARY TO MOLEX INCORPORATED AND SHOULD NOT BE USED WITHOUT WRITTEN PERMISSION		SHEET NO. 1 OF 1