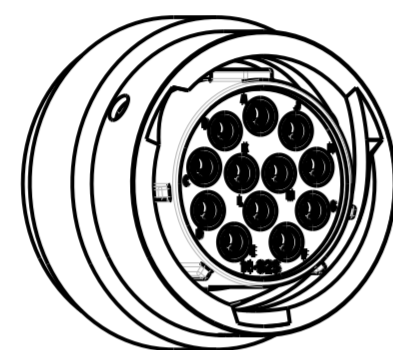
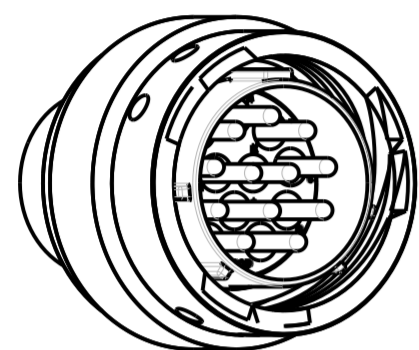
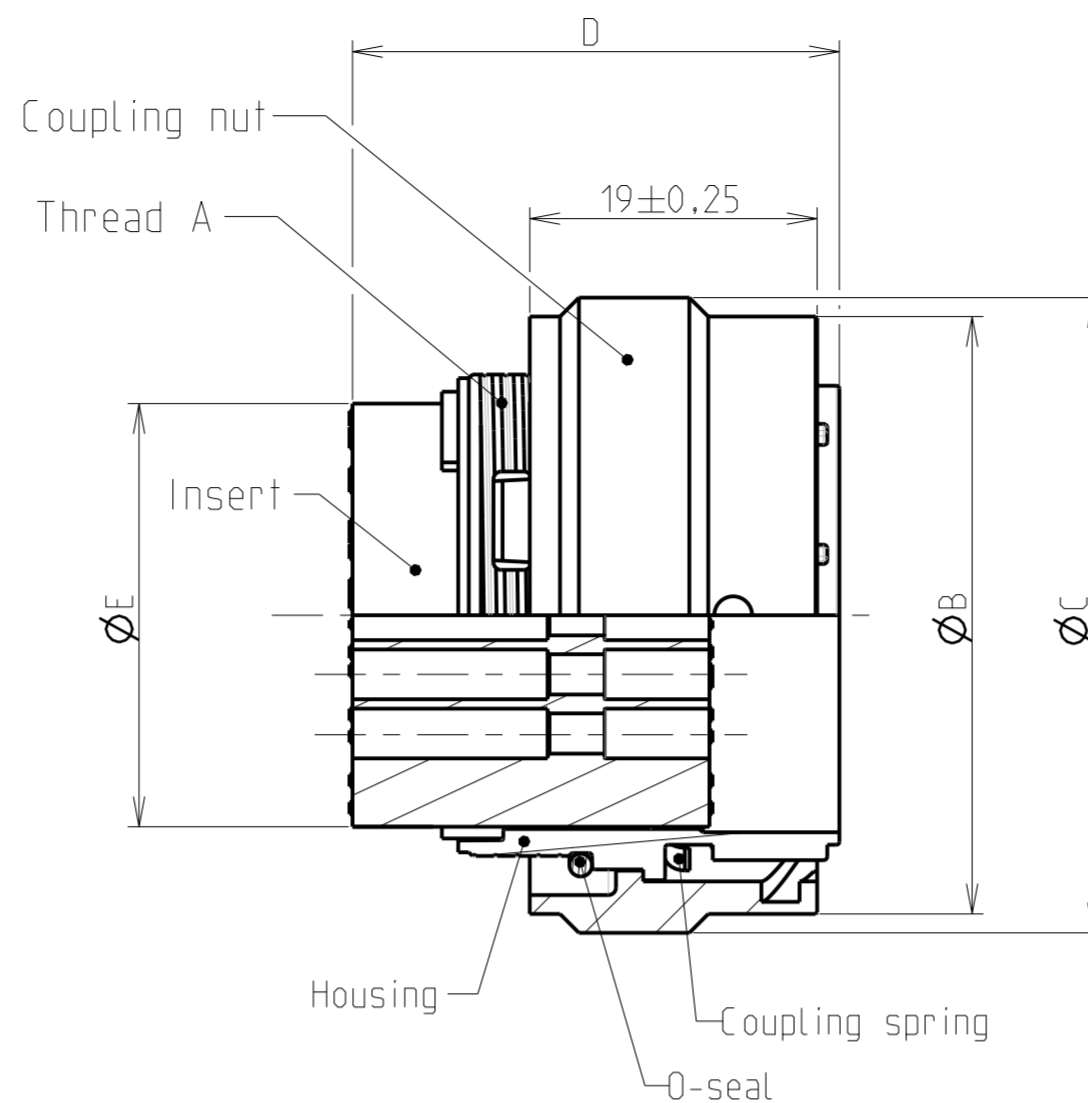
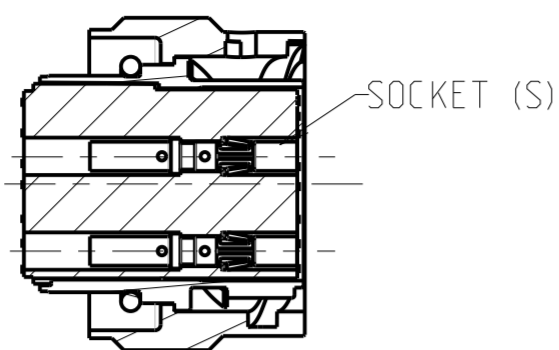
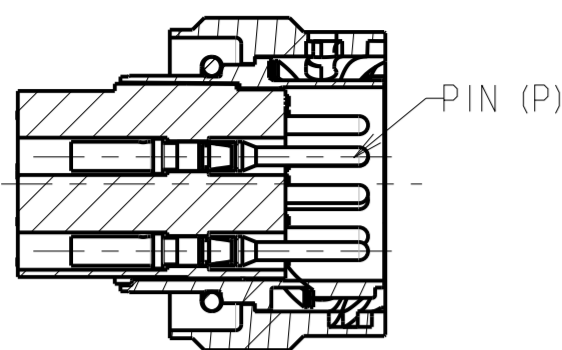


MALE CONNECTOR

FEMALE CONNECTOR



MATERIAL :

Housing : Zinc alloy nickel plated
 Coupling Nut : Aluminium alloy, nickel plated
 Insert : PA 66 UL94 V0
 Coupling Spring : Stainless steel
 O'seal : Nitril

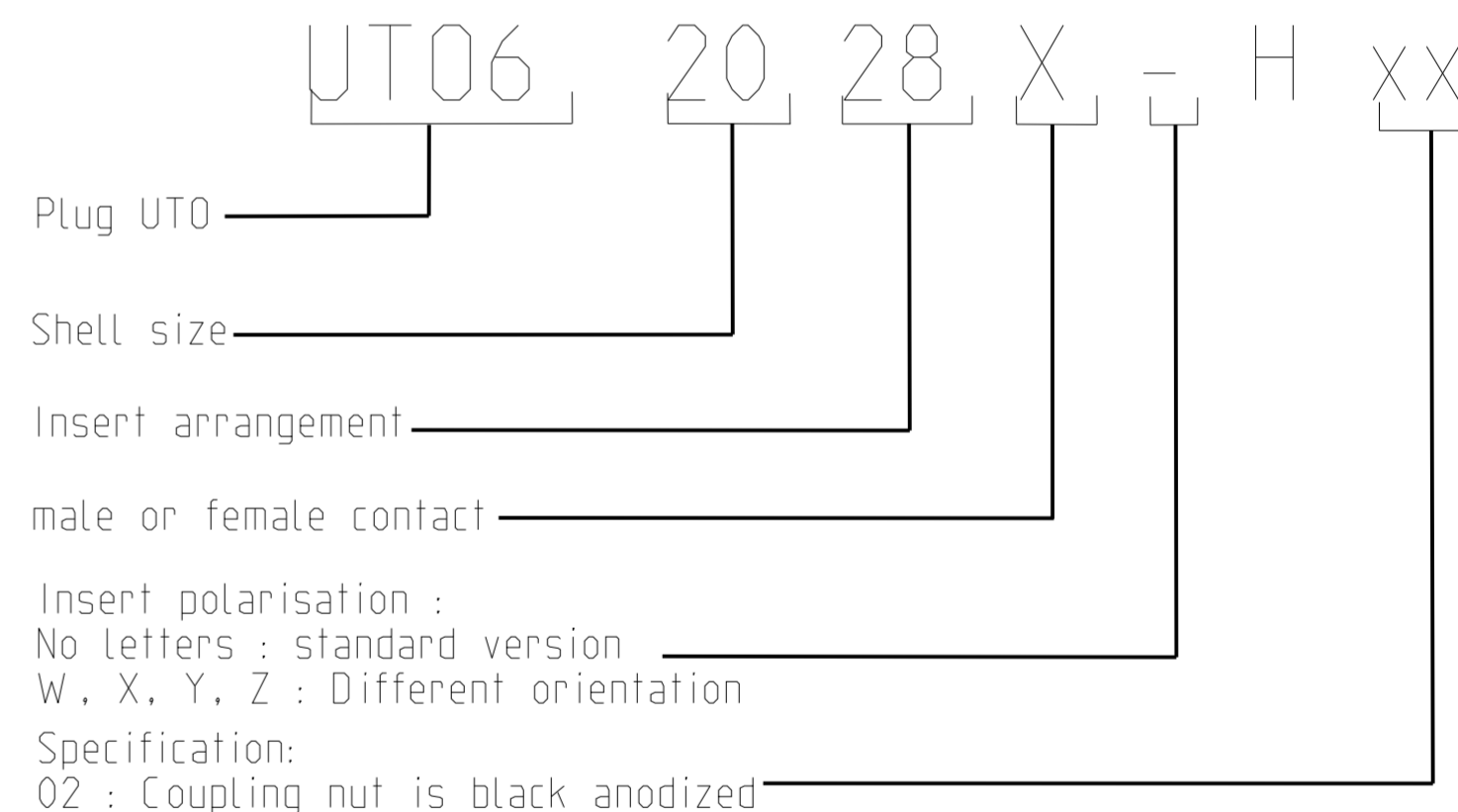
PERFORMANCE CHARACTERISTICS :

Operating temperature : -40°C up to 105°C
 Insulation resistance : 5000 MΩmin
 Withstanding voltage: 2000Vrms (1500 Vrms for 102w2 and 103w3 layouts)
 Corrosion salt spray: 48 hours or 96 hours (specif. 02)
 Durability : 500 matings and unmatings
 Sealing IP67 / IP68 3 bar/30min as per IEC60529
 Sealing IP69K as per DIN40050
 ROHS compliant

NOTES :

- 1- Contact identification and orientation, refer to :
 UTO-CONTACT-L-C01 (Male)
 UTO-CONTACT-L-C02 (Female)
- 2- Contact to be ordered separately : refer to UTO catalog
- 3- Insert arrangements refer to : UTO-DHP-001-C01 (Male)
 UTO-DHP-002-C01 (Female)
- 4- This drawing covers p/n termination : -H / -H02
- 5- packaging: connector is individually packed in a plastic bag

Part Number (Note 4)	Thread A for information	ØB ±0.15	ØC ±0.20	D Max		ØE±0.20	
				Male	Female		
UT06102W 2X-H	9/16-24 UNEF Class 2A	20.00	21.80	35	33	10.15	
UT06103W 3X-H				35	27		
UT06103X-H				33	25.5		13.10
UT06104X-H							
UT06124X-H	11/16-24 UNEF Class 2A	23.60	26.10	34	34	16.40	
UT06128X-H				33	25.5		
UT06142G1X-H				13/16-20 UNEF Class 2A	26.80		29.30
UT06147X-H	25.5	19.50					
UT06148X-H			33			21.65	
UT061412X-H	27.5	24.80					
UT061492X-H			27.99				
UT061619X-H				31.16			
UT061823X-H	15/16-20 UNEF Class 2A	30.00	32.45	33	25.5	19.50	
UT061823X-H	1" 1/16-18 UNEF Class 2A	33.30	35.25				
UT062028X-H	1" 3/16-18 UNEF Class 2A	36.55	38.80	33	27.5	24.80	
UT062030X-H							
UT062235X-H	1" 5/16-18 UNEF Class 2A	39.50	42.00	33	27.5	27.99	
UT062238X-H							
UT062448X-H							1" 7/16-18 UNEF Class 2A



P/N : UT06xxxxXxH

a	21/10/13	CREATION OF THE DRAWING / Cancel & replace UT06xxxxPxH02-C01/UT06xxxxSxH02-C04	--
ISS	DATE	Latest modification - by: CHANTOISEAU P.	MOD N°
Designed by: CHANTOISEAU P. Date: 21/10/13		CUSTOMER DRAWING	
TITLE		PART NUMBER : UT06xxxxXxH	
		UTO PLUG CONNECTOR	
Scale	3/2	General Linear Tolerances: ± --	NPRDS / PROJECT UTO
SOURIAU		WWW.SOURIAU.COM	
		This document is the property of SOURIAU. It must not be reproduced or communicated without permission.	
FORMAT	A2	SOURIAU DRG N° UT06-C01	SHEET 1 / 1