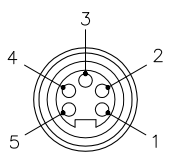
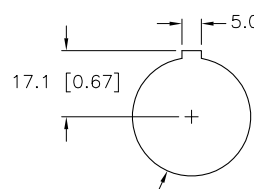
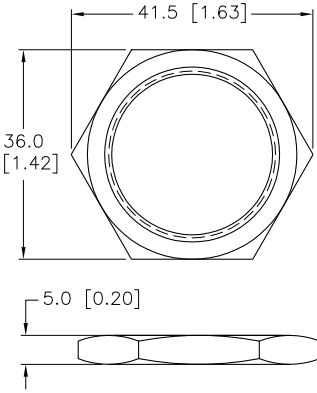

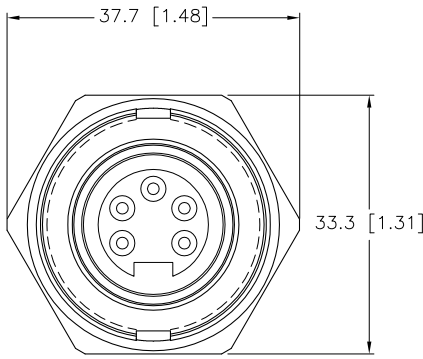
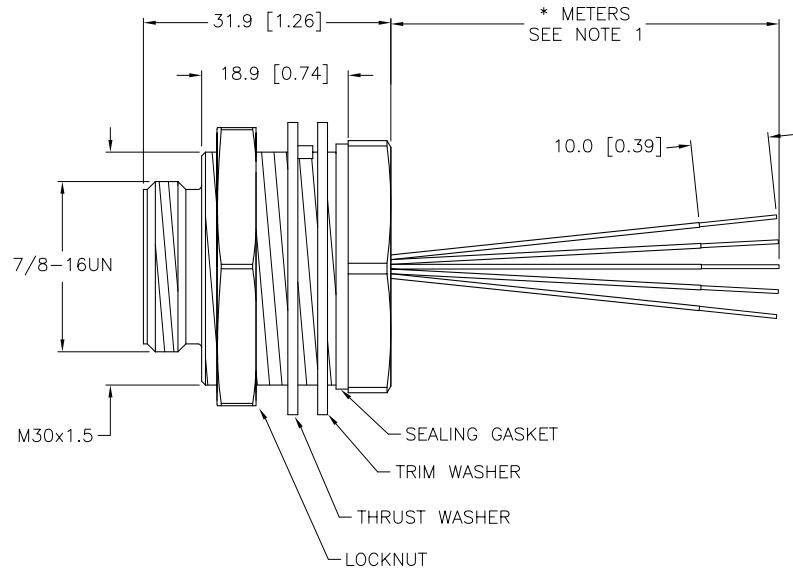


MALE END VIEW	PANEL CUTOUT (TYPICAL)	M30x1.5 LOCKNUT	SPECIFICATIONS																							
 <p>1 = BLACK 2 = BLUE 3 = GREEN/YELLOW 4 = BROWN 5 = WHITE</p> 			<table border="1"> <tr><td>CONTACT CARRIER MATERIAL/COLOR</td><td>POLYURETHANE/BLACK</td></tr> <tr><td>CONTACT MATERIAL/PLATING</td><td>BRASS/GOLD</td></tr> <tr><td>HOUSING/LOCKNUT MATERIAL/PLATING</td><td>BRASS/NICKEL</td></tr> <tr><td>O-RING MATERIAL</td><td>BUNA N/BLACK</td></tr> <tr><td>RATED CURRENT [A]</td><td>8.0 A</td></tr> <tr><td>RATED VOLTAGE [V]</td><td>600 V</td></tr> <tr><td>CONDUCTOR INSULATION MATERIAL</td><td>PVC</td></tr> <tr><td>NUMBER OF CONDUCTORS [AWG]</td><td>5x18 AWG</td></tr> <tr><td>TEMPERATURE RANGE</td><td>-40°C to +105°C (-40°F to +221°F)</td></tr> <tr><td>PROTECTION CLASS</td><td>MEETS NEMA 1,3,4,6P AND IEC IP68</td></tr> <tr><td>ACCOMMODATE WALL THICKNESS</td><td>1.3 [.050] to 6.4 [.250]</td></tr> </table>	CONTACT CARRIER MATERIAL/COLOR	POLYURETHANE/BLACK	CONTACT MATERIAL/PLATING	BRASS/GOLD	HOUSING/LOCKNUT MATERIAL/PLATING	BRASS/NICKEL	O-RING MATERIAL	BUNA N/BLACK	RATED CURRENT [A]	8.0 A	RATED VOLTAGE [V]	600 V	CONDUCTOR INSULATION MATERIAL	PVC	NUMBER OF CONDUCTORS [AWG]	5x18 AWG	TEMPERATURE RANGE	-40°C to +105°C (-40°F to +221°F)	PROTECTION CLASS	MEETS NEMA 1,3,4,6P AND IEC IP68	ACCOMMODATE WALL THICKNESS	1.3 [.050] to 6.4 [.250]	
CONTACT CARRIER MATERIAL/COLOR	POLYURETHANE/BLACK																									
CONTACT MATERIAL/PLATING	BRASS/GOLD																									
HOUSING/LOCKNUT MATERIAL/PLATING	BRASS/NICKEL																									
O-RING MATERIAL	BUNA N/BLACK																									
RATED CURRENT [A]	8.0 A																									
RATED VOLTAGE [V]	600 V																									
CONDUCTOR INSULATION MATERIAL	PVC																									
NUMBER OF CONDUCTORS [AWG]	5x18 AWG																									
TEMPERATURE RANGE	-40°C to +105°C (-40°F to +221°F)																									
PROTECTION CLASS	MEETS NEMA 1,3,4,6P AND IEC IP68																									
ACCOMMODATE WALL THICKNESS	1.3 [.050] to 6.4 [.250]																									
																										



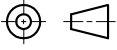
END VIEW
LOCKNUT NOT SHOWN



CABLE LENGTH	TOLERANCE
ALL LENGTHS	+ 4% (OR 50mm) OF LENGTH - 0% (OR 0mm) OF LENGTH WHICHEVER IS GREATER
STRIP LENGTH	TOLERANCE
0-7mm	±0.5mm
8-29mm	±1.0mm
30-49mm	±2.0mm
50-69mm	±3.0mm
70-100mm	±4.0mm
OVER 100mm	±5.0mm

NOTES:
1. "*" INDICATES LEAD LENGTH IN METERS. CONTACT TURCK TO ORDER SPECIFIC LENGTHS.

SOURCE DRAWING - FOR REFERENCE ONLY

RELATED DOCUMENTS 1. 2. 3. 4.	3RD ANGLE PROJECTION 	THIS DRAWING IS PROPERTY OF TURCK INC. USE OF THIS DOCUMENT WITHOUT WRITTEN PERMISSION IS PROHIBITED.	<div style="display: flex; justify-content: space-between;"> <div data-bbox="1480 1307 1848 1372"> TURCK INC <i>High Technology Sensors and Automation Controls</i> </div> <div data-bbox="1869 1291 2058 1396"> 3000 CAMPUS DRIVE MINNEAPOLIS, MN 55441 1-800-544-7769 (763) 553-7300 (763) 553-0708 fax turck.com </div> </div>		
MATERIAL SEE SPECIFICATIONS	ALL DIMENSIONS DISPLAYED ON THIS DRAWING ARE FOR REFERENCE ONLY	DRFT RWC DSGN	DATE 11/23/09 SCALE 1=1.0	DESCRIPTION RSFP 50-*M	
FINISH SEE SPECIFICATIONS	CONTACT TURCK FOR MORE INFORMATION	UNIT OF MEASUREMENT MILLIMETER [INCH] DO NOT SCALE THIS DRAWING		IDENTIFICATION NO. FILE: 777003813	REV A SHEET 1 OF 1

A	DRAWING RELEASE	RWC	11/24/09	
REV	DESCRIPTION	BY	DATE	ECO NO.