

D-SUB connector set - VS-09-SET-EMV - 1689158


Please be informed that the data shown in this PDF Document is generated from our Online Catalog. Please find the complete data in the user's documentation. Our General Terms of Use for Downloads are valid (<http://phoenixcontact.com/download>)



D-SUB connector set, shell size 1, IP67 protection, with shrouds



Key Commercial Data

Packing unit	1 pc
GTIN	 4 017918 890568
GTIN	4017918890568
Weight per Piece (excluding packing)	77.900 g
Custom tariff number	85366990
Country of origin	Germany
Note	Made to Order (non-returnable)

Technical data

Mechanical characteristics

Number of positions	9
Shielded	yes
Insertion/withdrawal cycles	≥ 1000
External cable diameter	3 mm ... 9 mm
Cable outlet	Angled
Color	gray
Degree of protection	IP67
Type	D-SUB 9
Size of housing	1
No. of cable outlets	2

Ambient conditions

Ambient temperature (operation)	-40 °C ... 80 °C
---------------------------------	------------------

Material data

D-SUB connector set - VS-09-SET-EMV - 1689158

Technical data

Material data

Flammability rating according to UL 94	V0
Housing material	PA
Sealing material	Flat gasket: NBR; profile gasket: EPDM
Seal material	Flat gasket: NBR; profile gasket: EPDM
Cable seal material	CR/NBR

Electrical characteristics

Number of positions	9
Degree of pollution	2

Standards and Regulations

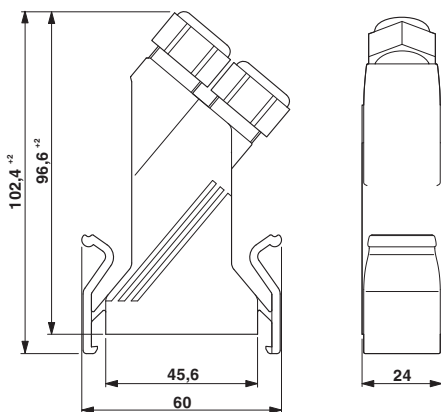
Flammability rating according to UL 94	V0
--	----

Environmental Product Compliance

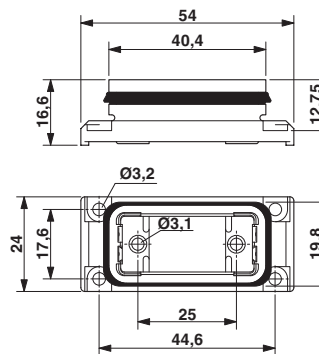
China RoHS	Environmentally Friendly Use Period = 50
	For details about hazardous substances go to tab "Downloads", Category "Manufacturer's declaration"

Drawings

Dimensional drawing



Dimensional drawing

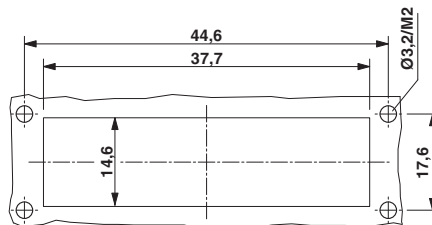


D-SUB panel mounting frame

D-SUB sleeve housings

D-SUB connector set - VS-09-SET-EMV - 1689158

Dimensional drawing



Mounting cutout

Classifications

eCl@ss

eCl@ss 4.0	27140816
eCl@ss 4.1	27260701
eCl@ss 5.0	27260701
eCl@ss 5.1	27261200
eCl@ss 6.0	27261200
eCl@ss 7.0	27440302
eCl@ss 8.0	27440302
eCl@ss 9.0	27440302

ETIM

ETIM 2.0	EC000437
ETIM 3.0	EC000437
ETIM 4.0	EC001132
ETIM 5.0	EC001132
ETIM 6.0	EC001132

UNSPSC

UNSPSC 6.01	31261501
UNSPSC 7.0901	31261501
UNSPSC 11	31261501
UNSPSC 12.01	31261501
UNSPSC 13.2	39121522

Approvals

Approvals

Approvals

EAC

D-SUB connector set - VS-09-SET-EMV - 1689158

Approvals

Ex Approvals

Approval details

EAC		B.01742
-----	---	---------

