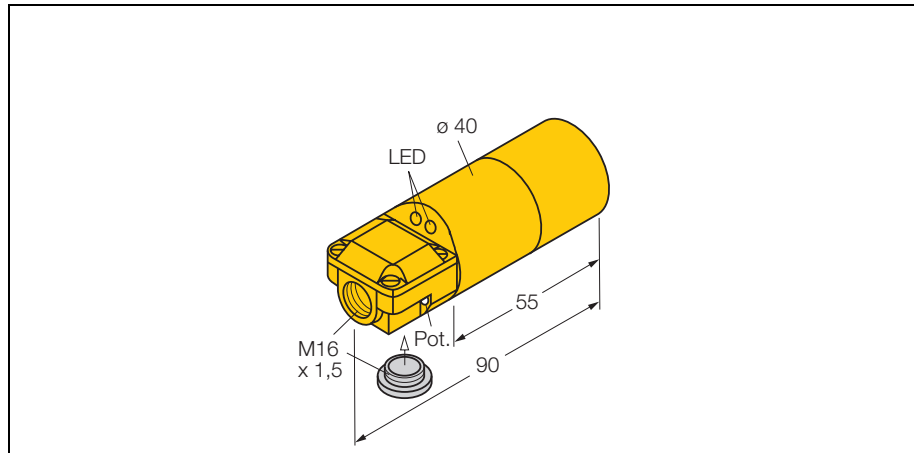


capacitive sensor BC20-K40SR-FZ3X2

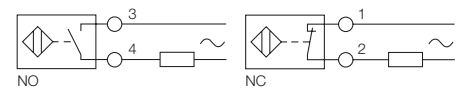
TURCK

Industrial
Automation



- 2 cable entries (axial, radial)
- smooth barrel, 40 mm diameter
- plastic, ABS
- fine adjustment via potentiometer
- AC 2-wire, 20...250 VAC
- connection programmable (n.c./n.o.)
- Terminal chamber

Wiring diagram



Capacitive proximity switches are designed for non-contact and wear-free detection of metal (electrically conductive) and non-metal (electrically non-conductive) objects.

Type	BC20-K40SR-FZ3X2
Ident-No.	23103
Rated operating distance Sn	20 mm, flush mounting
Rated operating distance Sn	30 mm, non-flush mounting
Hysteresis	2... 20 %
Temperature drift	≤ ± 20 %
Repeatability	≤ 2 %
Ambient temperature	-25...+ 70 °C
Operating voltage	20... 250VAC
AC rated operational current	≤ 500 mA
Frequency	50... 60 Hz
Smallest operating current I _m	≥ 5 mA
Residual current	≤ 1.7 mA
Switching frequency	≤ 0.02 kHz
Rated insulation voltage	≤ 1.5 kV
Output function	2-wire, connection programmable
Voltage drop at I _e	≤ 7V
Housing	smooth barrel, 40 mm
Dimensions	90 mm
Housing material	plastic, ABS
Material active face	plastic, ABS
Connection	Terminal chamber
Clamping ability	≤ 2.5mm ²
Vibration resistance	55 Hz (1 mm)
Shock resistance	30g (11 ms)
Degree of protection	IP67
Operating voltage display	LED green
Display switch state	LED yellow
Included in scope of supply	BS40, cable gland, blanking plug

capacitive sensor
BC20-K40SR-FZ3X2

TURCK

Industrial
Automation

Accessories

Type code	Ident-No.	Short text	Dimension drawing
MAP-K40	6950014	mounting adapter; material: Polypropylene; sensor replacement with filled container possible (adapter remains in container during sensor replacement)	
BS40	69466	fixing clamp; material mounting block: PBT	