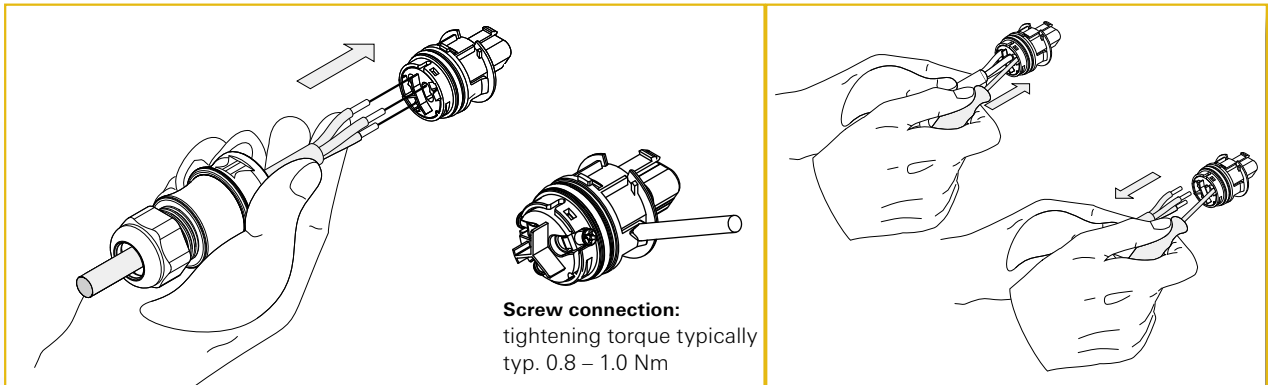


Mounting instructions RST20i2...i3

Connector mounting

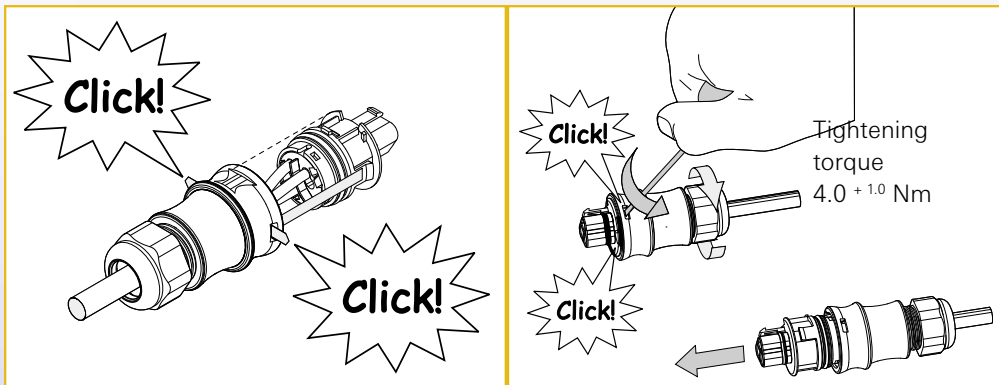
Connect the wires ...

... and disconnect them



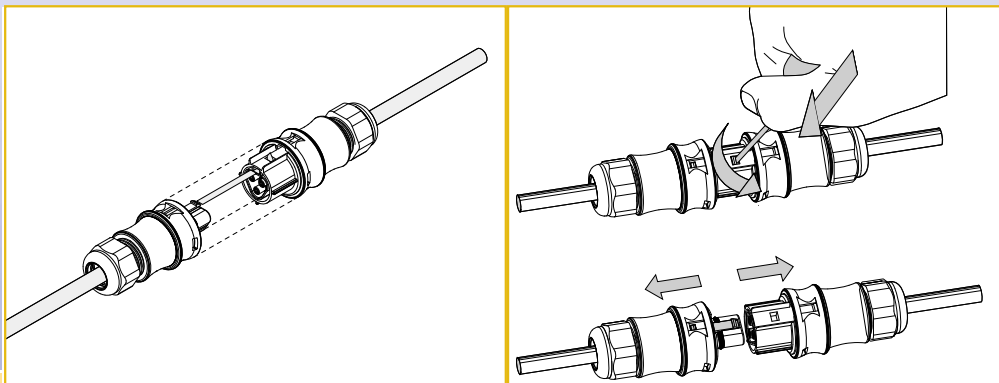
Close the connector ...

... and open it

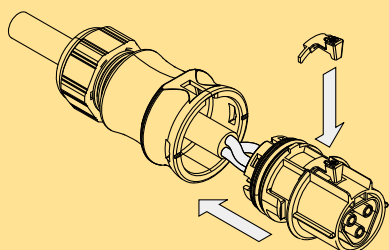


Lock the housing ...

... and unlock it



How to insert the (optional) manual disconnect tool into the connector
(only possible for the female connector)



The manual disconnect tool* can be used as an alternative and enables disconnecting without a tool.

* Note:
Connections with manual disconnect tool are not approved according to VDE 0606 (fixed installations, for example in buildings). The VDE 0627 regulation will still apply nevertheless. Also see the "Installation instructions"!

The descriptions on this page merely serve as an overview. For assembly and installation, only the installation instructions supplied together with the products are binding.

