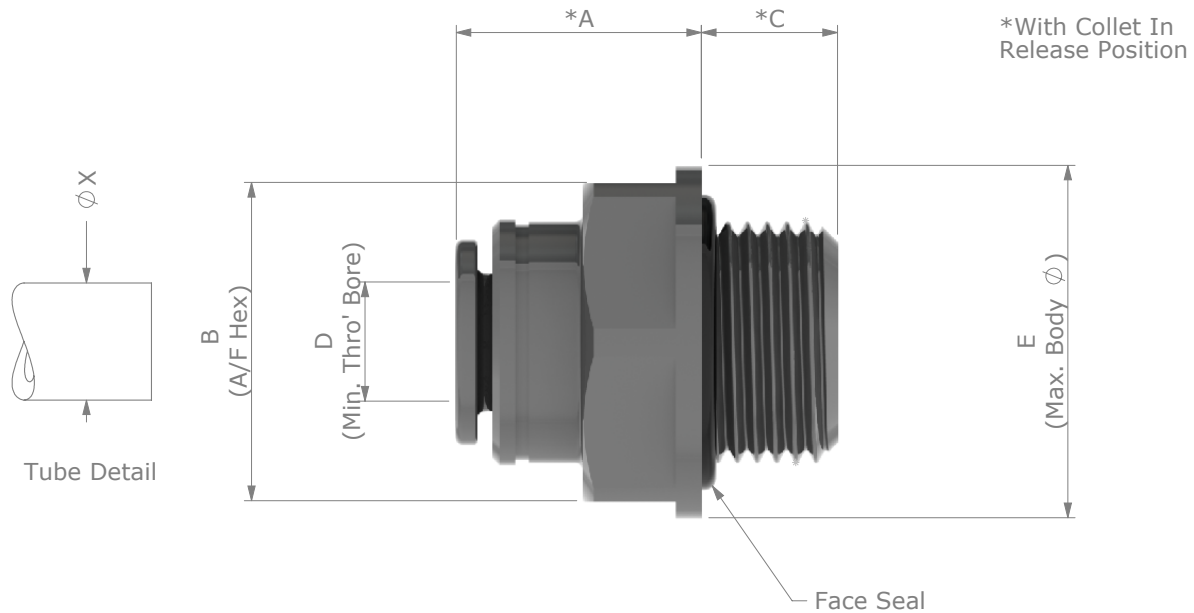


BSP Parallel Straight Adaptor (P Range)

The John Guest Straight Adaptor has been developed in various sizes for a wide range of applications including potable liquids, foodstuffs and air.



See page 2 for dimensions

Parts List

Part Description	Material	Part Description	Material
Body	Acetal Co-Polymer (Unfilled), Black	'O' Ring	Nitrile, Black
Collet	Acetal Co-Polymer (Unfilled), Black & Stainless Steel	Thread Seal	Nitrile, Black

Technical Information

Working Pressures & Temperatures	Applications
4-8mm Air -20 °C @ 16 Bar Liquid & Air +1 °C @ 16 Bar, +23 °C @ 16 Bar, +70 °C @ 10 Bar 10-22mm Air -20 °C @ 10 Bar Liquid & Air +1 °C @ 10 Bar, +23 °C @ 10 Bar, +70 °C @ 7 Bar	Drinks Dispense ✓ Potable Water ✓ Pneumatics ✓

The Copyright in this drawing and the products referred thereon belong to John Guest International Limited and this drawing nor the information contained herein shall be produced in any form or used for any purpose without written consent © 2012

The company has a policy of continuous research and development and reserves the right to amend without notice the specification and design of all products illustrated. For details of Terms and Conditions and any other technical enquiries, please contact our Customer Services Department on 01895 449233. Alternatively, call our Technical Helpdesk on 01895 423333

Product No.	Description	Pipe ϕ		A	B	C	ϕ D	ϕ E	
		ϕ X	Tolerance						
PM010411E	4mm x 1/8 BSP	4	+0.05 -0.07	17	14	5.5	2.5	15	
PM010412E	4mm x 1/4 BSP			16	17	8.0	2.5	18	
PM010511E	5mm x 1/8 BSP	5		17	14	5.5	3.5	15	
PM010512E	5mm x 1/4 BSP			16	17	8.0	3.5	18	
PM010611E	6mm x 1/8 BSP	6		+0.05 -0.10	20	15	5.5	4.0	16
PM010612E	6mm x 1/4 BSP				16	17	8.0	5.0	18
PM010811E	8mm x 1/8 BSP	8	16		17	5.5	4.0	18	
PM010812E	8mm x 1/4 BSP		16		17	8.0	6.0	18	
PM010813E	8mm x 3/8 BSP		16		22	9.5	6.5	24	
PM011012E	10mm x 1/4 BSP	10	23		20	8.0	7.0	22	
PM011013E	10mm x 3/8 BSP		19		22	9.5	7.5	24	
PM011014E	10mm x 1/2 BSP		18		27	12.5	7.5	30	
PM011213E	12mm x 3/8 BSP	12	21		24	9.5	8.5	26	
PM011214E	12mm x 1/2 BSP		22		27	12.5	8.5	30	
PM011514E	15mm x 1/2 BSP		15		26	27	12.5	12.0	30

Dimensions in mm