

Powerful capability

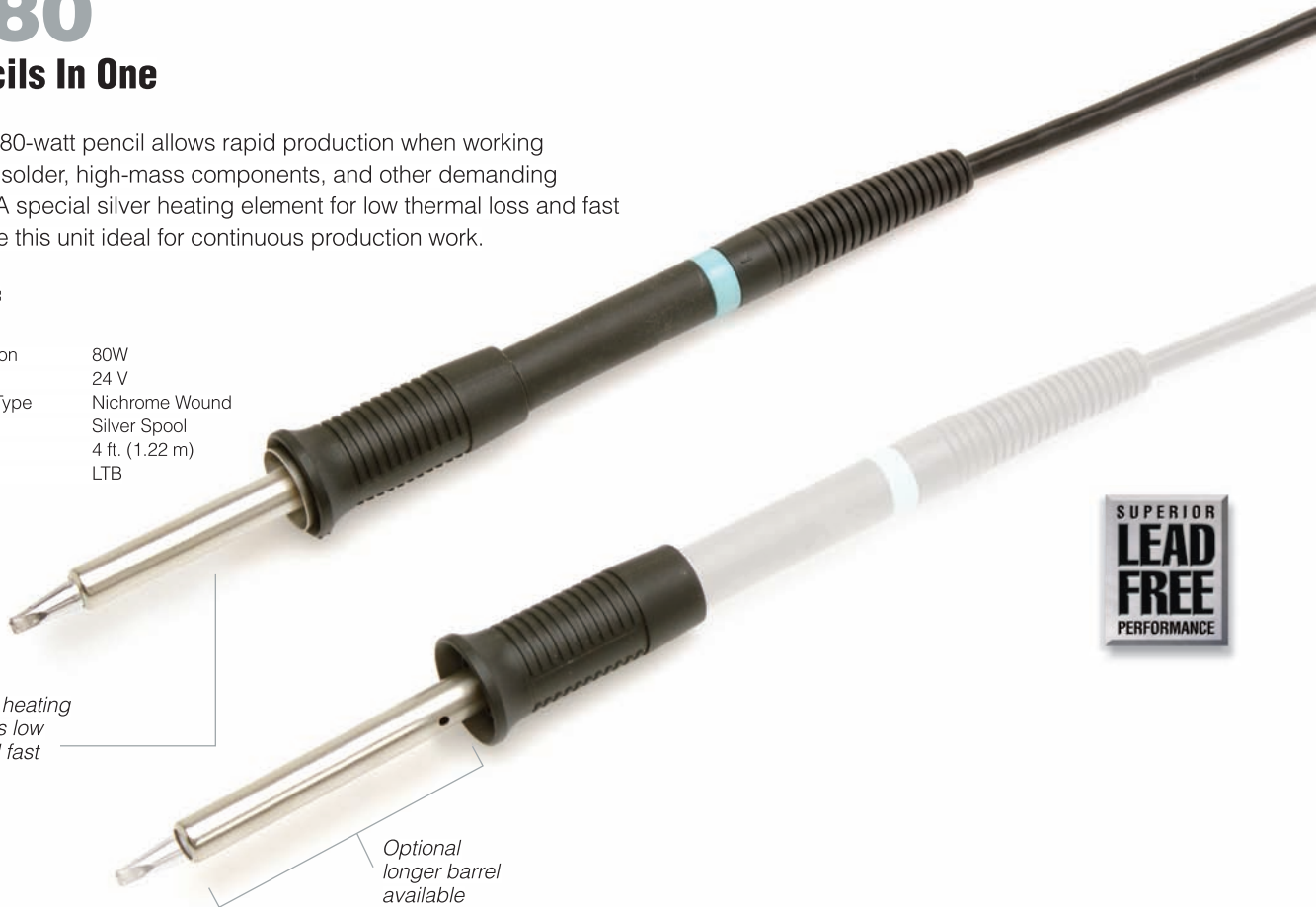
Another Weller breakthrough—Powerful 80-watt performance combined with a new shorter handle

WP80 Two Pencils In One

This powerful 80-watt pencil allows rapid production when working with lead-free solder, high-mass components, and other demanding applications. A special silver heating element for low thermal loss and fast recovery make this unit ideal for continuous production work.

Specifications:

WP80 Pencil	
Power Consumption	80W
Voltage	24 V
Heating Element Type	Nichrome Wound Silver Spool
Cord Length	4 ft. (1.22 m)
Supplied Tip	LTB



WMP The accuracy and economy champ

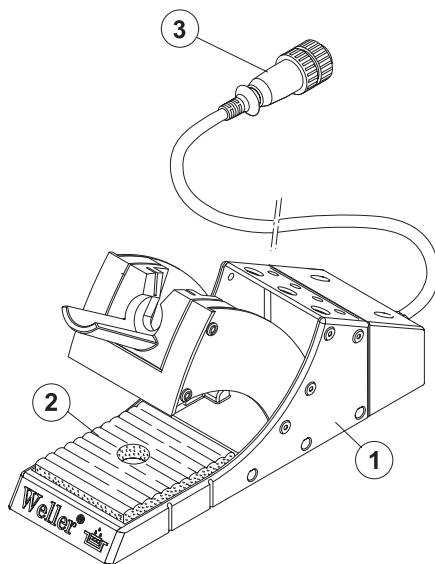
With a tip-to-grip distance of just 37 mm, accuracy is unsurpassed. And the WMP heating element is built into the pencil, not the tip, so replacement tips cost substantially less. This pencil offers super fast heat-up and superior thermal recovery for fast, efficient soldering.

Specifications:

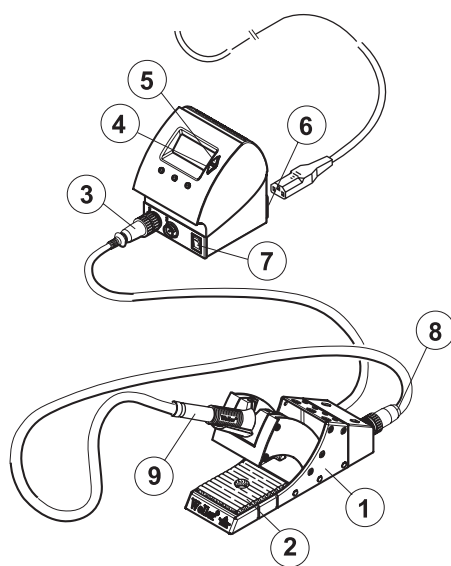
WMP Pencil	
Power Consumption	65 W
Voltage	24 V
Heating Element Type	Nichrome Wound Silver Spool
Cord Length	4 ft. (1.22 m)
Supplied Tip	NT1



Equipment Overview



Connection Instructions:



- 1 Switching Tool Stand
- 2 Sponge
- 3 Switching Tool Stand Plug
- 4 Down Scroll Key
- 5 Up Scroll Key
- 6 Receptacle 120 VAC
- 7 Power Switch
- 8 Soldering Iron Plug
- 9 Soldering iron

Thank you for placing your trust in our company by purchasing the Weller WDH 10T / WDH 20T Switching Tool Stand.

This product meets or exceeds the requirements established by Weller for superior performance, versatility and quality.

1. Cautions! / Warnings!

Please read these Operating Instructions and the attached Safety Information carefully prior to initial operation. Failure to observe the safety warnings may result in accident, injury, or risk to health.

The manufacturer shall not be liable for damage resulting from misuse of the machine or unauthorized alterations.

Warning: This product when used for soldering and similar applications, produces chemicals known to the State of California to cause cancer and birth defects or other reproductive harm.

Safety Information:

- ⓘ Always place the soldering iron in its original holder
- ⓘ Remove all inflammable objects from the proximity of the hot soldering tool.
- ⓘ Use suitable protective clothing to prevent the risk of burns associated with molten solder.
- ⓘ Never leave a soldering/desoldering tool unattended.
- ⓘ Never work on electrically live circuits or components.
- ⓘ Always wear eye protection when working with soldering and desoldering applications.

The Weller WDH 10T / WDH 20T Switching Tool Stand corresponds to the EC Declaration of Conformity in accordance with the basic safety requirements of Directives 89/336/EEC and 73/23EEC.

1.1 Additional Documents

- Operating Instructions of your control unit including the accompany booklet on Safety Instructions
- Operating Instructions of your soldering tool

1.2 Intended use

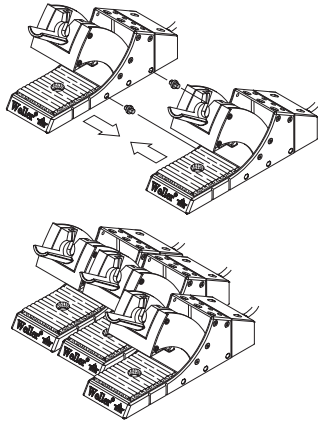
Always use the Switching Tool Stand WDH 10T / WDH 20T exclusively for placing the listed Sodering Tool, (See Technical Data) as specified in these Operating Instructions. Specified use of the Switching Tool Stand WDH 10T / WDH 20T also includes:

- observance of these Operating Instructions,
- observance of all other accompanying documentation,

- observance of the locally applicable accident prevention regulations.

The manufacturer shall not be liable for damage resulting from unauthorized alterations to the device.

2 Description



The Weller WDH 10T / WDH 20T Switching Tool Stand, as opposed to a standard Tool Stand, provides a switching function that is activated by the soldering station. A microswitch integrated in the Switching Tool Stand is actuated when the soldering tool is placed in the holder or removed.

When the Switching Tool Stand is placed into a **Digital Weller Soldering Station** the Tool Stand and the Temperature SETBACK functions are automatically detected.

Several Switching Tool Stands can be connected together at the side.

Technical Data WDH 10T / WDH 20T

Dimensions	L x W x H (inches): 8.189 x 2.56 x 4.53 L x W x H (mm): 208 x 65 x 115
Weight	1.52 lb. (0.69 kg)
Matching soldering tools	WDH 10T: WP80, WSD161, WSD151, WSP80 WDH 20T: WMP
Compatible control units	WSD81, WSD161, WDD81V, WSL, WSL2, WAD101, WMRS, WRS1002, WRS3000, WD1, WD2, WD1M, WD2M, WR 3M

3 Placing into Operation

WARNING! Risk of burns when working with soldering tools

There is a risk burning if you touch the hot soldering tool.

- ▷ Always place the soldering iron in the Switching Tool Stand.

1. Carefully unpack the Switching Tool Stand.
2. Ensure that the soldering station to be connected to is off.
3. Insert the 7-pin plug (3) of the Switching Tool Stand connecting cable at the soldering station tool receptacle and lock it by turning clockwise slightly.

4. Place the soldering iron (9) in the Switching Tool Stand (1) and insert the soldering iron 7-pin plug (8) into the Switching Tool Stand receptacle and lock it by turning clockwise slightly.
5. Switch on the soldering station (7).

4 Operating Guidelines

4.1 Temperature decrease (SETBACK) and automatic switch-off time (AUTO-OFF) with connected Switching Tool Stand

The SETBACK time and AUTO-OFF time can be set at the control unit (WD1, WD2, WD1M, WD2M and WR 3M units), or are permanently specified (WSD and WRS units).

After placing the soldering tool in the Switching Tool Stand, the temperature decreases and/or the system shuts down, depending on the setting at the control unit. The respective switching action is displayed in the following table.

Tab. 1. Temperature and switch-off action of the control units WD1, WD2, WD1M, WD2M,

Tab. 2. WR 3M, WSD and WRS with different settings of the SETBACK and AUTO-OFF functions

Possible settings at the control unit ¹⁾		Temperature switching action after placing the soldering tool in the Switching Tool Stand
SETBACK time [1-99 mins]	OFF time [1-999 mins]	
0	0	The soldering tool is switched off in the holder ²⁾ .
ON	0	The soldering tool is regulated in the holder ²⁾ down to STANDBY temperature ³⁾ .
0	Time	The soldering tool is switched off in the holder ²⁾ after the OFF time has elapsed.
ON	Time	The soldering tool is regulated in the holder ²⁾ down to the STANDBY temperature ³⁾ and is switched off after the OFF time has elapsed.
Time	0	The soldering tool is regulated in the holder ²⁾ down to STANDBY temperature ³⁾ after the SETBACK time has elapsed.
Time	Time	The soldering tool is regulated in the holder ²⁾ down to the STANDBY temperature ³⁾ after the SETBACK time has elapsed and is switched off after the OFF time has elapsed.

¹⁾ With the WSD and WMD devices, only the settings 0/0 and ON/TIME are possible, whereby the respective time values for SETBACK (20 minutes) and AUTO-OFF (60 minutes) are permanently specified. With these device types, deviating SETBACK times are only possible with the external input device WCB2.

²⁾ Outside the Switching Tool Stand, the soldering tool always remains at the set specified temperature. The holder function is activated after the first time the soldering tool is deposited.

³⁾ The STANDBY temperature must be below the set specified temperature; otherwise the SETBACK function is inactive.

Note Observe the Operating Instructions of your control unit when setting and switching the SETBACK and AUTO-OFF functions on and off.

4.2 Switching valve control with Switching Tool Stand on/off (WAD101)

When operating a soldering iron with inert gas and when using the Switching Tool Stand, the valve control must be set at the WAD 101 control unit. Two switching conditions are possible:

- **A-1:** the valve control is switched on. The valve is activated by the Switching Tool Stand with the ON/OFF function. In this operating condition, the SETBACK function "OFF" is not available.
- **A-0:** the valve control is switched off. The SETBACK function is available without restrictions.

Note Observe the Operating Instructions of your control unit when setting the valve control function.

5 WDH 10T / WDH 20T: maintenance and care

The sponge should be cleaned regularly to remove solder residue using distilled water only.

6 Fault messages and corrective actions

Message/Symptom	Possible cause	Corrective measures
Soldering iron does not switch off after being placed in the holder	SETBACK time on the soldering station is activated	Soldering iron only switches off after the set time: ▷ Set the SETBACK time on the soldering station to 0.
	The holder is not correctly connected	▷ Check connecting cable - Holder cable to soldering station - Soldering iron to holder
Soldering iron no longer switches on after removal from holder	Movable funnel or shift linkage is jammed	Check funnel and shift linkage

7 Accessories

Dry cleaning insert WDC 2, 0051512599

Spiral wool, 0051382599

8 Packing List

WDH 10T

- 0051516199 Switching Tool Stand WDH 10T
- Operating Instructions WDH 10T / WDH 20T

WDH 20T

- 0051516299 Switching Tool Stand WDH 20T
- Operating Instructions WDH 10T / WDH 20T

9 Disposal

Dispose of replaced equipment parts, filters or old devices in accordance with the rules and regulations applicable in your country.

10 Warranty

Cooper Hand Tools warrants to the original purchaser and any subsequent owner (“Buyer”) that Weller soldering and desoldering products will be free from defects in material and workmanship for a period of **one year** from date of purchase, provided that no warranty is made with respect to products which have been altered, subjected to abuse or improperly used, installed or repaired. Use of non-Cooper Hand Tools components will void this warranty if a non-Cooper Hand Tools component is defective (or is the source of the defect). Cooper Hand Tools will repair or replace products found to be defective not caused by a part, component or accessory manufactured by another company, during the warranty period. Contact Cooper Hand Tools with dated proof of purchase and return to Cooper Hand Tools, 1000 Lufkin Road, Apex, NC 27539. All costs of transportation and reinstallation shall be borne by Buyers.

IN NO EVENT SHALL COOPER HAND TOOLS BE LIABLE FOR INCIDENTAL OR CONSEQUENTIAL DAMAGES. COOPER HAND TOOLS LIABILITY FOR ANY CLAIMS ARISING OUT OF THIS WARRANTY SHALL NOT EXCEED THE PURCHASE PRICE OF THE PRODUCT.

THE PERIOD OF ALL IMPLIED WARRANTIES APPLICABLE TO THIS PRODUCT INCLUDING ANY IMPLIED WARRANTY OF MERCHANTABILITY OR FITNESS, OR FITNESS FOR A PARTICULAR PURPOSE IS LIMITED TO 12 MONTHS FROM THE DATE OF PURCHASE BY THE USER.

Some states do not allow the exclusion or limitation of incidental or consequential damages, so the above limitation or exclusion may not apply to you. Some states do not allow limitation on how long an implied warranty lasts, so the above limitation may not apply to you.

This warranty gives you specific legal rights, and you may also have other rights, which vary, from state to state.

www.Cooperhandtools.com

Weller is a registered Trademark and registered Design of Cooper Industries, Inc.

U.S Mailing Address:

**Cooper Hand Tools
P.O. Box 728
Apex, NC 27502-0728**

U.S Shipping Address:

**1000 Lufkin Road
Apex, N.C. 27539
Tel: (919) 387-0099
Fax: (919) 387-2379**

For inquiries concerning Technical /

Customer Service please call:

(800) 476-3030 Ext. 1

Canada Shipping Address:

**Cooper Tools
164 Innisfil Street
Barrie, Ontario
Canada L4N 3B7
Attn: Repairs
Fax: 1-800-403-TOOL (8665)
Phone: 705-728-5564 Ext. 2026**

005 XX XXX XX / 03.07 © 2007 Cooper Industries