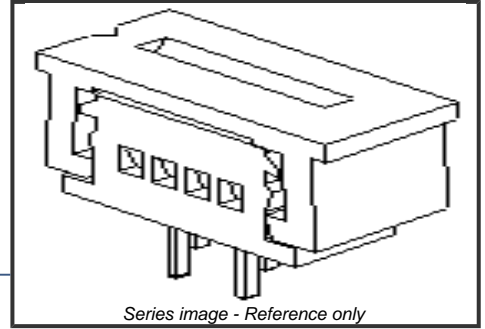




Part Number: 0039532205

Status: Active

Description: 1.25mm (.049") Pitch FFC/FPC Connector, Through-Hole, Vertical, ZIF, 20 Circuits, Lead-free



Series image - Reference only

Order Products:

[Check Distributor Inventory](#) [Request Samples](#)

Part Detail: [\(show all\)](#)

[General](#) [Physical](#) [Electrical](#) [Material Info](#) [Reference - Drawing Numbers](#)

General

Product Family FFC/FPC Connectors
 Series [5597](#)
 Product Name N/A

EU RoHS

China RoHS

ELV and RoHS Compliant



[5597 Series](#)

Physical

Circuits (Loaded) 20
 Color - Resin Natural
 Contact Position N/A
 Durability (mating cycles) min 30 cycles
 Entry Angle Vertical
 Flammability 94V-0
 Mated Height Inches 0.295 In
 Mated Height mm 7.50 mm
 Material - Metal Phosphor Bronze
 Material - Plating Mating Tin-Bismuth
 Material - Plating Termination Tin-Bismuth
 Material - Resin Polyester
 Number of Rows 1
 Orientation Vertical
 PC Tail Length (in) 0.138 In
 PC Tail Length (mm) 3.50 mm
 PCB Locator No
 PCB Retention None
 Packaging Type Tray
 Pitch - Mating Interface (in) 0.049 In
 Pitch - Mating Interface (mm) 1.25 mm
 Plating min: Mating (uin) 40
 Plating min: Mating (um) 1
 Plating min: Termination (uin) 40
 Plating min: Termination (um) 1
 Polarized to PCB No
 Stackable No
 Surface Mount Compatible (SMC) No
 Temperature Range - Operating -20°C to +80°C
 Termination Interface: Style Through Hole
 Wire/Cable Type FFC/FPC

Electrical

Current - Maximum 1.00 Amp
 UL E29179
 Voltage - Maximum 200V

Material Info

Old Part Number 5597-20CPB7F