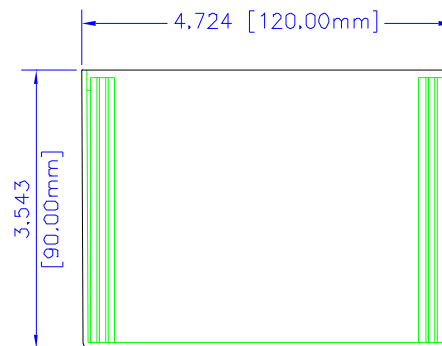
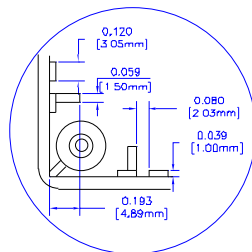
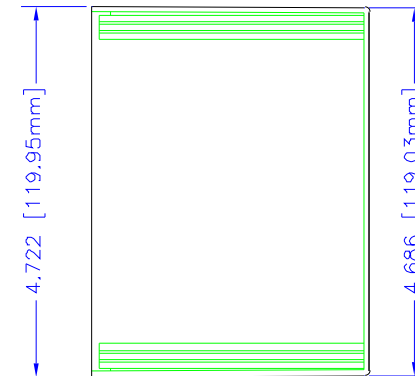
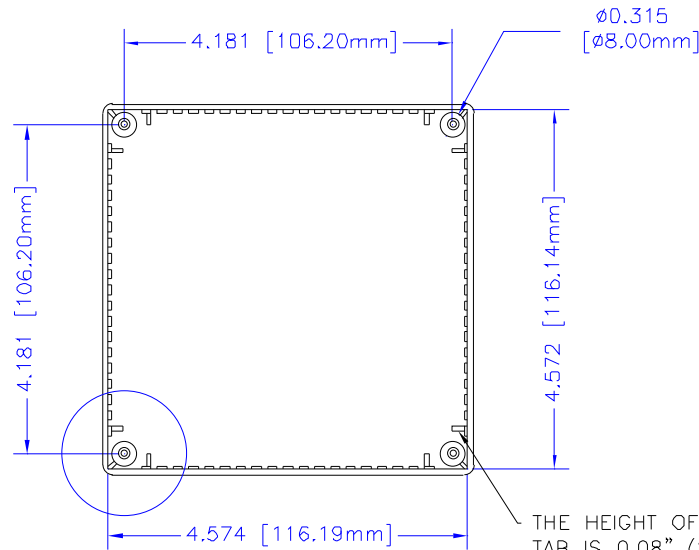
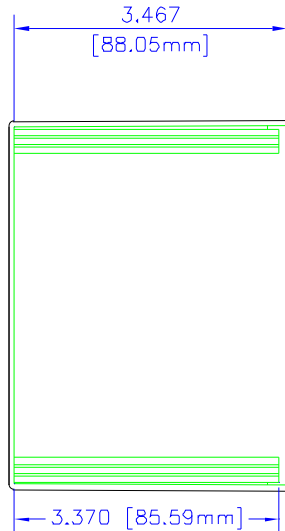
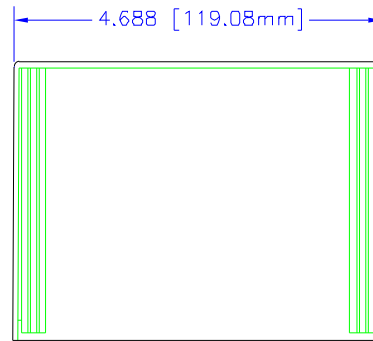


NOTES

- MATERIAL** (ABS) FLAME RETARDANT UL94 VO MATERIAL WITH BRASS INSERTS IN CORNER POSTS.
(STYRENE) IS NON-FLAME RETARDANT WITHOUT BRASS INSERTS.
- PARTS** (ABS) VERSION MACHINE SCREWS M3-0.5 x 10mm.
REPLACEMENT PN 1591MS100 (100 / BAG). (STYRENE) VERSION SELF TAPPING #4 x 0.5".
REPLACEMENT PN 1599TS100BK (100 / BAG).
- COLORS** (ABS) BLACK, GRAY, BLUE, & BEIGE, (STYRENE) BLACK ONLY.



BOX

UNLESS OTHERWISE SPECIFIED
DIMENSIONS ARE IN INCHES
XX +/- .1
XXX +/- .06
CUTS +/- .015
ANGLES +/- .5 DEG
NOTES
HAMMOND CLAIMS PROPRIETARY RIGHTS TO THE MATERIAL ON THIS DRAWING. IT IS INTENDED TO BE USED AS A REFERENCE FOR ENGINEERING INFORMATION ONLY. THIS INFORMATION MAY NOT BE USED TO MANUFACTURE PRODUCT WITHOUT WRITTEN PERMISSION FROM HAMMOND MANUFACTURING.



HAMMOND
MANUFACTURING

WEB: WWW.HAMMONDMFG.COM

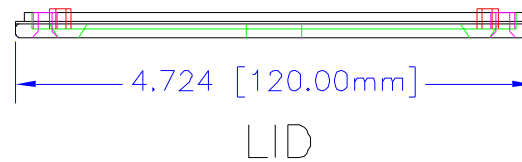
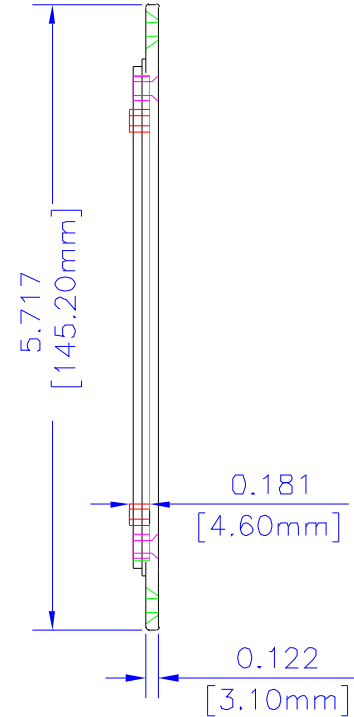
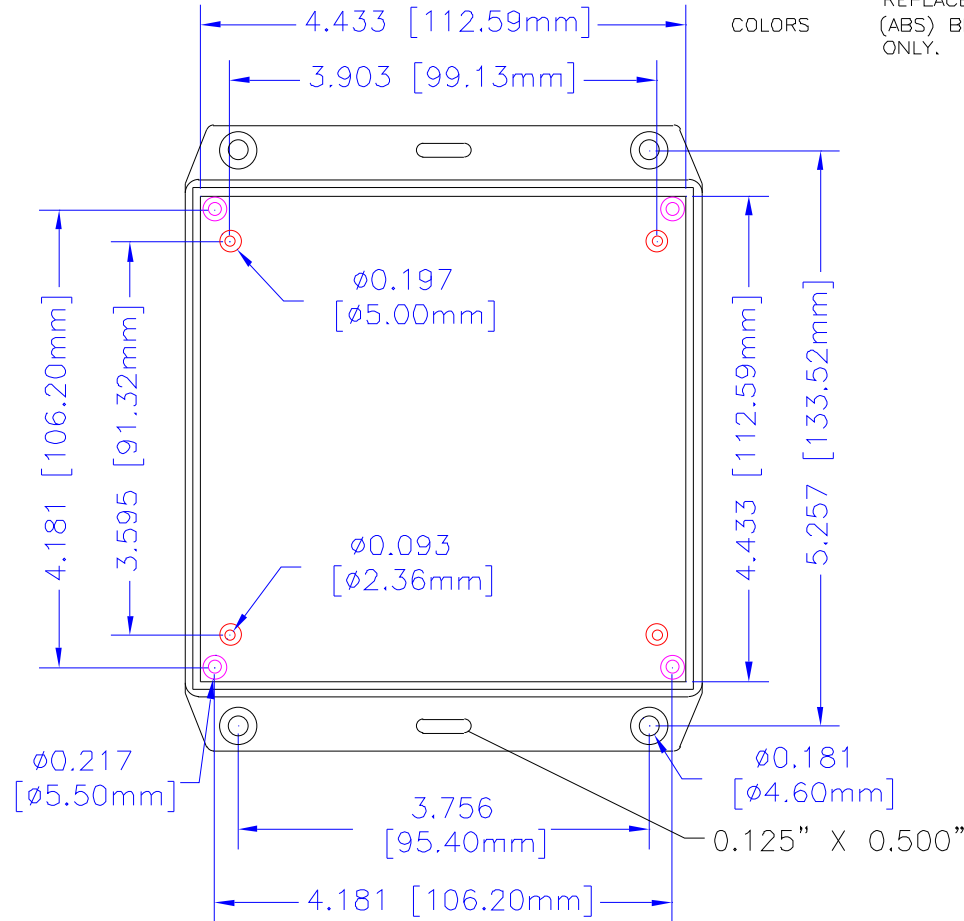
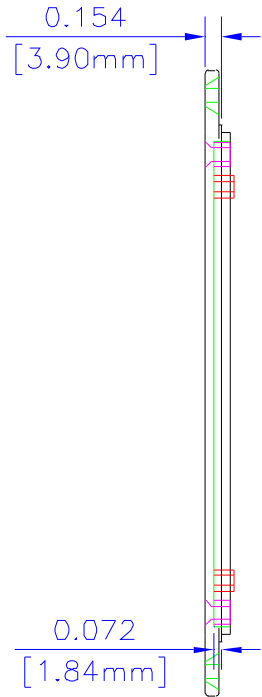
TITLE		HAMMOND 1591 SERIES PLASTIC ENCLOSURE	
DRAWN BY	MJM	DATE	01/26/01
SCALE		PAGE	1 OF 2
PART NUMBER	1591VFL		

NOTES

MATERIAL (ABS) FLAME RETARDANT UL94 V0 MATERIAL WITH BRASS INSERTS IN CORNER POSTS.
 (STYRENE) IS NON-FLAME RETARDANT WITHOUT BRASS INSERTS.

PARTS (ABS) VERSION MACHINE SCREWS M3-0.5 x 10mm.
 REPLACEMENT PN 1591MS100 (100 / BAG). (STYRENE) VERSION SELF TAPPING #4 x 0.5".
 REPLACEMENT PN 1599TS100BK (100 / BAG).

COLORS (ABS) BLACK, GRAY, BLUE, & BEIGE, (STYRENE) BLACK ONLY.



UNLESS OTHERWISE SPECIFIED
 DIMENSIONS ARE IN INCHES

X	+/- .1
XX	+/- .06
XXX	+/- .015
CUTS	+/- .009
ANGLES	+/- .5 DEC

NOTICE
 HAMMOND OWNS PROPRIETARY RIGHTS TO THE MATERIAL ON THIS DRAWING. IT IS INTENDED TO BE USED AS A REFERENCE FOR ENGINEERING INFORMATION ONLY. THIS INFORMATION MAY NOT BE USED TO MANUFACTURE PRODUCT WITHOUT WRITTEN PERMISSION FROM HAMMOND MANUFACTURING.



**HAMMOND
 MANUFACTURING**

WEB: WWW.HAMMONDMFG.COM

TITLE	
HAMMOND 1591 SERIES PLASTIC ENCLOSURE	
DRAWN BY	MJM
DATE	01/26/01
SCALE	2 OF 2
PART NUMBER	1591VFL