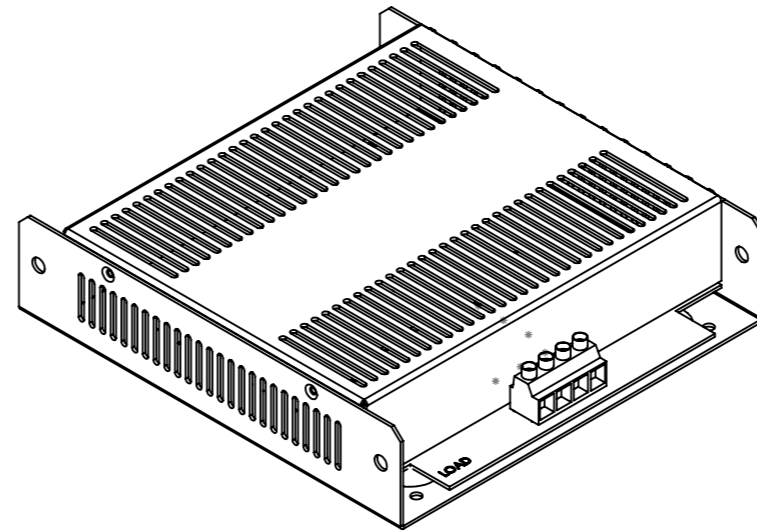
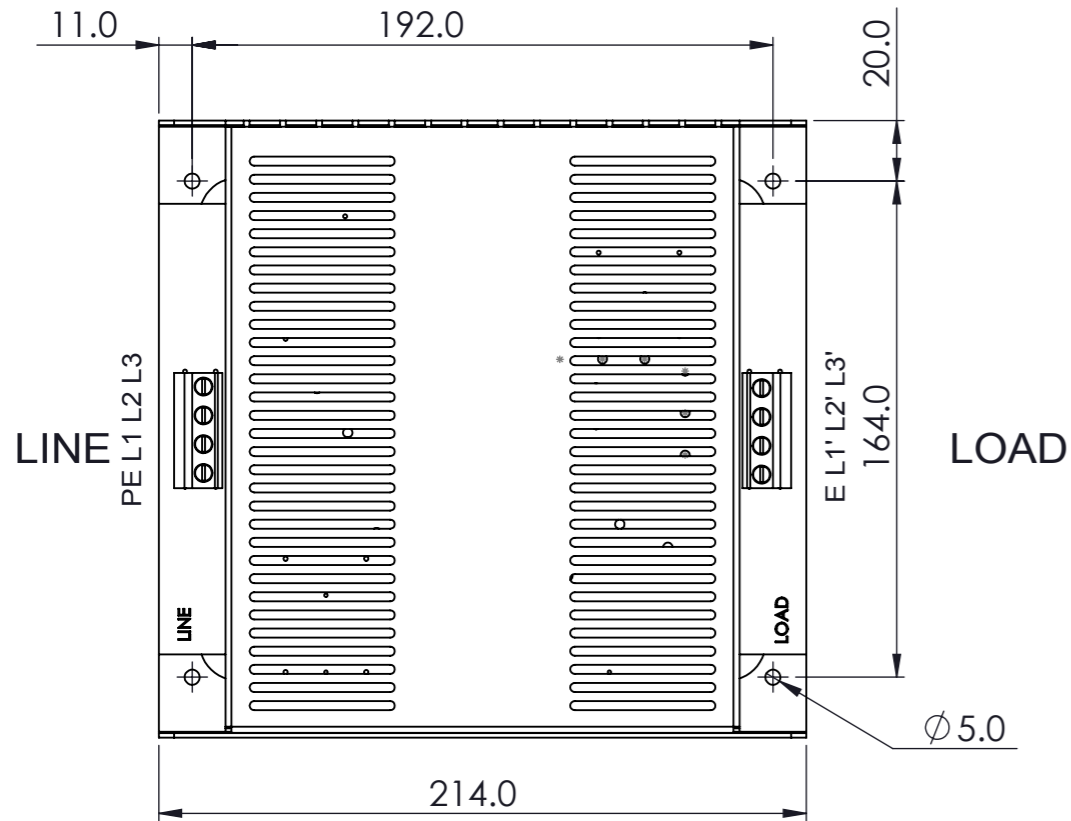


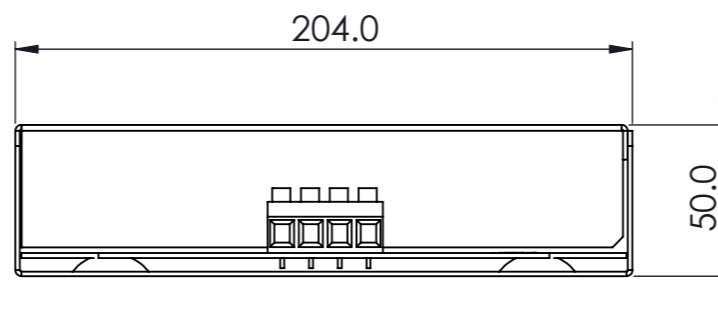
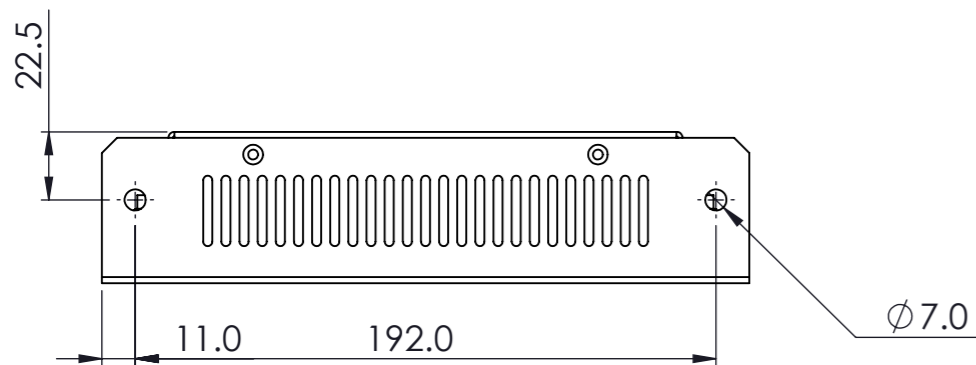
REV.	CNN	CNN DESCRIPTION	Date	Check in
04	-	BORDER CHANGE	02/02/2010	Shaun Barron

**RoHS**  
**2002/95/EC**  
**Compliant**



**SPECIFICATION**

VOLTAGE 500VAC  
 FREQUENCY 50/60Hz  
 CURRENT 23A @ 40 deg C  
 TEMPERATURE -25 TO 100 deg C  
 LEAKAGE CURRENT:-  
 AS PER IEC950 = 80mA @ 500V 50Hz  
 HUMIDITY 90% RH  
 VIBRATION 10-200Hz 1.8G  
 ELECTRIC STRENGTH 2250VAC/1min.  
 POWER LOSS (FULL LOAD) = 20W  
 TERMINALS 0.2-4sqmm (24-10AWG)  
 RECOMMENDED TORQUE 0.5-0.6Nm  
 WEIGHT 1.6kg  
 BACK MOUNTING 4x M4  
 SIDE MOUNTING 2x M6  
 METAL OXIDE VARISTORS L - E 660V



**CONSTRUCTION**

PERFORATED ALUMINIUM BODY FOR AIR COOLING  
 ALL COMPONENTS PCB MOUNTED

Tel No.+44(0)1724273200 Website www.dem-uk.com

**PROPRIETARY AND CONFIDENTIAL**  
 THE INFORMATION CONTAINED IN THIS DRAWING IS THE SOLE PROPERTY OF  
**ALPHA 3 MANUFACTURING**.  
 ANY REPRODUCTION IN PART OR AS A WHOLE WITHOUT THE WRITTEN  
 PERMISSION OF  
**ALPHA 3 MANUFACTURING** IS PROHIBITED.

UNLESS OTHERWISE SPECIFIED:  
 DIMENSIONS ARE IN MILLIMETRES  
 LINEAR TOLERANCE:  
**NO DECIMAL PLACES ±0.5mm**  
**1 DECIMAL PLACE ±0.25mm**  
**2 DECIMAL PLACES ±0.125mm**  
 ANGULAR TOLERANCE: ±1°



**DEM** Manufacturing, Deltron Emcon House  
 Hargreaves Way, Sawcliffe Ind. Park,  
 Scunthorpe, North Lincolnshire, DN15 8RF, UK

FINISH	.	DEBURR AND BREAK SHARP EDGES	DRAWN BY SW	IS	TITLE GENERAL SPECIFICATION FOR MIF323
			APPROVED BY		
			THIRD ANGLE PROJECTION	SHEET 1 OF 1	DRAWING NO. MIF323
				SCALE 1:2.5	ISSUE 04
MATERIAL	-			A3	Release
IF IN DOUBT ASK DO NOT SCALE DRAWING					