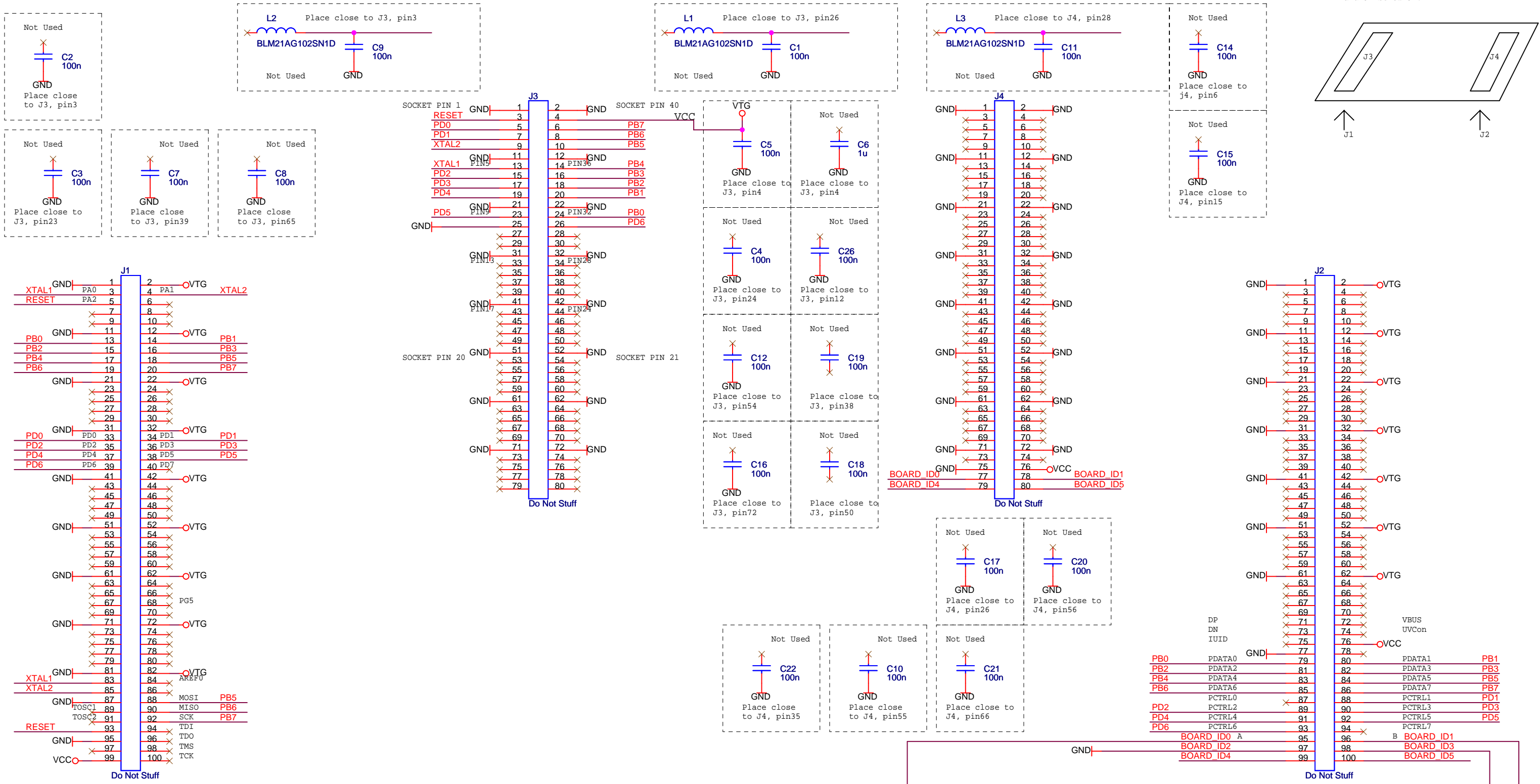
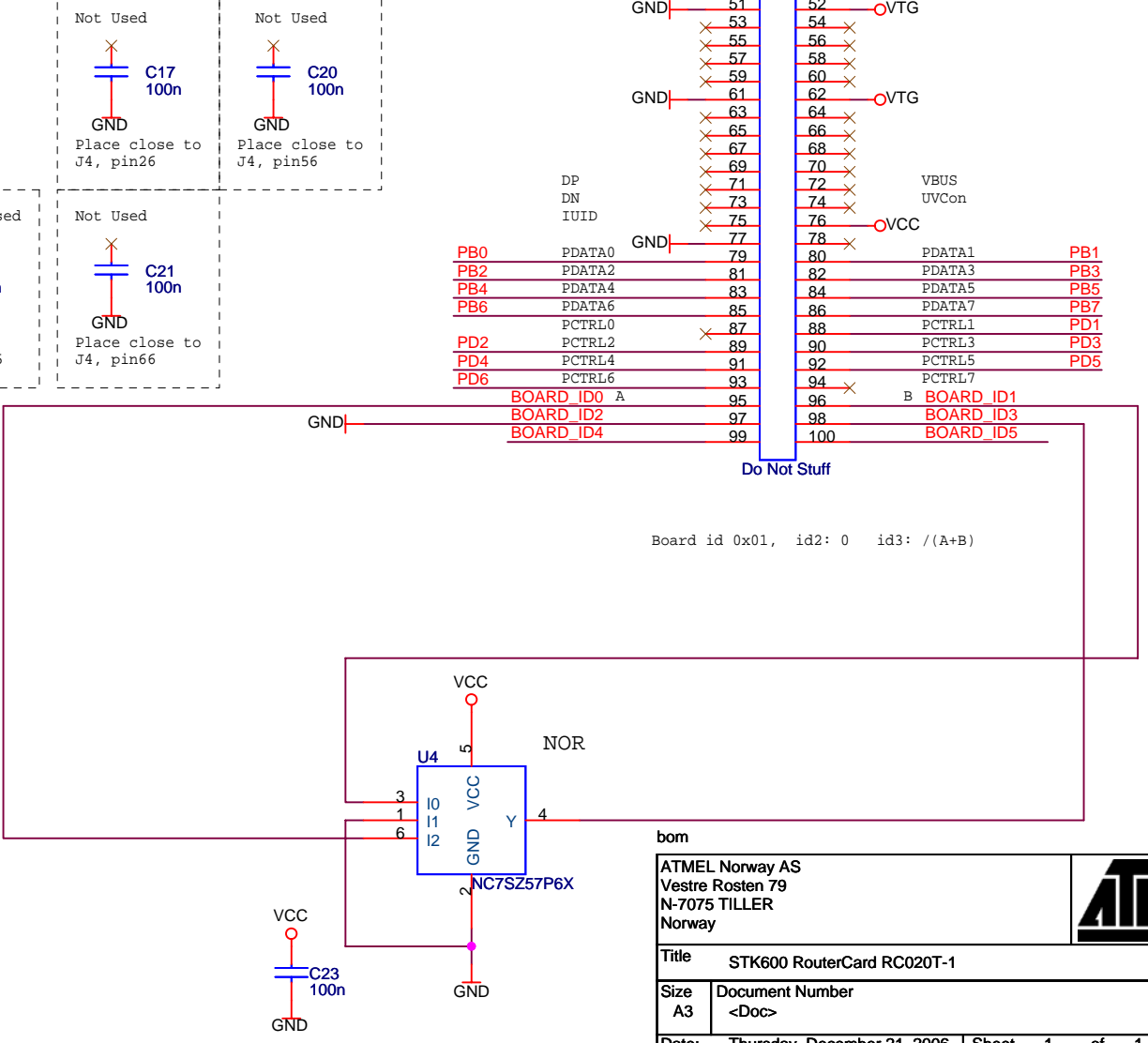
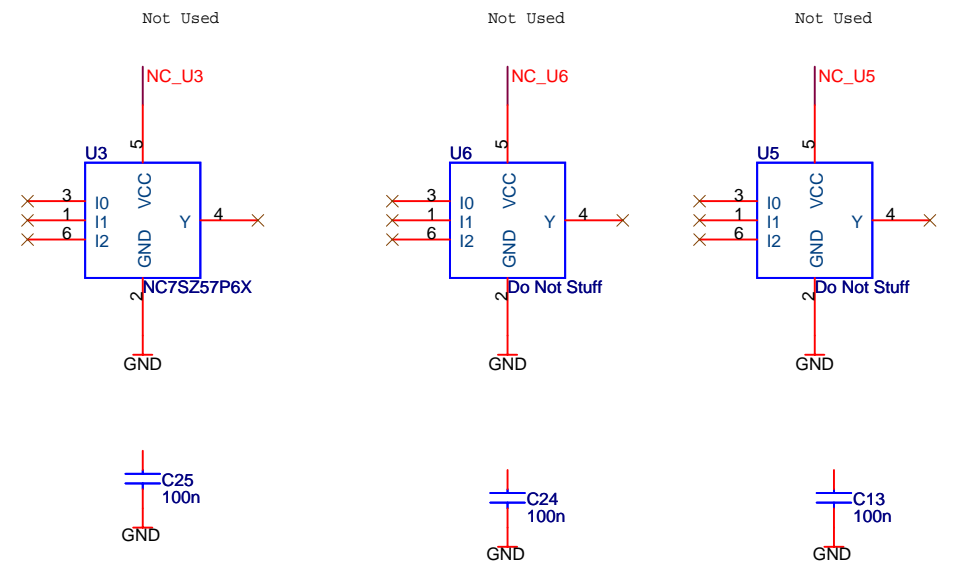
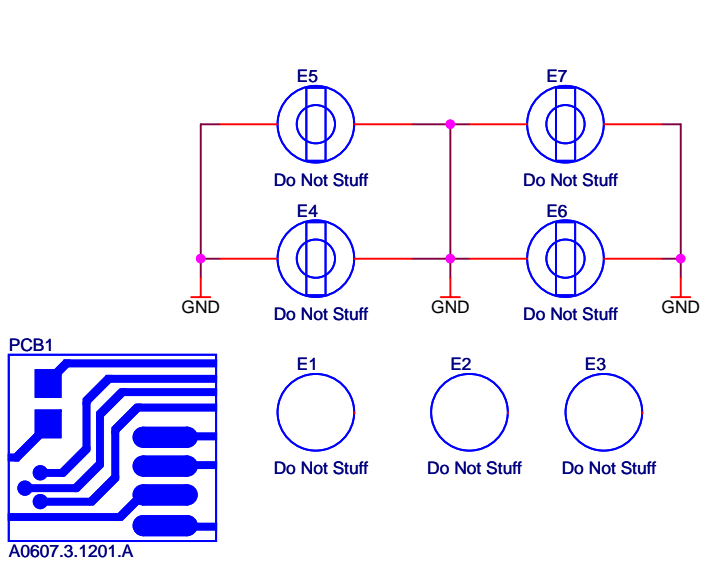
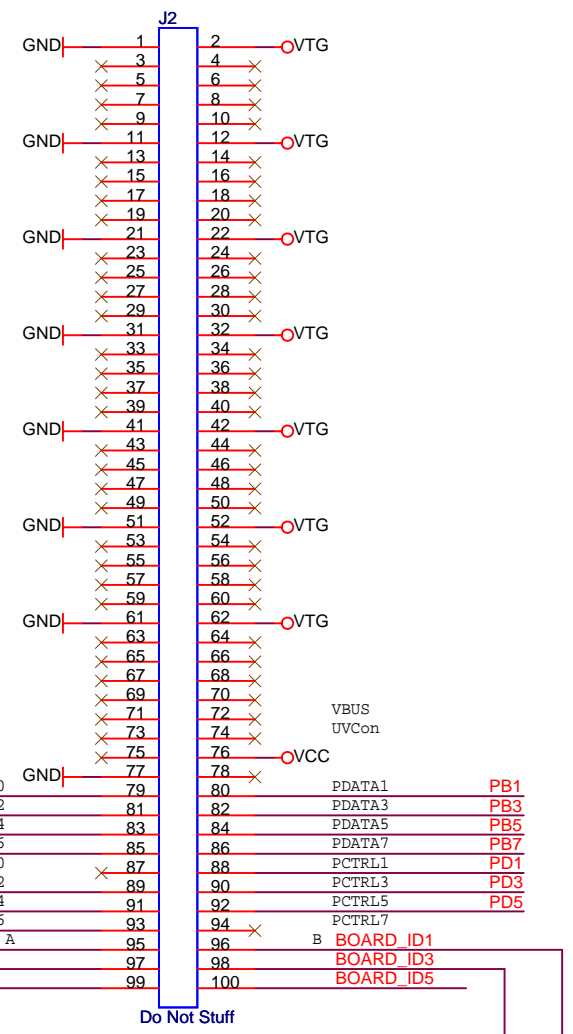
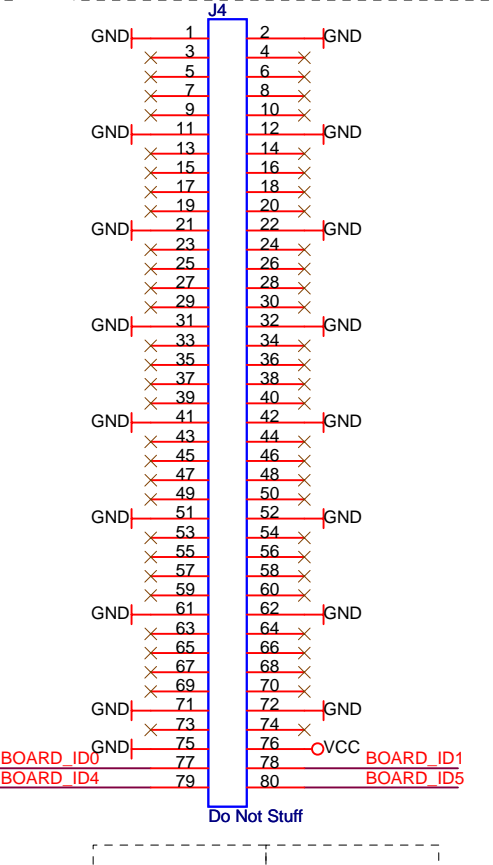
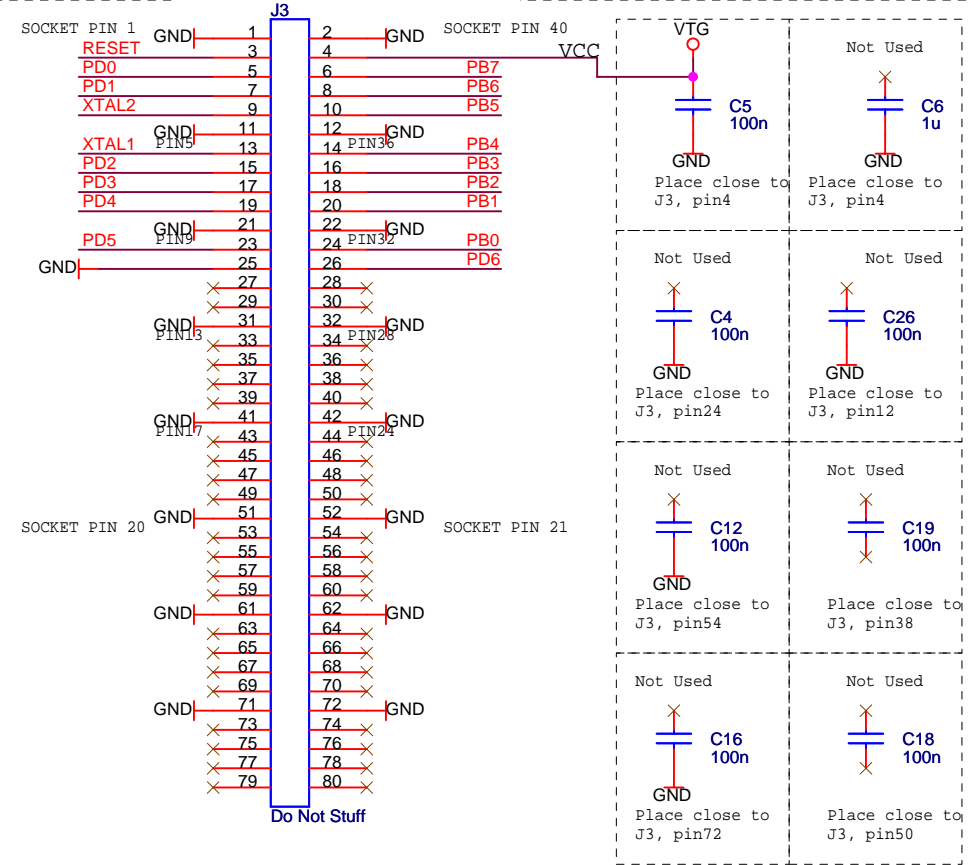
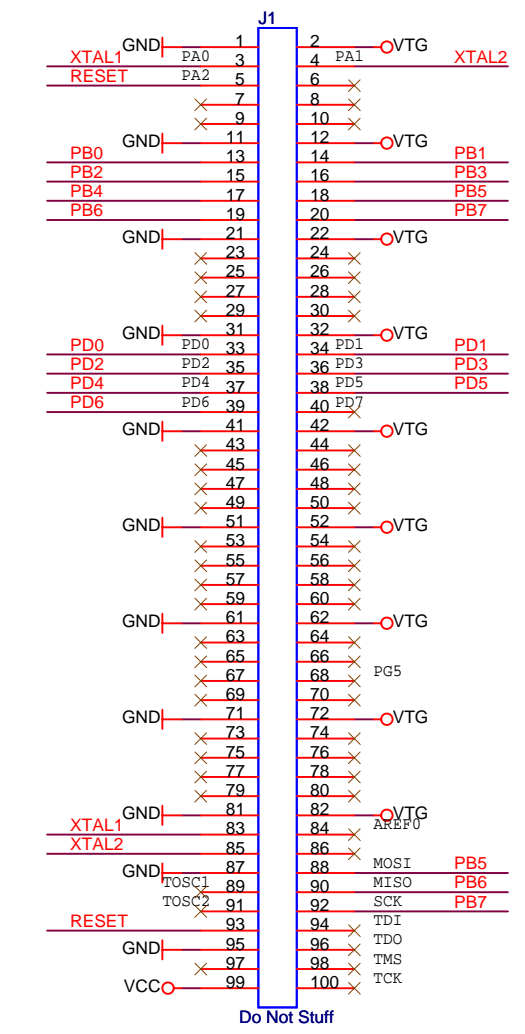
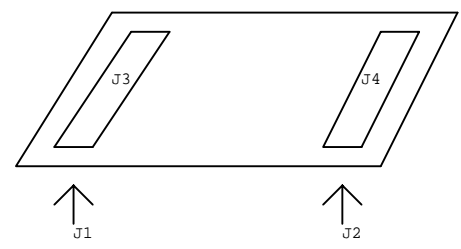


STK600 RC020T-1



J3 and J4 mates up to the socket card, while J1 and J2 goes down to the mother board. J1 is physical placed below J3, and J2 below J4.



bom		
ATMEL Norway AS Vestre Rosten 79 N-7075 TILLER Norway		
Title	STK600 RouterCard RC020T-1	Rev A
Size	Document Number	
A3	<Doc>	
Date:	Thursday, December 21, 2006	Sheet 1 of 1