

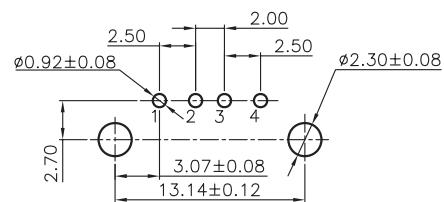
1

2

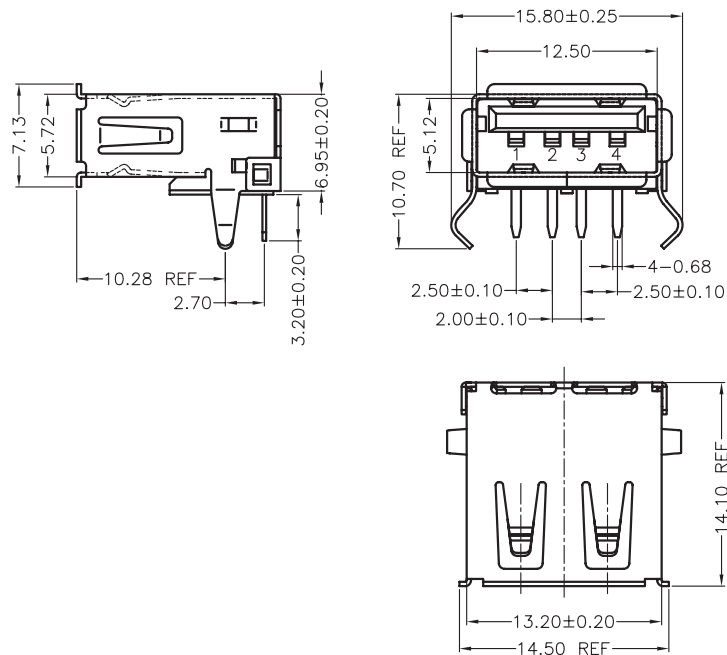
3

4

5



PCB LAYOUT - COMPONENT VIEW



## TECHNICAL CHARACTERISTICS

## MATERIAL

INSULATOR: PBT  
 FLAMMABILITY RATING: UL94-V0  
 COLOR: WHITE  
 CONTACT MATERIAL: COPPER ALLOY  
 CONTACT TYPE: STAMPED  
 CONTACT PLATING: SELECTIVE GOLD  
 SHIELDING: BRASS NI PLATED  
 QUALITY CLASS: 1500 MATING CYCLES

## ENVIRONMENTAL

OPERATING TEMPERATURE: -40°C UP TO +105°C  
 COMPLIANCE: LEAD FREE AND ROHS

## ELECTRICAL

CURRENT RATING: 1.5 A MAX  
 WORKING VOLTAGE: 30 VAC  
 INSULATOR RESISTANCE: >1000 MΩ  
 DIELECTRIC WITHSTANDING VOLTAGE: 750 VAC/MIN  
 CONTACT RESISTANCE: 20 mΩ MAX

## STANDARD

 CERTIFIED: E323964


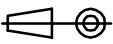
## SOLDERING

JEDEC LEAD FREE WAVE SOLDERING

## PACKAGING

TRAY

RoHS Compliant

RoHS Compliant				PROJECTION:	GENERAL TOLERANCE	 <b>WÜRTH ELEKTRONIK</b>	DESCRIPTION: USB 2.0 FEMALE R/A A TYPE	SIZE
M	27-OCT-14	REVIEW	QL		.X = +/- 0.2			
L	29-AUG-13	AXEL MAKE UP	QL		.XX = +/- 0.15			
K	24-JUL-13	DRAWING	QL					
J	15-FEV-13	DESIGNATION	AR		APPROVAL: NPr	UNIT: MM		
I	08-NOV-11	CURRENT RATING	GG			SCALE:		
H	03-OCT-11	UL	GG		SHEET: 1/2			
REV	DATE	FILE	BY		DRAW: QL			

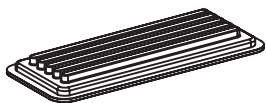
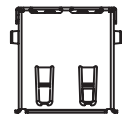
1

2

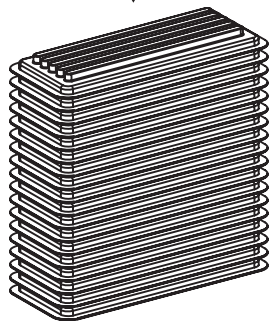
3

4

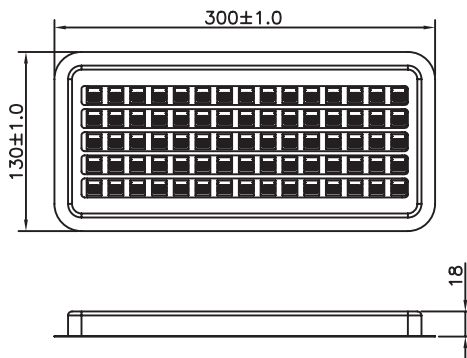
5



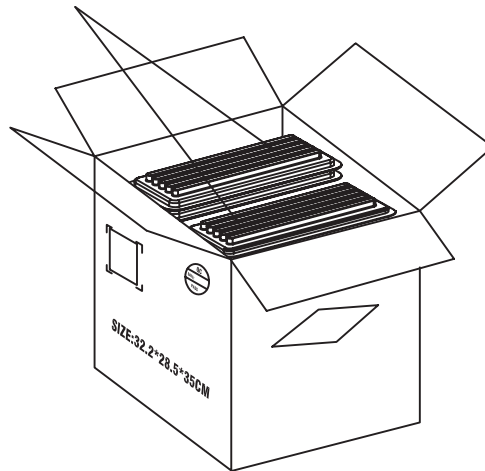
TRAY



22 TRAYS



Two Row

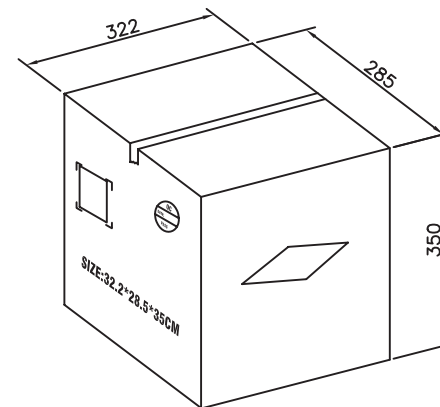


Note:

1.Dimension:  
Tray Size: 300(L)X130(W)X18.0(H) (mm)  
Carton Size:322X285X350 (mm)

2.Quqntity:  
60pcs/Tray  
44Tray/ Carton  
Q'TY: 2640pcs

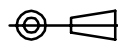
3.G.W: 7.12KG/Carton



CARTON

RoHS Compliant

PROJECTION:



GENERAL TOLERANCE

.X = +/- 0.2

.XX = +/- 0.15



APPROVAL: NP

UNIT: MM

SCALE:

SHEET: 2/2

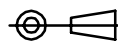

DRAW: QL

DESCRIPTION: USB 2.0 FEMALE R/A A TYPE

WERI PART NO: 614 004 160 21

SIZE

A4

G				<p>PROJECTION:</p> 	<p>GENERAL TOLERANCE</p> <p>.X = +/- 0.2</p> <p>.XX = +/- 0.15</p>	 <p>WÜRTH ELEKTRONIK</p>	<p>DESCRIPTION: USB 2.0 FEMALE R/A A TYPE</p>	<p>SIZE</p> <p><b>A4</b></p>
F								
E								
D								
C				<p>APPROVAL: NP</p>	<p>UNIT: MM</p>	<p>DESCRIPTION: USB 2.0 FEMALE R/A A TYPE</p>	<p>SIZE</p> <p><b>A4</b></p>	
B								
A								
REV	DATE	FILE	BY			<p>WERI PART NO: 614 004 160 21</p>		