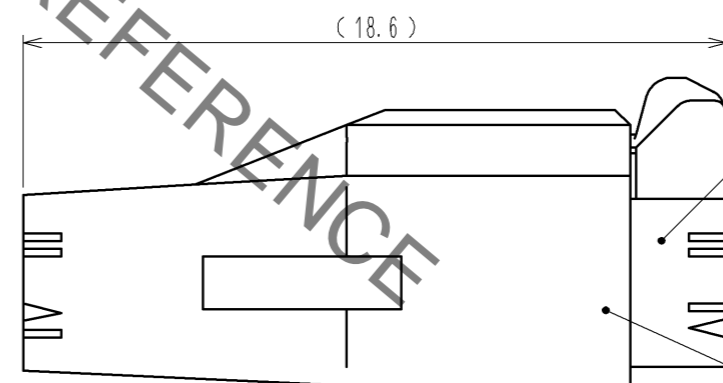
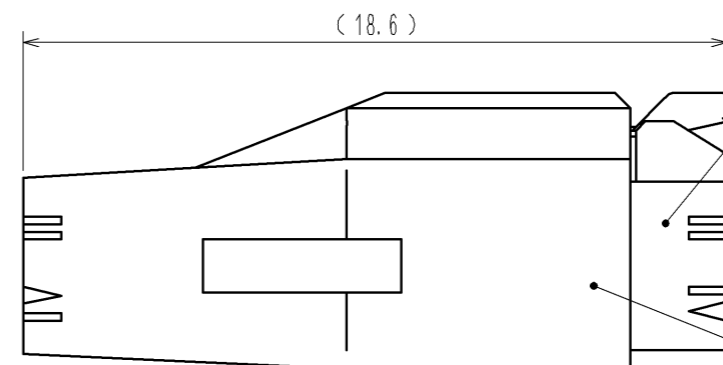
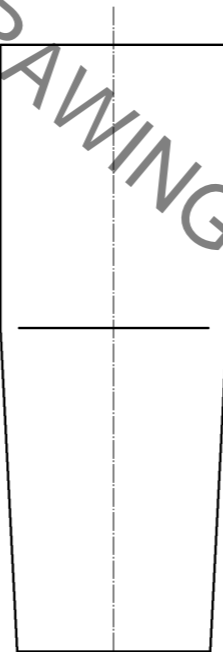
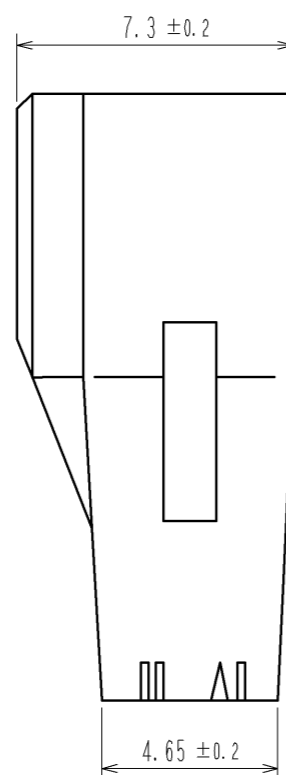
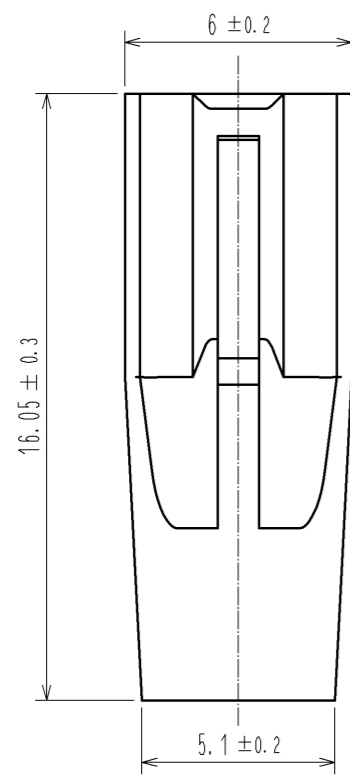
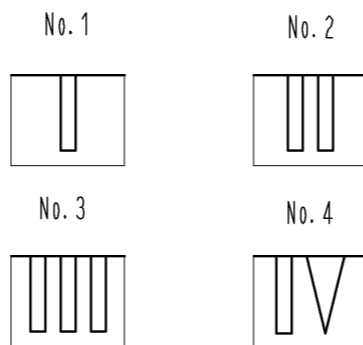
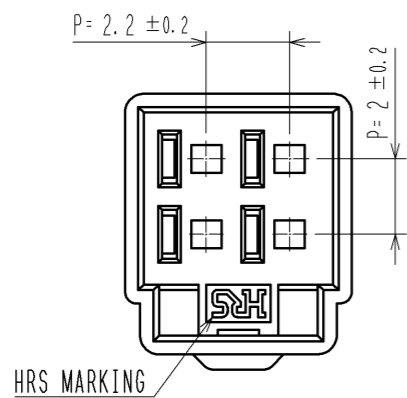
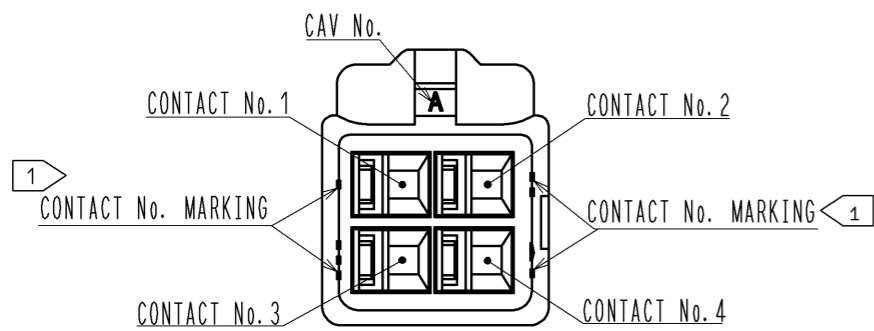
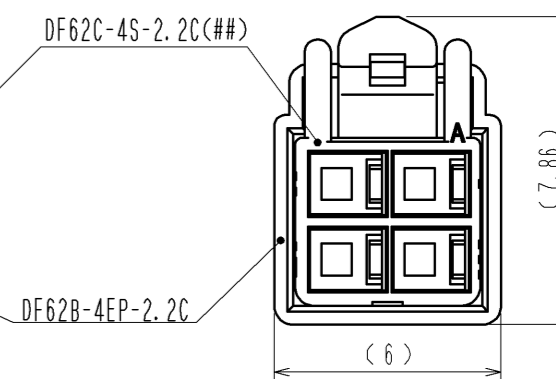
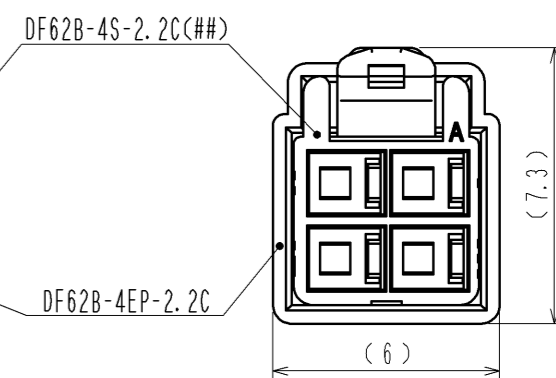


Sep.1.2019 Copyright 2019 HIROSE ELECTRIC CO., LTD. All Rights Reserved.
In case of consideration for using Automotive equipment / device which demand high reliability, kindly contact our sales window correspondents.

1 FIGURE-1 CONTACT No. MARKING (10:1)



MATING FIGURE



NOTE. 1. MARKINGS AT THE INDICATED POSITIONS ARE CONTACT NO. MARKING. AND SHAPES ARE SHOWN IN FIGURE-1.
2. PER PACK : 100 PIECES.
3. THE DIMENSIONS IN PARENTHESIS ARE FOR REFERENCE.

| | | | | | | | | | | |
|---------------------------|--|-------------------------|--|------------------|--|--------------------------|-----|-----------------|---------|------|
| NO. | | MATERIAL | | FINISH . REMARKS | | 1 | PBT | UL94V-0 (BLACK) | | |
| UNITS mm | | SCALE 5 : 1 | | COUNT | | DESCRIPTION OF REVISIONS | | DESIGNED | CHECKED | DATE |
| HIROSE ELECTRIC CO., LTD. | | APPROVED : KI. AKIYAMA | | 13. 05. 28 | | DRAWING NO. | | EDC3-351965-00 | | |
| | | CHECKED : HK. UMEHARA | | 13. 05. 28 | | PART NO. | | DF62B-4EP-2. 2C | | |
| | | DESIGNED : TS. KUMAZAWA | | 13. 05. 28 | | CODE NO. | | CL544-0560-0-00 | | |
| | | DRAWN : TS. KUMAZAWA | | 13. 05. 28 | | | | | | |