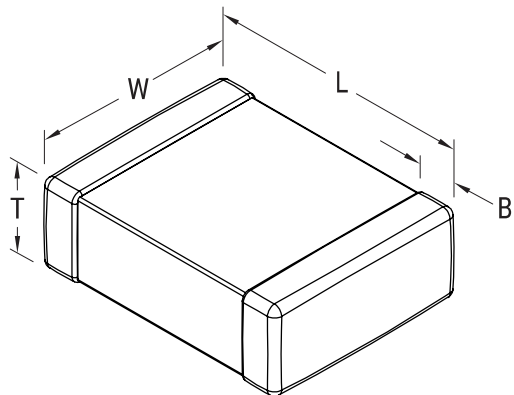


KEMET Part Number: C1210C106K5PACTU
(C1210C106K5PAC7800)

SMD Comm X5R, Ceramic, 10 uF, 10%, 50 VDC, X5R, SMD, MLCC, Temperature Stable, Class II, 1210



Dimensions

L	3.2mm +/-0.2mm
W	2.5mm +/-0.2mm
T	2.5mm +/-0.30mm
B	0.5mm +/-0.25mm

Packaging Specifications

Packaging:	T&R, 180mm, Plastic Tape
Packaging Quantity:	1000

General Information

Supplier:	KEMET
Series:	SMD Comm X5R
Style:	SMD Chip
Description:	SMD, MLCC, Temperature Stable, Class II
Features:	Temperature Stable, Class II
RoHS:	Yes
Termination:	Tin
Marking:	No
Miscellaneous:	Note: Referee time for X5R dielectric for this part number is 48 hours
Chip Size:	1210

Specifications

Capacitance:	10 uF
Capacitance Tolerance:	10%
Voltage DC:	50 VDC
Dielectric Withstanding Voltage:	125 VDC
Temperature Range:	-55/+85C
Temperature Coefficient:	X5R
Dissipation Factor:	10.00% 1kHz 25C
Aging Rate:	5% Loss/Decade Hour
Insulation Resistance:	10 MOhms