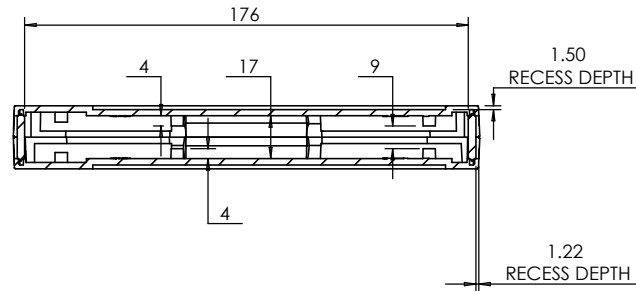
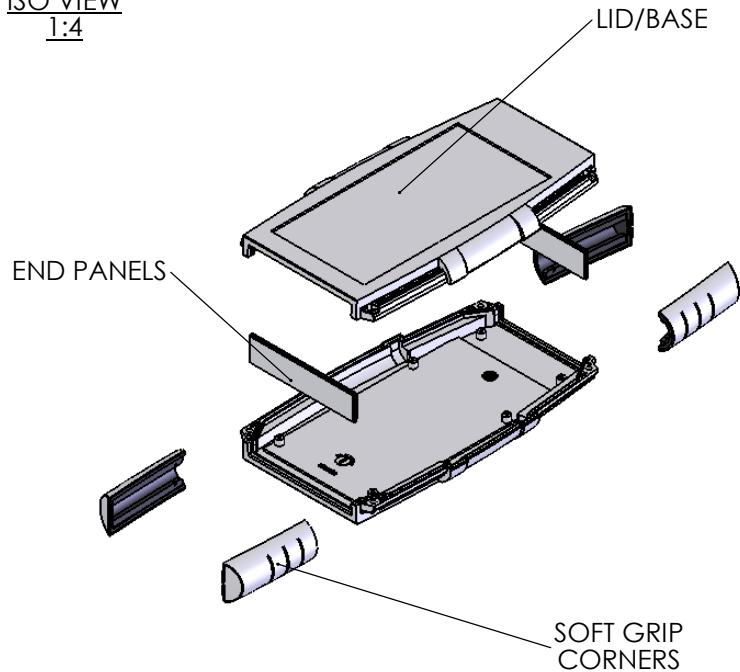


ISO VIEW
1:4



SOFT-GRIP CORNERS
SUPPLIED SEPARATELY

- RE331 33225
- RE331 33325
- RE331 33425
- RE331 33525
- RE331 33625
- RE331 33725
- RE331 33825

ASSEMBLY

		UNLESS OTHERWISE SPECIFIED: DIMENSIONS ARE IN MILLIMETERS		DO NOT SCALE DRAWING	REVISION. 0
		FINISH. LIGHT SPARK		TITLE: GNL ASSEMBLY DRG FOR 33 SERIES	
JAMES CARTER RD, MILDENHALL, SUFFOLK, IP28 7DE TEL: 01638 716101 FAX: 01638 716554 EMAIL: Sales@CamdenBoss.com WEB: www.CamdenBoss.com		MATERIAL. High Impact ABS		DWG NO.	RE33133303 - BLACK RE33133313 - GREY
DRAWN	L. SUBKHANKULOVA	LS	29/01/09	SCALE: 1 : 3	A4
CHKD	STUART HARDINGE	SJH	29/01/09	SHEET 1 OF 1	