



ENGLISH

Datasheet

DC Axial Fan, 52 x 52 x 10mm, 20m/h, 1.68W, 12 V dc (OD5210 Series)

RS Stock number [619-7093](#)



| RS Part Number | Orion Part Number | Speed (RPM) | Airflow (CFM) | Noise (db) | Volts (DC) | Voltage Range | Current (Amps) | Lead Type |
|----------------|-------------------|-------------|---------------|------------|------------|---------------|----------------|-----------|
| 6197093 | OD5210-12HB(01A) | 6000 | 12 | 38 | 12 | 6~13.8 | 0.14 | Wire |

* 01A: Indicates Tachometer Output, Open Collector

Data Tolerance +/- 10%

Frame and Impeller

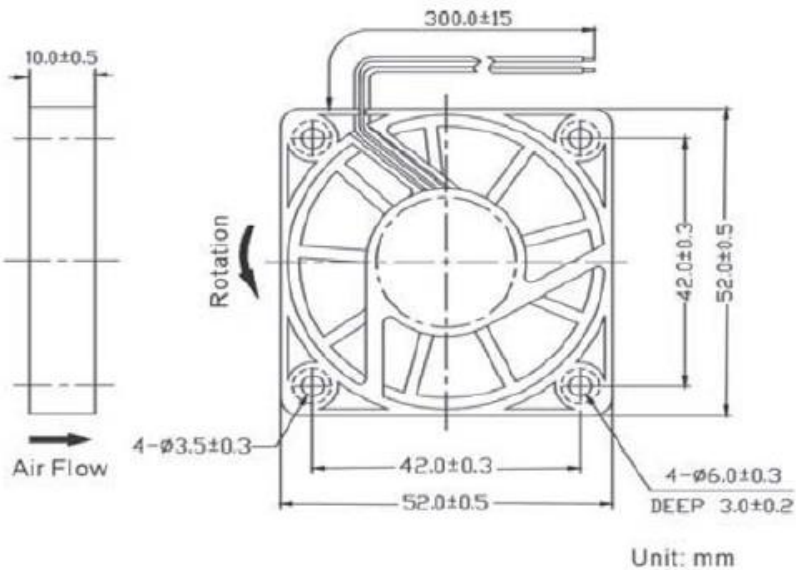
PBT, UL94V-0 Thermoplastic

Available Options

Tachometer

Locked Rotor Alarm

Finger Guard: G50-3

Drawing(mm):

*Drawing for Dimensional Reference Only

MOTOR

Brushless DC, polarity protected, locked rotor protected (current limited), auto restart

INSULATION RESISTANCE

Min. 10 M ohms at 500VDC

LIFE EXPECTANCY (L10)

Ball Bearing 60,000 Hours

Operating Temperature

-10C ~ +70C

Safety Approvals

UL/CUL, TUV, CE