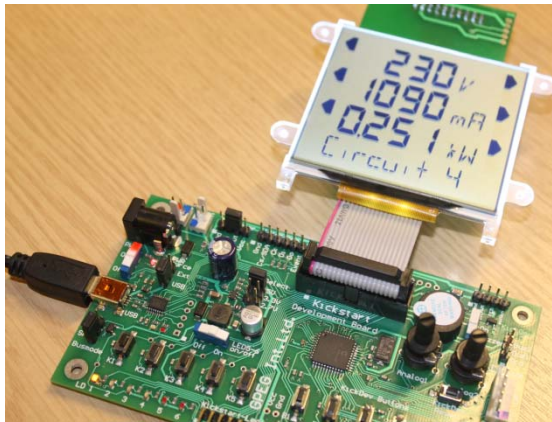




Kickstart Development Kit

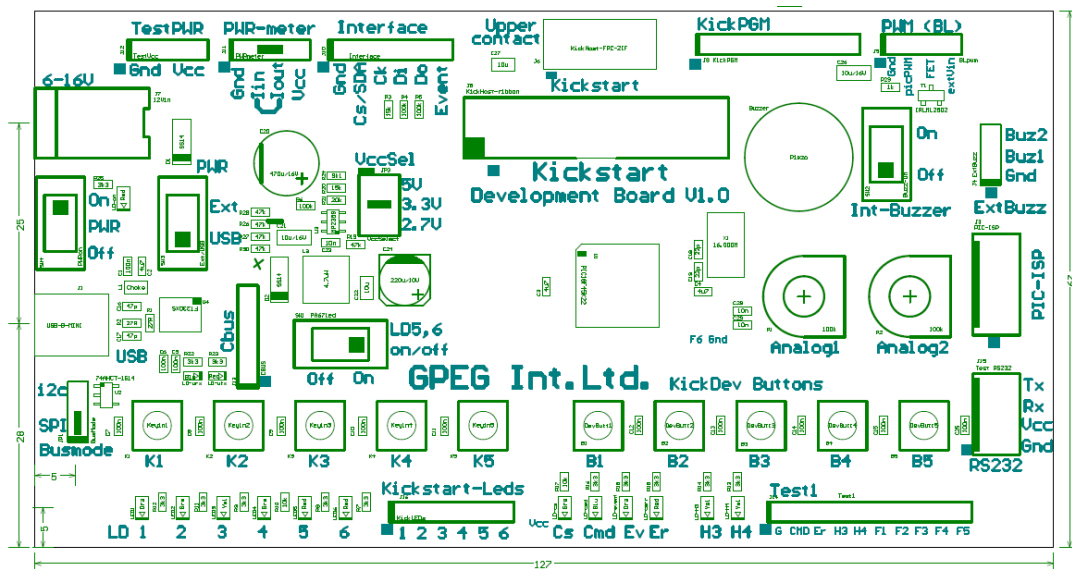
Part Number: KickDev01



Features:

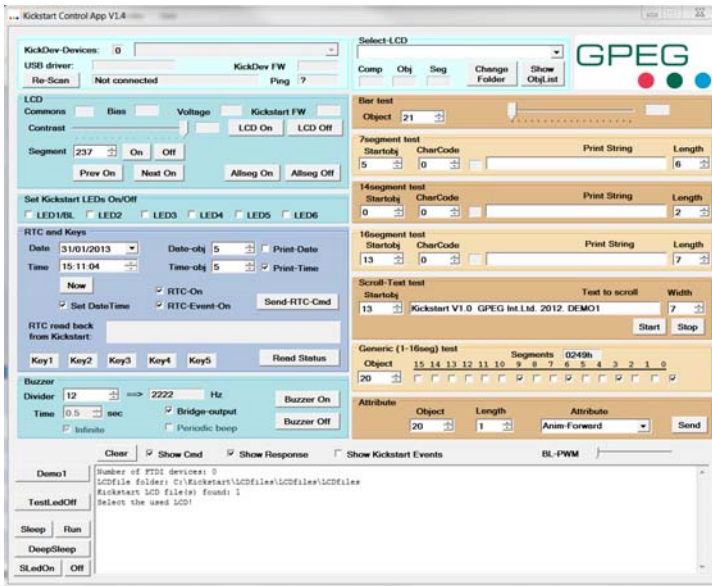
- Complete software and hardware dev kit for Kickstart series modules and display driver ICs
- Demonstration and sample programs in open source C code (based on PIC18F45)
- Interface cable and breakout board to Kickstart module and host PC
- Powerful PC development tool enabling rapid cut and paste project development in any environment
- 5V/3V operation with Rs232/USB host communication
- Connects with Microchip PICkit programming tool (Microchip part number DV164120)
- Buzzer, 2 x rotary inputs, button and LED array to explore each Kickstart front panel potential

Pin	Name	Function	Pin	Name	Function
J1	USB B mini	Data connector to host	J9	PWM (BL)	PWM output from PIC18F45
j2	n/a	n/a	J10	SPI/I2C interface	Secondary MCU interface
J3	PIC-ISP	I/O for Microchip Pickit	J11	Test PWR	Connect DVM to measure consumption
J4	Ext Buzzer	Output for external sounder	J12	Test PWR	Connect DVM to measure consumption
J5	n/a	n/a	J13	Cbus	
J6	Kickstart header	20pin ZIF for standard KS connector	J14	TEST1	Monitoring output
J7	12V DC	Mains power input	J15	Test RS232	Serial i/o for diagnostics
J8	KickPGM	Factory OTP program	J16	KickLEDs	Output drive to LEDs





Kickstart Development Kit Software Tools

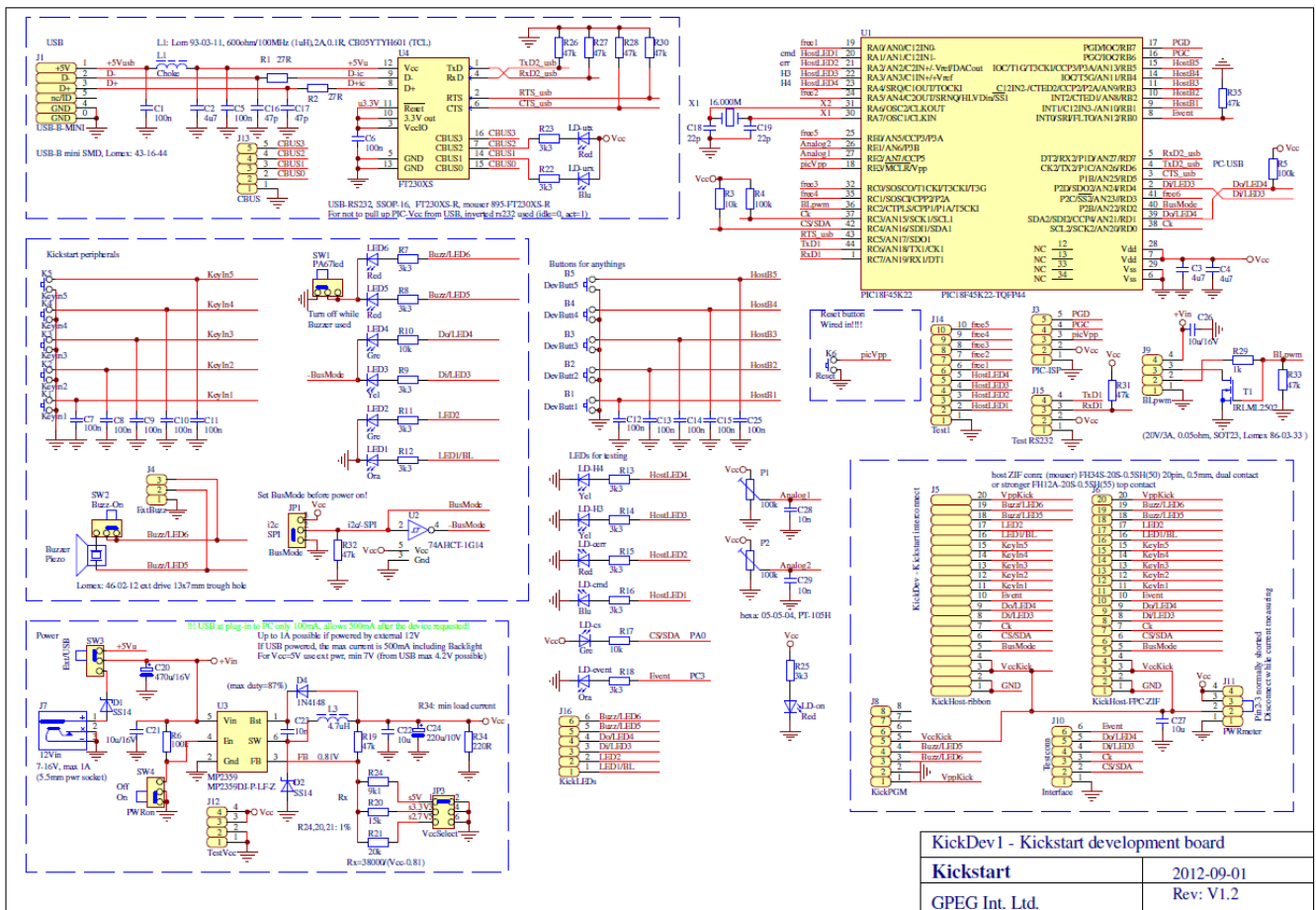


Features:

- PC software enables fast and easy use of all primitive commands
- Cut and paste from monitor window into your own project
- Manipulate RTC, animations and font tables
- 7,14 and 16 segment font embedded
- Links with Web design program (open and free to use) for WYSIWYG page development
- Compatible with all designs including
 - KS008A4
 - KS008A5
 - KS008A6

Schematic, application code and support

- Schematic and C code application programs included in the Development kit
- Global support available on-line and from your nearest sales office



GPEG International Ltd
Gunnery Terrace, Royal Arsenal
Duke of Wellington Avenue
Woolwich, London. SE18 6SW

www.gpegint.com
Phone: +44 (0) 870 493 1433
Email: sales@gpegint.com