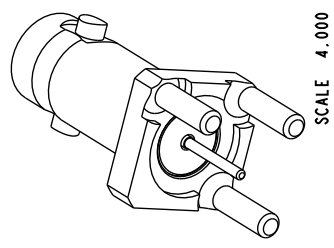
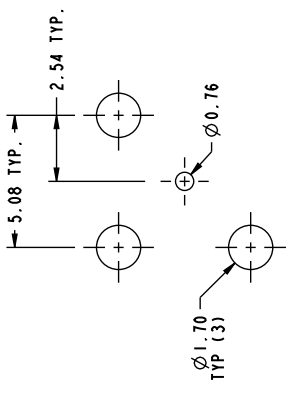


| THIRD ANGLE PROJ. | | REVISIONS | |
|-------------------|-------------------|-----------|------|
| REV | DESCRIPTION | DATE | ECO |
| 1 | PROTOTYPE RELEASE | 1-0c1-10 | -- |
| | | | APPR |
| | | | PME |

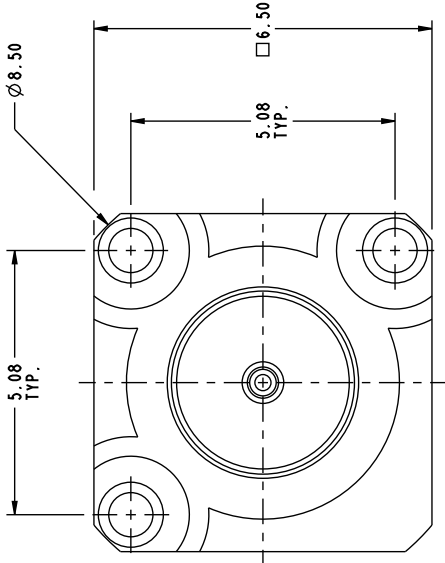
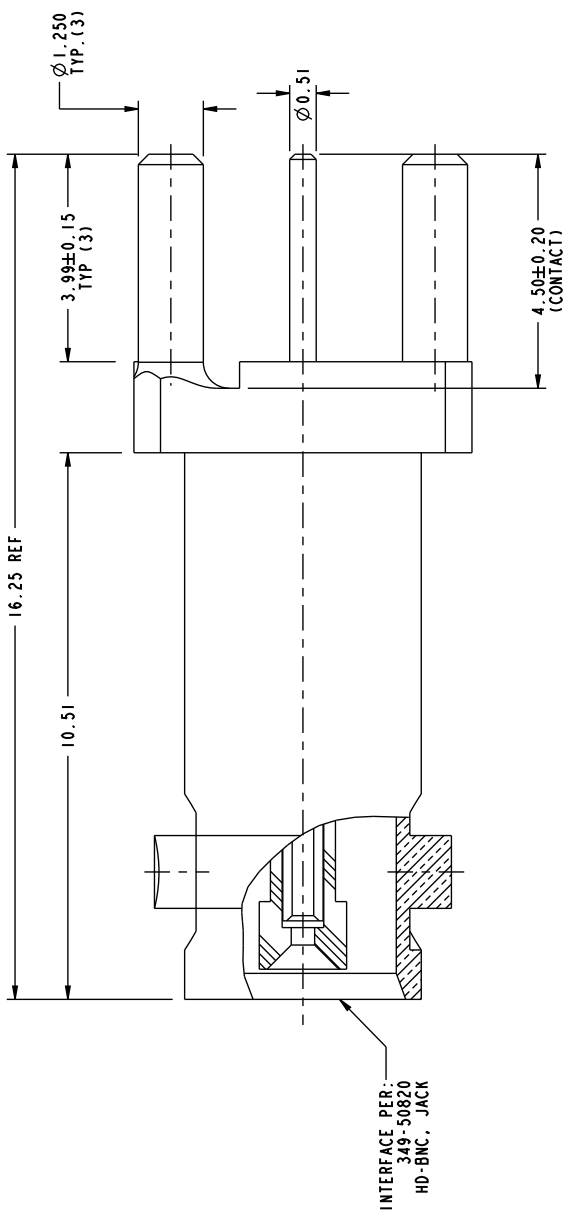


SCALE 4.000

PRELIMINARY ISSUE

**SCALE 5.000
RECOMMENDED PCB MOUNTING
HOLES DIMENSIONS**

- NOTES:
- MATERIALS AND FINISHES:**
BODY - BRASS, GOLD PLATING.
CONTACT - B₂Cu GOLD PLATING.
INSULATOR - PTFE, NATURAL
 - ELECTRICAL:**
A. IMPEDANCE: 75 OHM
B. FREQUENCY RANGE: DC -4.5 GHz
C. DIELECTRIC WITHSTANDING VOLTAGE: 1000 VRMS, MIN.
D. INSULATION RESISTANCE: 10,000 MEGOHMS MIN
E. VOLTAGE RATING: 335 VRMS
 - MECHANICAL:**
A. DURABILITY: 500 CYCLES MIN.
 - ENVIRONMENTAL:**
A. THERMAL SHOCK PER MIL-STD-202 METHOD 107
B. TEST CONDITION B (EXCEPT HIGH TEMP @200°C)
C. VIBRATION: MIL-STD-202 METHOD 204 TEST CONDITION B
D. SHOCK: MIL-STD-202 METHOD 213 TEST CONDITION B
E. CORROSION: MIL-STD-202 METHOD 101
TEST CONDITION B 5% SALT SOLUTION
 - PACKAGING:**
A. QUANTITY: SINGLE PACK
B. MARKING: BAG TO BE MARKED:
"AMPHENORF, 34-1038 DATE CODE"



INTERFACE PER:
349-50820
HD-BNC, JACK

CUSTOMER OUTLINE DRAWING
ALL OTHER SHEETS ARE FOR INTERNAL USE ONLY

| DRAWN | | DATE | |
|--------------------------------|--|---|--|
| PADMANABHAN E | | 1-0c1-10 | |
| ENGINEER | | DATE | |
| PADMANABHAN E | | 1-0c1-10 | |
| APPROVED | | DATE | |
| CAD FILE | | REV | |
| Root Folder/HD-BNC/34-1038 | | B | |
| MATERIAL | | TITLE | |
| SEE NOTES | | HD BNC STR JACK | |
| REFERENCE ENR #4316 | | PCB THROUGH HOLE | |
| CONFIGURATION LEVEL: Prototype | | 3 LEGS RECEPTACLE | |
| FINISH | | SCALE: 10.0:1.0 SHEET 2 OF 4 | |
| | | DWG SIZE | |
| | | DRAWING NO. 34-1038 | |
| | | ITEM NO. 34-1038 | |
| | | PART NO. 34-1038 | |
| | | Amphenol RF | |
| | | Donbury CT USA, Tainan, Taiwan, Shenzhen, China | |
| | | www.amphenolrf.com | |

UNLESS OTHERWISE SPECIFIED, DIMENSIONS ARE IN METRIC AND TOLERANCES ARE:
 ±0.5mm 0.5 - 6mm ±0.1mm 6 - 30mm ±0.2mm 30 - 120mm ±0.3mm >120mm
 ANGLES ±1°

NOTICE - These drawings, specifications, or other data (1) are, and remain the property of Amphenol Corp. (2) must be returned upon request; and (3) are confidential and not to be disclosed to any person other than those to whom they are given by Amphenol Corp. The finishing of these drawings, specifications, or other data by Amphenol Corp., or to any other person for any purpose is not to be regarded by implication or otherwise in any manner licensing, granting rights, or permitting such holder to use any other specifications to manufacture, use or sell any product, or to disclose such information in any way to any other person, or to be related to or disclosed by said drawings, specifications, or other data.