



ENGLISH

## Datasheet

# DC Axial Fan, 80 x 80 x 25mm, 68m/h, 2.9W, 12 V dc (OD8025 Series)

RS Stock number [619-7116](#)



### Frame and Impeller

PBT, UL94V-0 Thermoplastic

### Available Options

Tachometer

Locked Rotor Alarm

Finger Guard: G180-18

Plastic Guard: G80P

Wire Mesh Guard: WMG80M

Filter Kit: GRM80-30, GRM80-45

RS Part Number	Orion Part Number	Speed (RPM)	Airflow (CFM)	Noise (db)	Volts (DC)	Voltage Range	Current (Amps)	Lead Type
6197116	OD8025-12HB(01A)*	3300	40	33	12	6~13.8	0.25	Wire
6197138	OD8025-24HB(01)(20)**	3300	40	33	24	12~28	0.25	Wire
6197122	OD8025-24HB(01A)*	3300	40	33	24	12~28	0.25	Wire

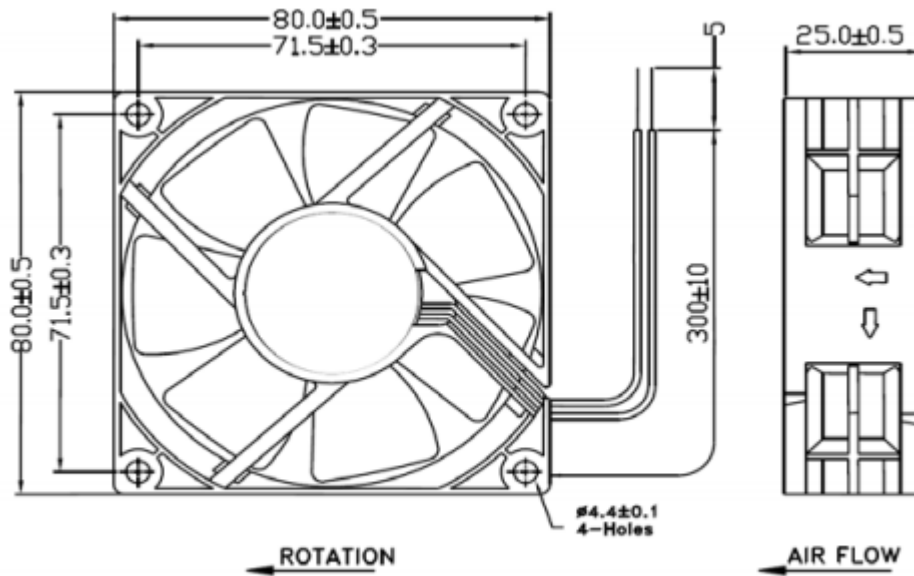
\* 01A: Indicates Tachometer Output, Open Collector

\*\* 01: Indicates Tachometer Output, 5V TTL

20: Indicates Environmentally Protective Coating

Data Tolerance +/- 10%

Drawing(mm):



\*Drawing for Dimensional Reference Only

**MOTOR**

Brushless DC, polarity protected, locked rotor protected (current limited), auto restart

**INSULATION RESISTANCE**

Min. 10 M Ohms at 500VDC

**LIFE EXPECTANCY (L10)**

Ball Bearing 60,000 Hours

**Operating Temperature**

-10C ~ +70C

**Safety Approvals**

UL/CUL, TUV, CE