



Joystick 2-pos.,horiz,spring-ret.,titan

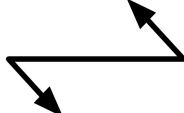


Powering Business Worldwide™



Part no. M22-WJ2H
Article no. 289195
Catalog No. M22-WJ2HQ

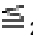
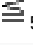
Delivery programme

Product range			RMQ-Titan (drilling dimensions 22.5 mm)
Basic function			Joystick
Single unit/Complete unit			Single unit
Description			2 positions with one operating point per operating direction
Function			momentary Horizontal
Function			
Front ring			Front ring: titanium
Connection to SmartWire-DT			yes
Notes			
Bezel gold-plated →#274150			
Use adapter M22-A4→#279437			

Approvals

Product Standards	IEC/EN 60947-5; UL 508; CSA-C22.2 No. 14-05; CSA-C22.2 No. 94-91; CE marking
UL File No.	E29184
UL Category Control No.	NKCR
CSA File No.	012528
CSA Class No.	3211-03
North America Certification	UL listed, CSA certified
Degree of Protection	UL/CSA Type 3R, 4X, 12, 13

General

Standards			IEC/EN 60947 VDE 0660
Lifespan, mechanical	Operations	x 10 ⁶	> 0.1
Operating frequency	Operations/ h		 2000
Actuating force		n	 5
Protection type			IP66
Climatic proofing			Damp heat, constant, to IEC 60068-2-78 Damp heat, cyclic, to IEC 60068-2-30
Ambient temperature		°C	
Open		°C	- 25 - + 70
Mounting position			As required
Mechanical shock resistance		g	30 Shock duration 11 ms Sinusoidal according to IEC 60068-2-27

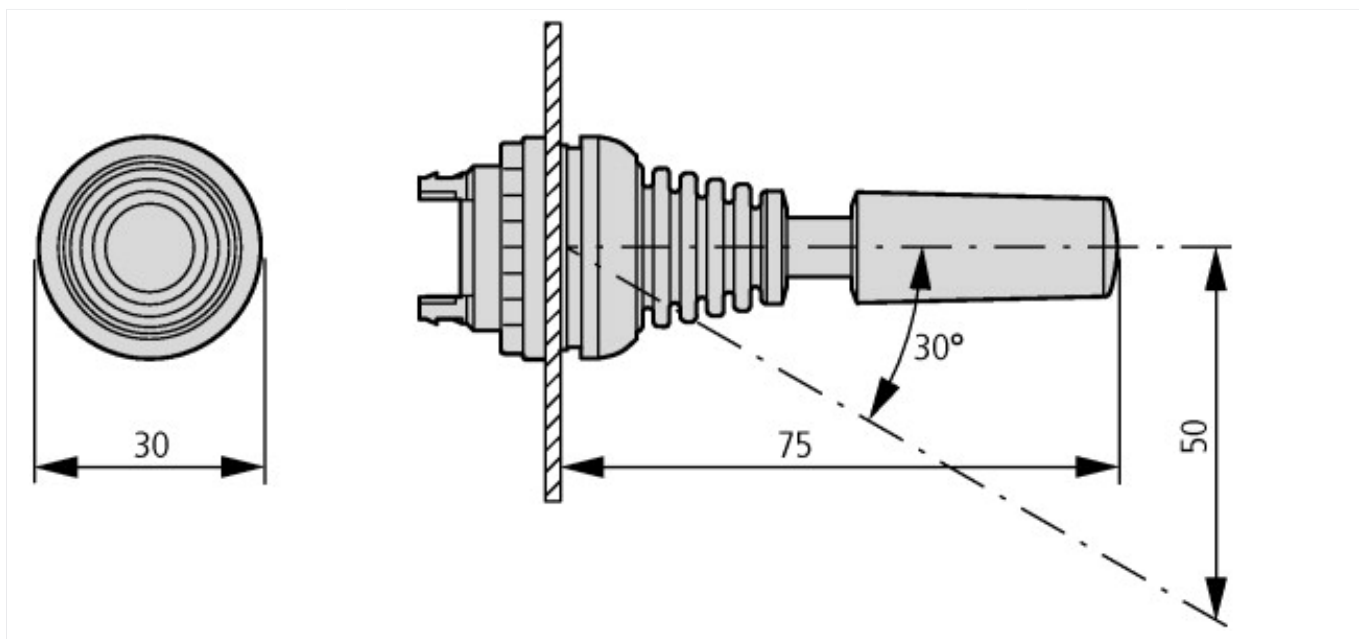
Technical data ETIM 5.0

Low-voltage industrial components (EG000017) / Control switch, Joystick (EC000632)
 Electric engineering, automation, process control engineering / Low-voltage switch technology / Off-load switch, circuit breaker, control switch / Control switch, joystick
 (ecl@ss8-27-37-14-04 [AKF061009])

Rated operation current I _e at AC-21		A	0
Centre mounting, hole diameter		mm	22.5
Joy stick length		mm	75
Number of actuation directions			2
Number of switch levels			1
Number of normally open contacts per actuation direction			0

Number of normally closed contacts per actuation direction		0
Number of make-and-break contacts per direction		0
With retraction in 0-position		Yes
Locking in 0-position		No
Coder		No
Analogue output signal configurable		No
Degree of protection (IP)		IP66
With front ring		Yes
Material front ring		Plastic
Colour front ring		Chrome

Dimensions



Additional product information (links)

IL04716002Z (AWA1160-1745) RMQ-Titan System

IL04716002Z (AWA1160-1745) RMQ-Titan System

ftp://ftp.moeller.net/DOCUMENTATION/AWA_INSTRUCTIONS/IL04716002Z2013_08.pdf