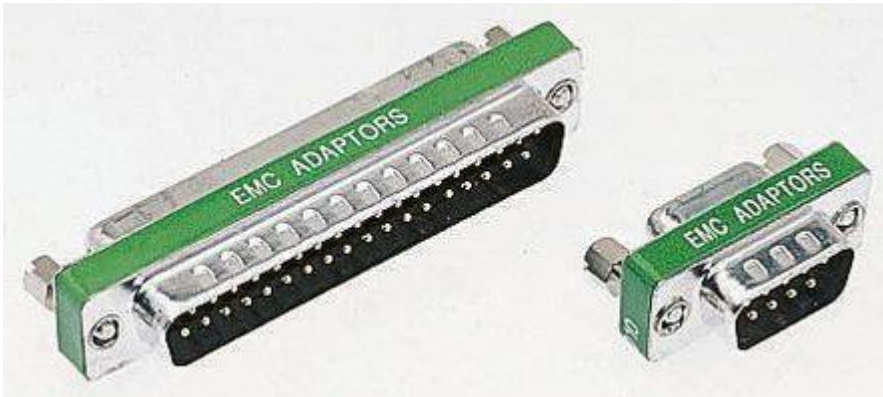


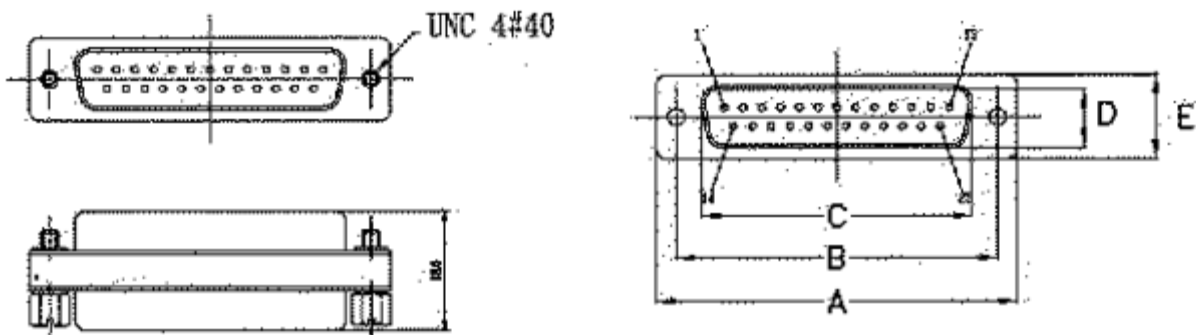
## Datasheet

# 15 way filter D adaptor

RS Stock number 238-7359



### Dimensions: (mm)



### Specifications

- Current rating: 5A max.
- Working voltage: 100Vdc
- Attenuation: 20dB min. @ 100MHz
- Operating temperature range: -25°C to +125°C