



PUSHBUTTON, 22MM, ROUND, PLASTIC WITH METAL FRONT RING, YELLOW, FLAT BUTTON MOMENTARY CONTACT TYPE

Figure similar

| | | |
|-----------------------|--|----------------------------------|
| product brand name | | SIRIUS ACT |
| Product designation | | Commanding and signaling devices |
| Design of the product | | Pushbutton |

Actuator:

| | | |
|---|----|-----------------------------|
| Design of the operating mechanism | | pushbutton with flat button |
| Manner of function of the actuating element | | Momentary contact type |
| Product expansion optional Light source | | No |
| Color | | |
| • of the actuating element | | Yellow |
| Material of the actuating element | | plastic |
| Shape of the actuating element | | round |
| Outer diameter of the actuating element | mm | 29.45 |
| Type of unlocking device | | without |

Front ring:

| | | |
|------------------------------|--|-------------|
| Product component front ring | | Yes |
| Design of the front ring | | Standard |
| Material of the front ring | | Metal, matt |
| Color of the front ring | | sand gray |

General technical data:

| | | |
|--|-----|-------------------|
| Vibration resistance | | |
| • acc. to IEC 60068-2-6 | | 10 ... 500 Hz: 5g |
| Operating frequency maximum | 1/h | 3 600 |
| Mechanical service life (switching cycles) | | |
| • typical | | 10 000 000 |

| | | |
|--------------------------|--|---|
| Equipment marking | | |
| • acc. to DIN EN 61346-2 | | S |
| • acc. to DIN EN 81346-2 | | S |

Ambient conditions:

| | | |
|----------------------------|----|-------------|
| Ambient temperature | | |
| • during operation | °C | -25 ... +70 |
| • during storage | °C | -40 ... +80 |

Installation/ mounting/ dimensions:

| | | |
|--|----|-------|
| Height | mm | 29.45 |
| Width | mm | 29.45 |
| Shape of the installation opening | | round |
| Mounting diameter | mm | 22 |

Certificates/ approvals:

Further information

Information- and Downloadcenter (Catalogs, Brochures,...)

<http://www.siemens.com/industrial-controls/catalogs>

Industry Mall (Online ordering system)

<http://www.siemens.com/industrymall>

Cax online generator

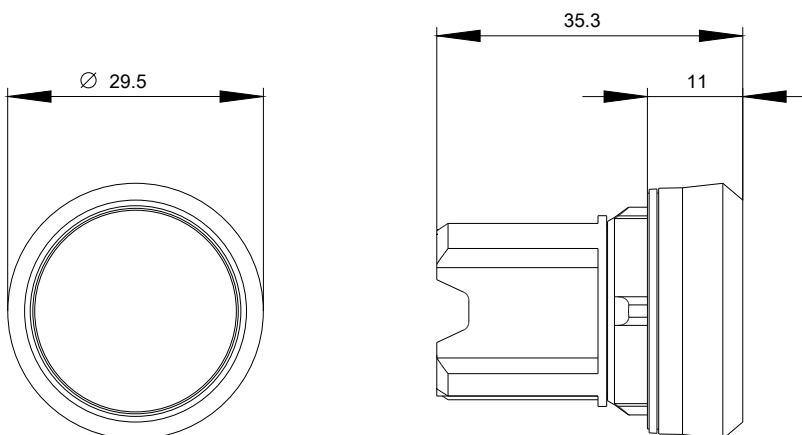
<http://support.automation.siemens.com/WW/CAXorder/default.aspx?lang=en&mfb=3SU10300AB300AA0>

Service&Support (Manuals, Certificates, Characteristics, FAQs,...)

<http://support.automation.siemens.com/WW/view/en/3SU10300AB300AA0/all>

Image database (product images, 2D dimension drawings, 3D models, device circuit diagrams, EPLAN macros, ...)

http://www.automation.siemens.com/bilddb/cax_de.aspx?mfb=3SU10300AB300AA0&lang=en



last modified:

09.03.2015