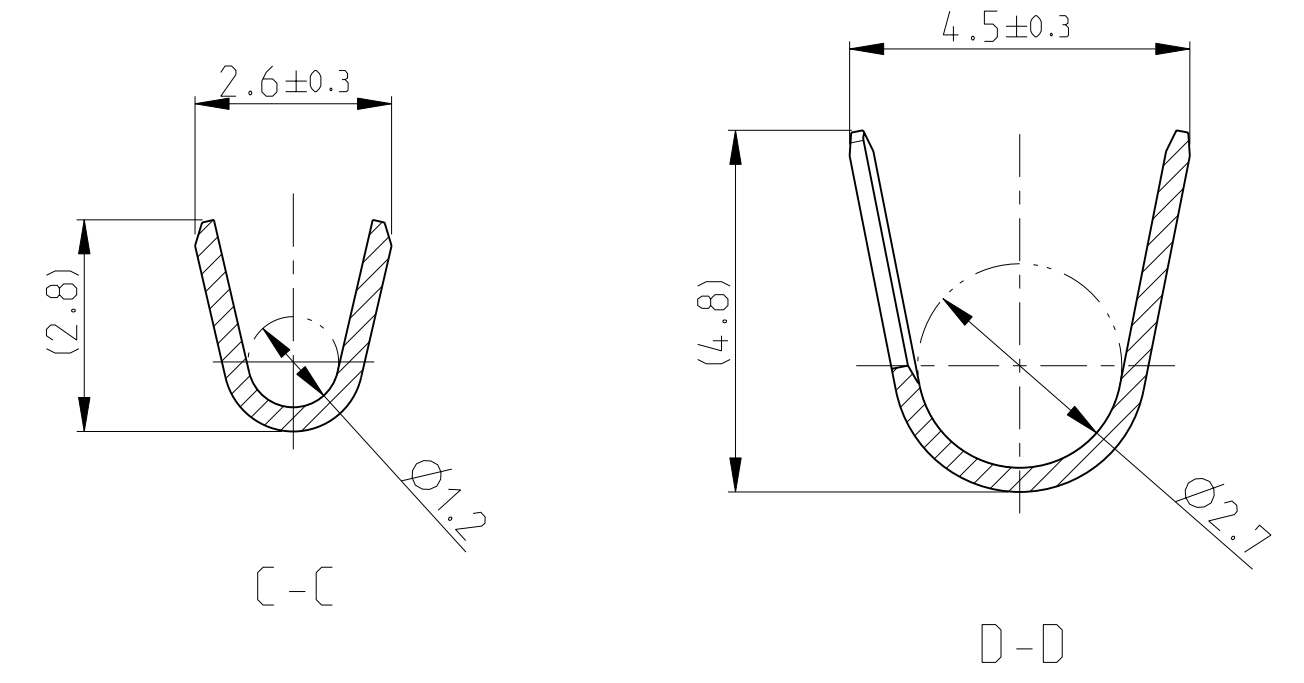
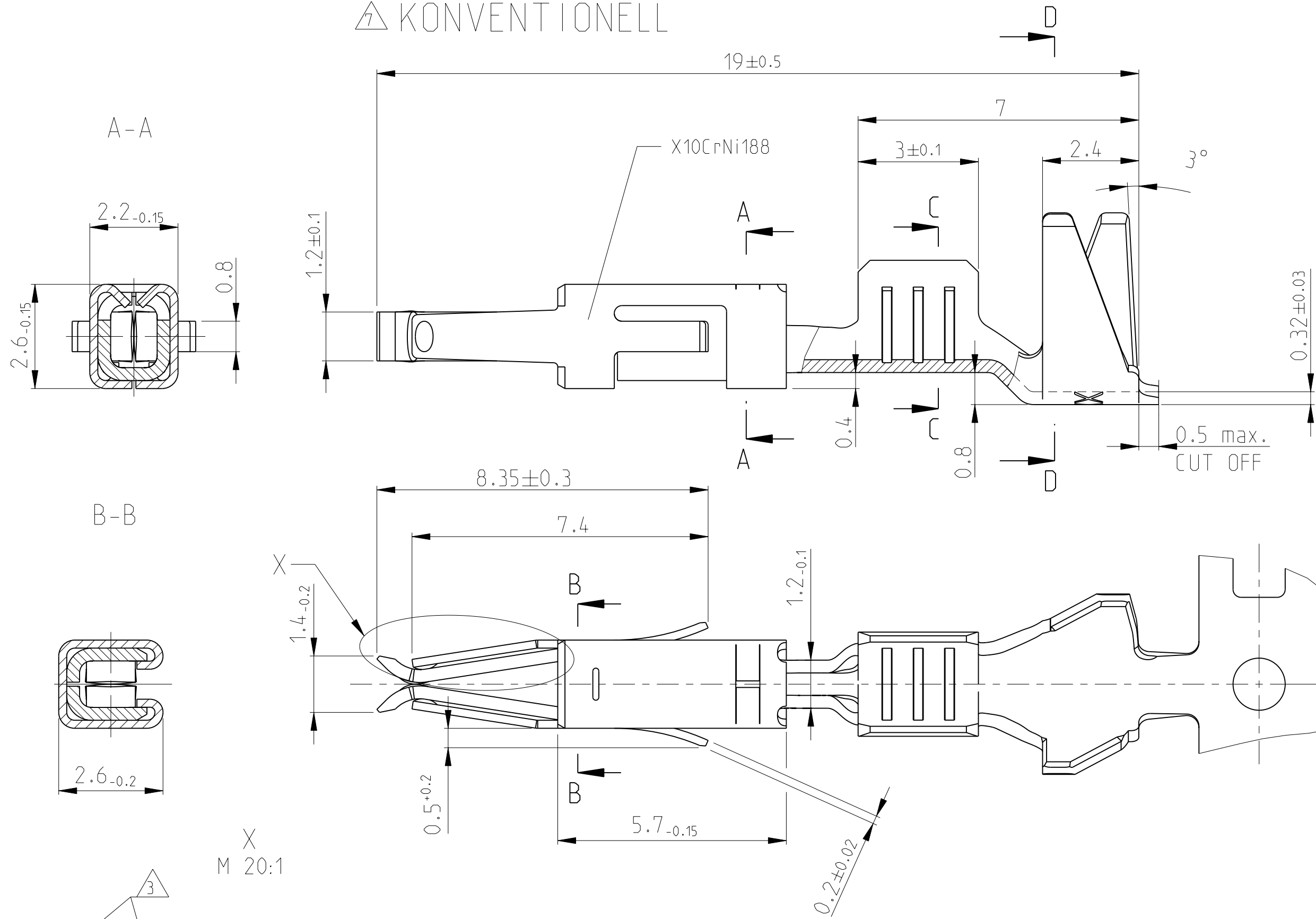


THIS DRAWING IS UNPUBLISHED. RELEASED FOR PUBLICATION 2008
 © COPYRIGHT 2008 BY TYCO ELECTRONICS CORPORATION. ALL RIGHTS RESERVED.

LOC		DIST		REVISIONS			
P	LTR	DESCRIPTION	DATE	DWN	APVD		
A1	-						
M4		SPRING DIMPLE MODIFIED	16-AUG-05	Kone	Bleich		
M5		GOLD VARIANT ADDED	25-JAN-07	Frueh	Brun		
N		OPTION FOR TTD VERSION ADDED	25-JUN-08	Abr	Brun		
N1		DRAWING ADAPTED	06APR2009	Abr	Brun		

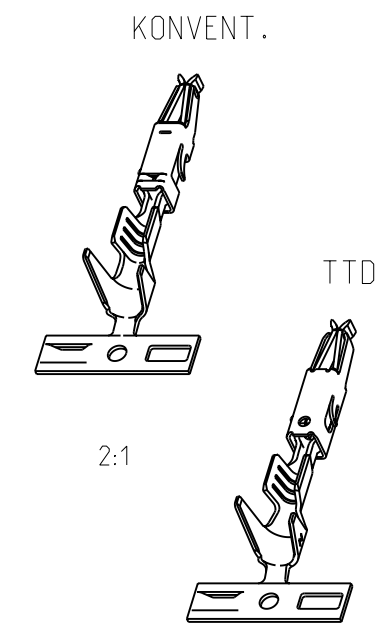
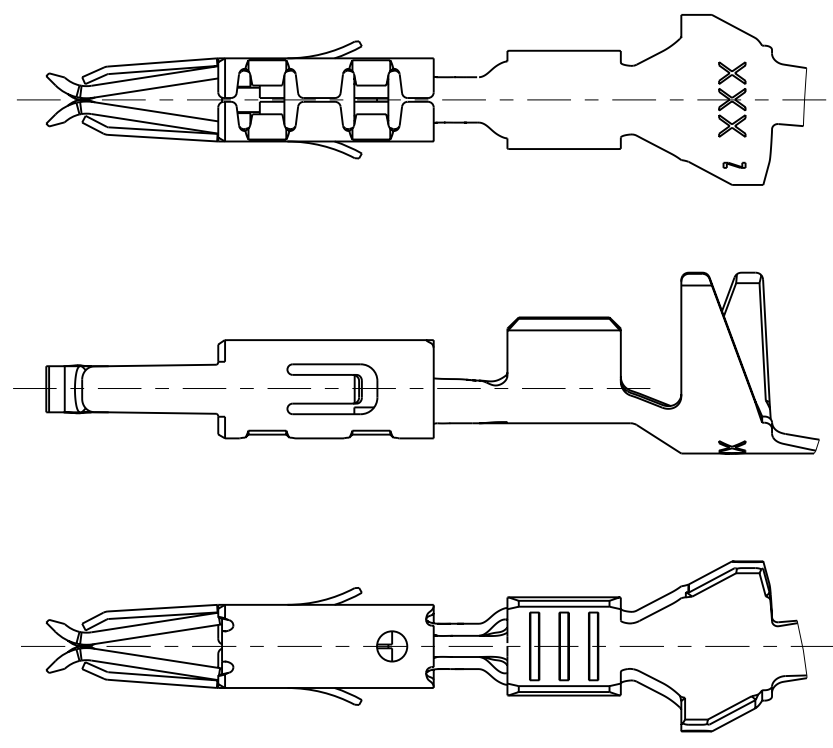
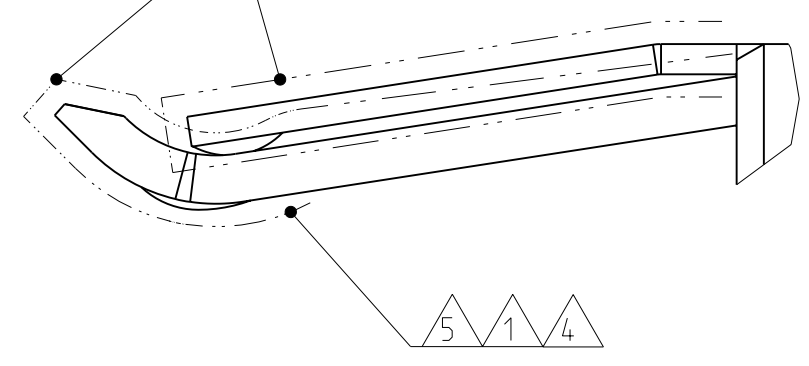
7 KONVENTIONELL



NOTES
Bemerkungen

- 1 SELECTIVE GOLD PLATED MIN. 0.8 µm OVER NI
selektiv vergoldet 0.8 µm ueber Ni
- 2 TIN PLATED MIN. 0.2 µm OVER NI
verzinkt 0.2 µm ueber Ni
- 3 CONTACT SURFACE SEL. GOLD PLATED MIN. 0.8 µm OVER NI
CANTILEVER SPRING COMPLETELY GOLD PLATED ON BOTH SIDES
sel. vergoldet auf der Kontaktoberseite 0.8 µm min. ueber Ni
Ueberfeder komplett auf beiden Seiten vergoldet
- 4 GAL. TIN PLATED MIN. 1.0 µm OVER NI
gal. verzinkt 1.0 µm ueber Ni
- 5 SELECTIVE GOLD PLATED MIN. 1.27 µm OVER NI
selektiv vergoldet 1.27 µm min. ueber Ni
- 6 WIRE RANGE : 0.5 - 1.0 mm²
INSULATION-Ø: 2.8 mm (SINGLE WIRE SEAL)
Drahtgrossenbereich: 0.5 - 1.0 mm²
Isolations-Ø: 2.8 mm (Einzeldichtung)

8 TWO TRACK DIE
M 5:1



VERSION	LP NO	SURFACE / Oberflaeche	MATERIAL	PART NO	REV
7	963711-7	5 2	CuFe2	962876-7	B
7	963711-6	3 4 2	CuSn4	962876-6	N
7	963711-5	1 2	CuFe2	962876-5	N
7	963711-3	1 2	CuSn4	962876-3	N
8	963711-2	PRETIN / vorverzinkt	CuFe2	962876-2	N
8	963711-1	PRETIN / vorverzinkt	CuSn4	962876-1	N

THIS DRAWING IS A CONTROLLED DOCUMENT FOR TYCO ELECTRONICS CORPORATION IT IS SUBJECT TO CHANGE AND THE CONTROLLING ENGINEERING ORGANIZATION SHOULD BE CONTACTED FOR THE LATEST REVISION.

DIMENSIONS: mm	TOLERANCES UNLESS OTHERWISE SPECIFIED: PLC ± 1 PLC ± 2 PLC ±0.2 3 PLC ± 4 PLC ± ANGLES ±2° FINISH	DWN R.Hofer 05-JAN-89 CHK L.Nix 05-APR-89 APVD M.Bleicher 25-JUN-08 PRODUCT SPEC 108-18386 APPLICATION SPEC 114-18081 WEIGHT 0.3 g	Tyco Electronics Tyco Electronics AMP GmbH 64625 Bensheim (Germany)
MATERIAL		CUSTOMER DRAWING	NAME MICRO TIMER 2 CONTACT WITH DOUBLE LOCKING LANCE mit doppelter Rastfeder SIZE A2 CAGE CODE 00779 DRAWING NO 962876 RESTRICTED TO - SCALE 10:1 SHEET 1 OF 1 REV N1