



- Design plastic enclosure for communication and automation engineering
- Optional with recess for membrane keypads
- Integrated fixing points for display and PCB mounting
- Space for automation components

Included in delivery

Enclosure with top, base and side elements

Technical data

Material:

PC / ABS

Ingress protection:

IP 65, EN 60529

Colour:

enclosure body: black

side: silver

Norvent

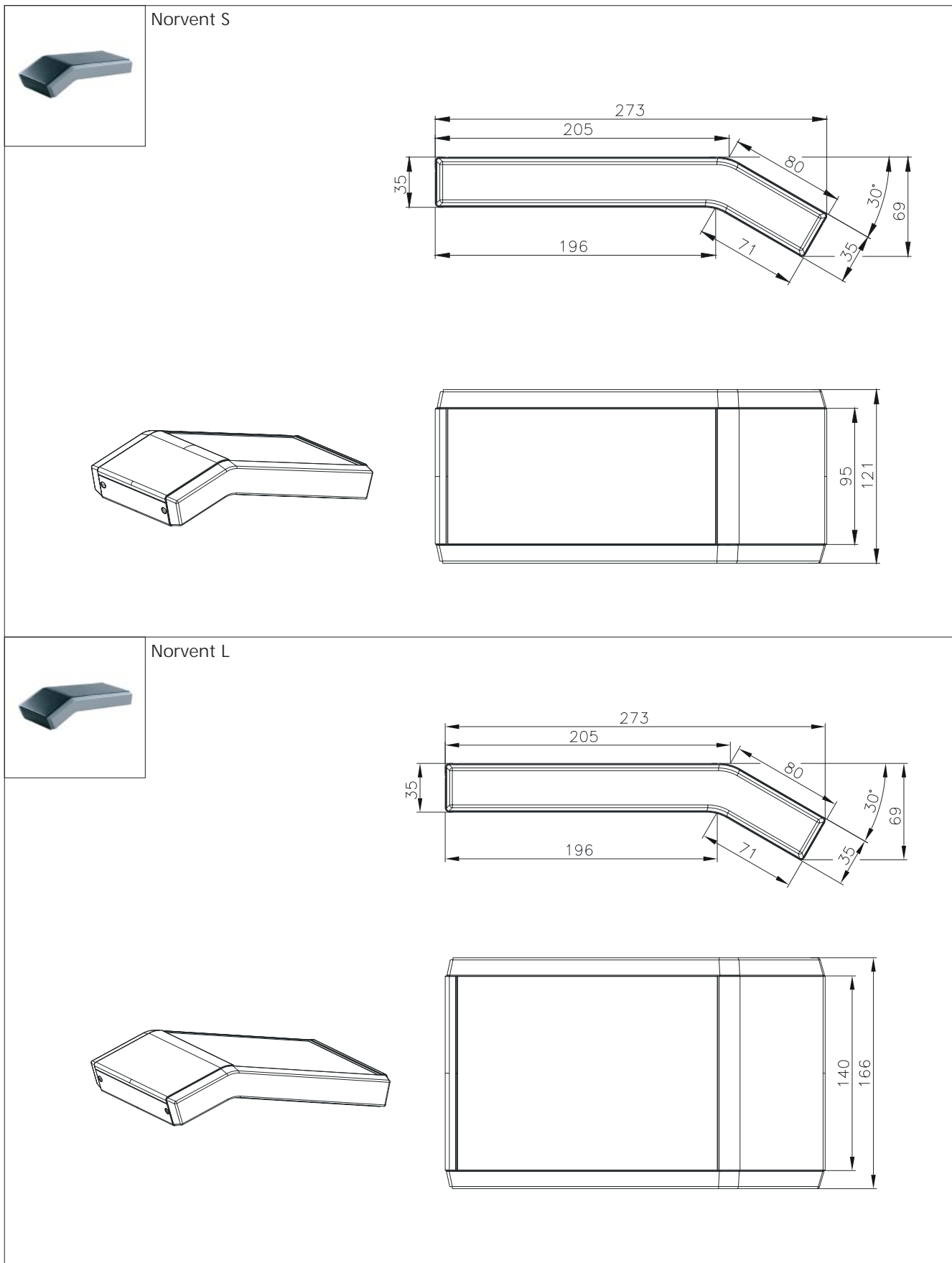
Programme range

Enclosure type	Order No.	Dimensions
		W x L x H (mm)
Norvent S	27.04 01 00	121 x 275 x 35
Norvent L	27.04 02 00	166 x 275 x 35
Norvent XL-Control	27.04 13 00	166 x 275 x 50

Accessories

Wall holder	on request
Push button and switches see page 53 - 58	

Dimensions



Norvent

Dimensions

