

## Datasheet

# RS Pro Black Nylon 66 Cable Grommet Kit, Kit incl. Easy Fit Type Grommets, 6.4 to 48.4mm dia.

RS Stock No: **549-599**



## Product Details

RS Pro black nylon 66 cable grommet kit includes 263 grommets in 18 different sizes suitable for holes between 4.8 and 45 mm diameter and panel thickness from 1.8 to 3.2 mm. It is supplied in a strong plastic box with dimensional information in the lid.

## Features and Benefits

- Black nylon 66 grommets with a convex matt finished head tapering to a thin edge to produce an attractive finish
- Locating lugs designed for a firm fit
- Continuous temperature -20 to 105°C
- Supplied in a strong plastic box with dimensional information in the lid

**Specifications:**

Cable Diameter Range	4.8 to 45 mm
Colour	Black
Kit Includes	263 Pieces x Black PVC Grommets in 18 Different Sizes
Material	Nylon 66
Maximum Cable Diameter	45 mm
Maximum Diameter	48.4 mm
Maximum Operating Temperature	+105°C
Minimum Cable Diameter	4.8 mm
Minimum Diameter	6.4 mm
Minimum Operating Temperature	-20°C
Operating Temperature Range	-20 to +105°C

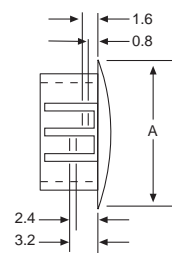
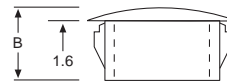
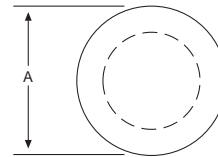
# 549-599

**GB** Blind Grommet Kit  
(Containing 263 blind grommets in 18 sizes)

**D** BLINDAUGEN-SATZ  
(Enthält 263 Blindaugen in 18 Größen)

**F** Kit d'oeillets borgnes  
(Contient 263 oeillets borgnes de 18 tailles)

**I** Corredo Rosette Cieche  
(Contiene 263 rosette cieche in 18 misure)



**GB** Grommet material nylon 66

**D** Augenmaterial Nylon 66

**F** Oeillet en nylon 66

**I** Materiale delle rosette Nylon 66

Temperature range -20°C to + 105°C

Temperaturbereich -20°C bis +105°C.

Températures d'utilisation de -20°C à + 105°C

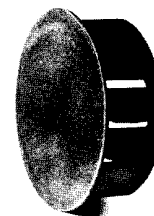
Intervallo di temperatura -20°C a +105°C

Mounting hole dia. Montageloch-Durchmesser Diamètre du trou de montage Diametro del foro di montaggio	4.8	6.4	8.0	9.5	11.0	12.7
Max. chassis thickness Maximum-Chassisdicke Epaisseur maximum du châssis Spessore massimo del telaio	1.6	1.6	1.6	3.2	3.2	3.2
Head dia. (A) Kopfdurch-messer (A) Diamètre de la tête. (A) Diametro della testa (A)	6.4	7.9	9.5	11.9	13.5	14.7
Overall height (B) Gesamthöhe (B) Hauteur totale (B) Altezza totale (B)	5.9	7.9	7.7	10.3	10.3	10.3
Mounting hole dia. Montageloch-Durchmesser Diamètre du trou de montage Diametro del foro di montaggio	14.3	15.9	17.5	19.0	20.6	22.2
Max. chassis thickness Maximum-Chassisdicke Epaisseur maximum du châssis Spessore massimo del telaio	3.2	3.2	3.2	3.2	3.2	3.2
Head dia. (A) Kopfdurch-messer (A) Diamètre de la tête. (A) Diametro della testa (A)	16.7	18.2	19.8	23.4	22.6	25.8
Overall height (B) Gesamthöhe (B) Hauteur totale (B) Altezza totale (B)	10.3	10.3	10.3	10.3	10.3	11.5
Mounting hole dia. Montageloch-Durchmesser Diamètre du trou de montage Diametro del foro di montaggio	25.4	27.8 to 28.6	32.0	35.0	38.0	45.0
Max. chassis thickness Maximum-Chassisdicke Epaisseur maximum du châssis Spessore massimo del telaio	3.2	3.2	3.2	3.2	3.2	3.2
Head dia. (A) Kopfdurch-messer (A) Diamètre de la tête. (A) Diametro della testa (A)	30.6	30.9	34.9	38.1	42.4	48.4
Overall height (B) Gesamthöhe (B) Hauteur totale (B) Altezza totale (B)	11.5	11.5	11.5	11.5	11.5	11.5

All dimensions in millimetres / Alle Maße in mm / Toutes les dimensions sont en millimètres / Tutte le dimensioni sono in millimetri

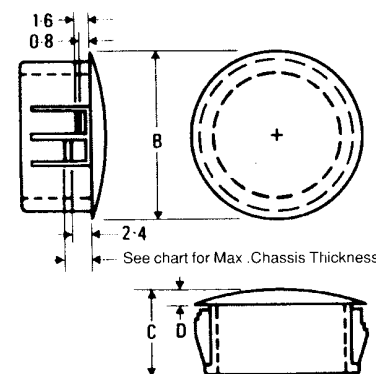
## DOME PLUGS

Recognised under the Component Program of Underwriters' Laboratories  
 File No. E-15331 & Certified by Canadian Standards Association File No. LR-8919



PART NUMBER AND COLOUR		UL / CSA DESCRIPTION	CHASSIS DIMENSIONS		PART DIMENSIONS		
Black	White		Mounting Hole Dia.	Maximum Thickness	B Head Diameter	C Overall Height	D Head Height
* 430 2590	430 2591	DP-187	4.8	1.6	6.4	5.9	1.6
430 2603	430 2604	DP-250	6.4	1.6	7.9	7.9	1.6
430 2613	430 2614	DP-312	8.0	1.6	9.5	7.9	1.6
430 2617	430 2618	DP-375	9.5	3.2	11.9	10.3	1.6
430 2633	430 2634	DP-437	11.0	3.2	13.5	10.3	1.6
430 2643	430 2644	DP-500	12.7	3.2	14.7	10.3	1.6
430 2653	430 2654	DP-562	14.3	3.2	16.7	10.3	1.6
430 2663	430 2664	DP-625	15.9	3.2	18.2	10.3	1.6
430 2128	430 2130	MDP 16	16.0	2.5	18.5	10.3	1.6
430 2673	430 2674	DP-687	17.5	3.2	19.8	10.3	1.6
430 2683	430 2684	DP-750	19.0	3.2	23.4	10.3	1.6
430 2131	430 2132	MDP 20	20.0	2.5	22.6	10.3	1.6
430 2693	430 2694	DP-812	20.6	3.2	22.6	10.3	1.6
430 2703	430 2704	DP-875	22.2	3.2	25.8	11.5	1.6
430 2133	430 2134	MDP 25	25.0	2.5	29.8	11.5	1.6
430 2713	430 2714	DP-1000	25.4	3.2	30.6	11.5	1.6
430 2723	430 2724	DP-1093	27.8 to 28.6	3.2	30.9	11.5	1.6
430 2733	430 2734	DP-1187	30.0	3.2	33.3	11.5	1.6
430 2740	430 2741	DP-1250	32.0	3.2	34.9	11.5	1.6
430 2753	430 2754	DP-1375	35.0	3.2	38.1	11.5	1.6
430 2763	430 2764	DP-1500	38.0	3.2	42.4	11.5	1.6
430 2773	430 2774	DP-1750	45.0	3.2	48.4	11.5	1.6
430 2783	430 2784	DP-2000	51.0	3.2	54.4	11.5	1.6
430 2403	430 2404	DP-2-093	53.2 to 54.0	6.4	59.5	19.1	2.8
430 2411	430 2412	DP-2-25	57.2	6.4	61.5	19.1	2.8
430 2790	430 2791	DP-2-5	64.0	6.4	69.0	19.1	2.8
430 2455	430 2456	DP-3-0	76.2	6.4	80.5	19.1	2.8
430 2482	430 2483	DP-3-375	85.7	6.4	92.9	19.1	2.8
430 2464	430 2465	DP-3-5	88.9	6.4	92.9	19.1	2.8
430 2473	430 2474	DP-4-0	101.6	6.4	105.6	19.1	2.8

Close your unwanted chassis holes quickly, easily and at low cost. Nylon makes these Dome Plugs suitable for use at elevated temperatures. 30 sizes available for 4.8 to 101.6mm diameter holes. They lock firmly in panels of suitable thickness. The convex matt finish head tapers to a thin edge presenting an excellent appearance.



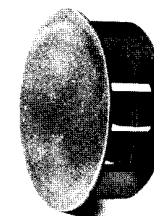
Material - **NYLON 66**

\* These parts have **GLOSS** finish

Tolerances: B, C & D = ± .41

## DOME PLUGS - HALOGEN-FREE

Recognised under the Component Program of Underwriters' Laboratories  
 File No. E-15331 & Certified by Canadian Standards Association File No. LR-8919



PART NUMBER AND COLOUR		UL / CSA DESCRIPTION	CHASSIS DIMENSIONS		PART DIMENSIONS		
Black			Mounting Hole Dia.	Maximum Thickness	B Head Diameter	C Overall Height	D Head Height
431 2593		HFP-187	4.8	1.6	6.4	5.9	1.6
431 2606		HFP-250	6.4	1.6	7.8	7.9	1.6
431 2616		HFP-312	8.0	1.6	9.5	7.9	1.6
431 2623		HFP-375	9.5	3.2	12.0	10.3	1.6
431 2636		HFP-437	11.0	3.2	13.5	10.3	1.6
431 2646		HFP-500	12.7	3.2	14.7	10.3	1.6
431 2656		HFP-562	14.3	3.2	16.7	10.3	1.6
431 2666		HFP-625	15.9	3.2	18.3	10.3	1.6
431 2676		HFP-687	17.5	3.2	19.8	10.3	1.6
431 2686		HFP-750	19.0	3.2	23.4	10.3	1.6
431 2696		HFP-812	20.6	3.2	22.6	10.3	1.6
431 2706		HFP-875	22.2	3.2	25.8	11.5	1.6
431 2716		HFP-1000	25.4	3.2	30.6	11.5	1.6
431 2729		HFP-1093	27.8 to 28.6	3.2	31.0	11.5	1.6

Material - **NYLON 66 - Proprietary Halogen-Free Flame Retardant System**

Tolerances: B, C & D = ± .41

Moulded from a proprietary nylon rated UL 94V-0 to 0.44mm which, in the event of a fire, will not burn and will not produce toxic gases. It is also formulated for sunlight resistance. The convex matt finish head tapers to a thin edge. 14 sizes for use in 4.7 to 28.6mm diameter holes. Consult our Sales Office for larger sizes.

Other products are available in this material - please consult our Sales Office.