

Datasheet

Stainless Steel Threaded Fitting Hose Nipple

RS Stock number [499-3798](#)



Features:

Stainless Steel
150lbs fittings
Material: S/S 316
With BSP Screwed end
Investment casting
Barrel nipple is made from S/40 pipe

Specifications:

Connection 1: 1 ½ in R Male
Connection 2: 40 mm Barbed Male
Connection Gender 1: Male
Connection Gender 2: Male
Fitting Type: Hose Nipple
Thread Size 1: 1 ½ in
Thread Standard 1: R

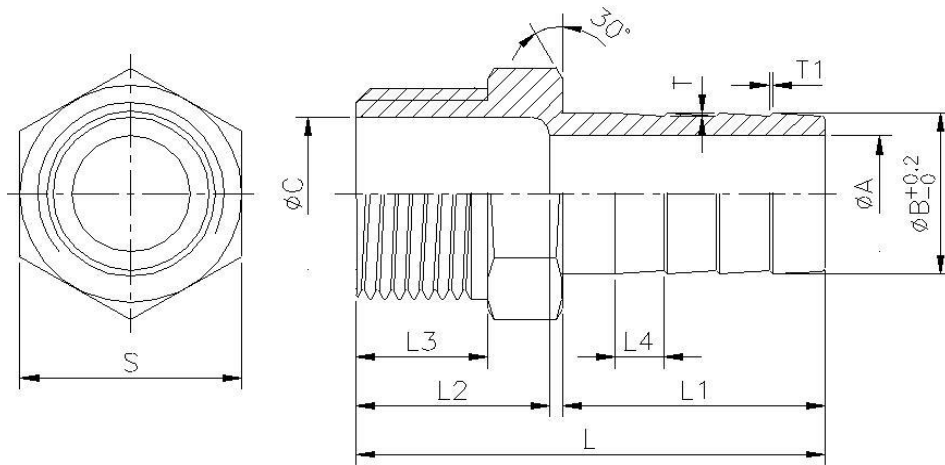


Figure 1

Measurements:

A	B	C	L	L1	L2	L3	L4	S	T	T1	Weight (kg)
33.3	40	39.5	80	47.5	28	22	9.2	50	0.5	0.5	0.283

All measurements given in the above table are given in mm unless otherwise stated. These measurements are for Figure 1 above.