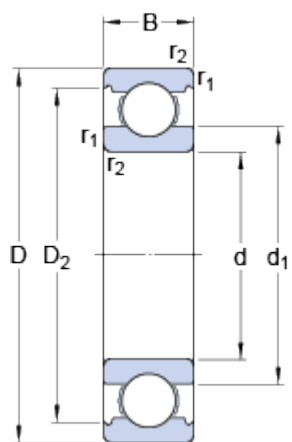


# 6217

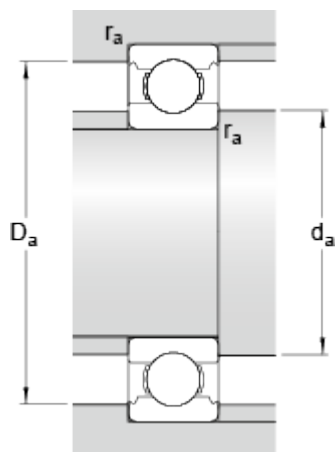
SKF Explorer

## Dimensions



d		85	mm
D		150	mm
B		28	mm
d <sub>1</sub>	≈	106.05	mm
D <sub>2</sub>	≈	134.3	mm
r <sub>1,2</sub>	min.	2	mm

## Abutment dimensions



d <sub>a</sub>	min.	96	mm
D <sub>a</sub>	max.	139	mm
r <sub>a</sub>	max.	2	mm

## Calculation data

Basic dynamic load rating	C	87.1	kN
Basic static load rating	C <sub>0</sub>	64	kN
Fatigue load limit	P <sub>u</sub>	2.5	kN
Reference speed		9000	r/min
Limiting speed		5600	r/min
Calculation factor	k <sub>r</sub>	0.025	
Calculation factor	f <sub>0</sub>	14.7	

## Mass

Mass bearing		1.801	kg
--------------	--	-------	----