

INTERFACE MODULES & SUPPORTS

Euro series 107mm Empty Modular Interface Support

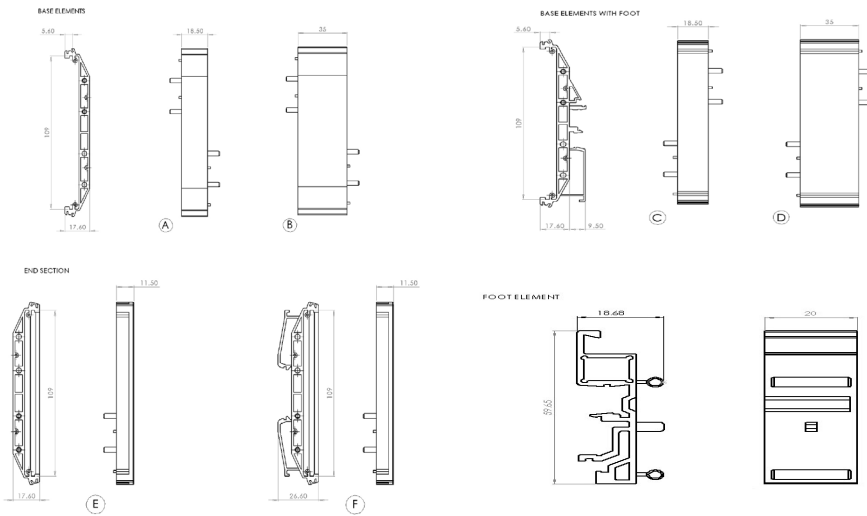
- Suitable for 107mm width PCB's
- Modular Construction for easy assembly
- Snap fit Din Rail mounting fixtures
- Moulded in green UL 94V0 flame retardant PA
- Terminal blocks available in same colour
- Integral marker facility
- Integral Din rail mounting clip



PCB LENGTH	END SECTION 11.5mm	BASE ELEMENT		PART COUNT
		18.5mm	35mm	
20mm	2			2
38.5mm	2	1		3
55mm	2		1	3
73.5mm	2	1	1	4
90mm	2		2	4
108.5mm	2	1	2	5
125mm	2		3	5
143.5mm	2	1	3	6
160mm	2		4	6
178.5mm	2	1	4	7
195mm	2		5	7
213.5mm	2	1	5	8
230mm	2		6	8
248.5mm	2	1	6	9
265mm	2		7	9

TYPE NO.	DESCRIPTION	WIDTH
CIME/E/BE1850S	Base element	18.5mm
CIME/E/BE3500S	Base element	35mm
CIME/E/BEF1850S	Base element with foot	18.5mm
CIME/E/BEF3500S	Base element with foot	35mm
CIME/E/SE1000S	End Section	11.5mm
CIME/E/SEF1000S	End Section with foot	11.5mm

The Table above shows how, for a given PCB Length, modules can be selected to make an interface support



Wall Mounting Plates

- Flush and raised surface mounting plates
- Press into sides of end section without tool
- Use foot element on long lengths with raised plates

TYPE NO	STYLE
CIME/E/MPF	Flush
CIME/E/MPR	Raised

