

Lumination™ LED Luminaires

ET Series



Product information

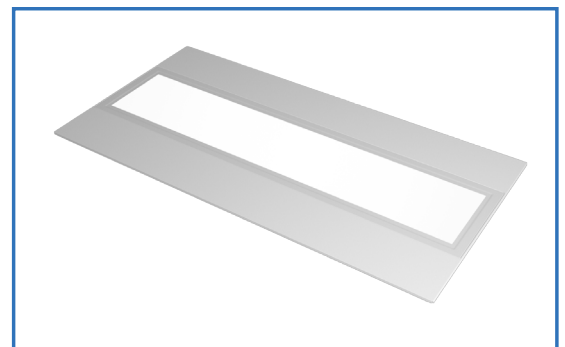
GE Lumination™ LED Luminaires transform ambient lighting into an exquisite balance of refined appearance and superior efficiency. When illuminated, the panels deliver exceptional uniform light to the space and while off they appear completely free of a visible light source.

Features & benefits

- Choice of design aesthetic and superior performances
- Uniform illuminating surface: no led "dots"
- Sustainable green choice for Energy Saving
- Up to 85 lm/W delivered at 4000k
- RoHS compliant, mercury free
- Durable and reliable
- Continuously dimmable as standard (1-10V or DALI)
- Long life (up to 50,000 hours @ L85)
- Enhanced visual performance – UGR <19/22
- Enhanced emotional light experience
- Compliant to photo biological safety standard
- No IR or UV radiation
- Easy install & maintenance
- Compatible with sensors and external controls

Applications

- General lighting
- Office, retail, healthcare, education



Ordering Data

ET22 – A/B Series (UGR <19)

Product Code	Product Description	Colour Temperature [K]	Watt [W]	Beam Pattern	Lumen [lm]	Ceiling Type	Dimming Controller
66503	ET227A1AVWHTe 595X595 1-10 3000K MED	3000	50	Medium	3220	15mm or 24mm exposed tee grid <i>See Grid Compatibility details.</i>	1-10V
66501	ET227A2AVWHTe 595X595 1-10 3500K MED	3500	50	Medium	3280		1-10V
66502	ET227A3AVWHTe 595X595 1-10 4000K MED	4000	50	Medium	3500		1-10V
66506	ET227A1ADWHTe 595X595 DALI 3000K MED	3000	50	Medium	3220		DALI
66504	ET227A2ADWHTe 595X595 DALI 3500K MED	3500	50	Medium	3280		DALI
66505	ET227A3ADWHTe 595X595 DALI 4000K MED	4000	50	Medium	3500		DALI
66509	ET227B1AVWHTe 595X595 1-10 3000K WDE	3000	50	Wide	3220		1-10V
66507	ET227B2AVWHTe 595X595 1-10 3500K WDE	3500	50	Wide	3280		1-10V
66508	ET227B3AVWHTe 595X595 1-10 4000K WDE	4000	50	Wide	3500		1-10V
66512	ET227B1ADWHTe 595X595 DALI 3000K WDE	3000	50	Wide	3220		DALI
66510	ET227B2ADWHTe 595X595 DALI 3500K WDE	3500	50	Wide	3280		DALI
66511	ET227B3ADWHTe 595X595 DALI 4000K WDE	4000	50	Wide	3500		DALI

ET14 – A Series (UGR <19)

Product Code	Product Description	Colour Temperature [K]	Watt [W]	Beam Pattern	Lumen [lm]	Ceiling Type	Dimming Controller
67380	ET147A1AVWHTe 1184X284 1-10 3000K MED	3000	47	Medium	3750	15mm or 24mm exposed tee grid ceiling <i>See Grid Compatibility details.</i>	1-10V
67378	ET147A2AVWHTe 1184X284 1-10 3500K MED	3500	47	Medium	3750		1-10V
67379	ET147A3AVWHTe 1184X284 1-10 4000K MED	4000	47	Medium	4000		1-10V
67383	ET147A1ADWHTe 1184X284 DALI 3000K MED	3000	47	Medium	3750		DALI
67381	ET147A2ADWHTe 1184X284 DALI 3500K MED	3500	47	Medium	3750		DALI
67382	ET147A3ADWHTe 1184X284 DALI 4000K MED	4000	47	Medium	4000		DALI
67386	ET147A1BVWHTe 1184X284 1-10 3000K MED	3000	47	Medium	3750	15mm / 8mm designer grid <i>See Grid Compatibility details.</i>	1-10V
67384	ET147A2BVWHTe 1184X284 1-10 3500K MED	3500	47	Medium	3750		1-10V
67385	ET147A3BVWHTe 1184X284 1-10 4000K MED	4000	47	Medium	4000		1-10V
67389	ET147A1BDWHTe 1184X284 DALI 3000K MED	3000	47	Medium	3750		DALI
67387	ET147A2BDWHTe 1184X284 DALI 3500K MED	3500	47	Medium	3750		DALI
67388	ET147A3BDWHTe 1184X284 DALI 4000K MED	4000	47	Medium	4000		DALI

ET14 – C Series (UGR <21)

Product Code	Product Description	Colour Temperature [K]	Watt [W]	Beam Pattern	Lumen [lm]	Ceiling Type	Dimming Controller
68988	ET147C1AVWHTe 1184X284 1-10 3000K MED	3000	54	Medium	4200	15mm or 24mm exposed tee grid ceiling <i>See Grid Compatibility details.</i>	1-10V
68986	ET147C2AVWHTe 1184X284 1-10 3500K MED	3500	54	Medium	4200		1-10V
68987	ET147C3AVWHTe 1184X284 1-10 4000K MED	4000	54	Medium	4500		1-10V
68991	ET147C1ADWHTe 1184X284 DALI 3000K MED	3000	54	Medium	4200		DALI
68989	ET147C2ADWHTe 1184X284 DALI 3500K MED	3500	54	Medium	4200		DALI
68990	ET147C3ADWHTe 1184X284 DALI 4000K MED	4000	54	Medium	4500		DALI
68997	ET147C1BVWHTe 1184X284 1-10 3000K MED	3000	54	Medium	4200	15mm / 8mm designer grid <i>See Grid Compatibility details.</i>	1-10V
68995	ET147C2BVWHTe 1184X284 1-10 3500K MED	3500	54	Medium	4200		1-10V
68996	ET147C3BVWHTe 1184X284 1-10 4000K MED	4000	54	Medium	4500		1-10V
69000	ET147C1BDWHTe 1184X284 DALI 3000K MED	3000	54	Medium	4200		DALI
68998	ET147C2BDWHTe 1184X284 DALI 3500K MED	3500	54	Medium	4200		DALI
68999	ET147C3BDWHTe 1184X284 DALI 4000K MED	4000	54	Medium	4500		DALI

ET24 – A Series (UGR <19)

Product Code	Product Description	Colour Temperature [K]	Watt [W]	Beam Pattern	Lumen [lm]	Ceiling Type	Dimming Controller
67610	ET247A1AVWHTe 1195X595 1-10 3000K MED	3000	47	Medium	3750	15mm or 24mm exposed tee grid ceiling <i>See Grid Compatibility details.</i>	1-10V
67608	ET247A2AVWHTe 1195X595 1-10 3500K MED	3500	47	Medium	3750		1-10V
67609	ET247A3AVWHTe 1195X595 1-10 4000K MED	4000	47	Medium	4000		1-10V
67613	ET247A1ADWHTe 1195X595 DALI 3000K MED	3000	47	Medium	3750		DALI
67611	ET247A2ADWHTe 1195X595 DALI 3500K MED	3500	47	Medium	3750		DALI
67612	ET247A3ADWHTe 1195X595 DALI 4000K MED	4000	47	Medium	4000		DALI

ET24 – C Series (UGR <21)

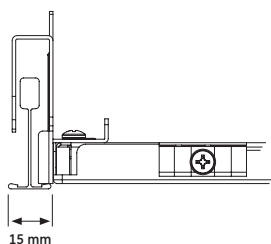
Product Code	Product Description	Colour Temperature [K]	Watt [W]	Beam Pattern	Lumen [lm]	Ceiling Type	Dimming Controller
69210	ET247C1AVWHTe 1195X595 1-10 3000K MED	3000	54	Medium	4200	15mm or 24mm exposed tee grid ceiling <i>See Grid Compatibility details.</i>	1-10V
69208	ET247C2AVWHTe 1195X595 1-10 3500K MED	3500	54	Medium	4200		1-10V
69209	ET247C3AVWHTe 1195X595 1-10 4000K MED	4000	54	Medium	4500		1-10V
69213	ET247C1ADWHTe 1195X595 DALI 3000K MED	3000	54	Medium	4200		DALI
69211	ET247C2ADWHTe 1195X595 DALI 3500K MED	3500	54	Medium	4200		DALI
69212	ET247C3ADWHTe 1195X595 DALI 4000K MED	4000	54	Medium	4500		DALI

Specifications

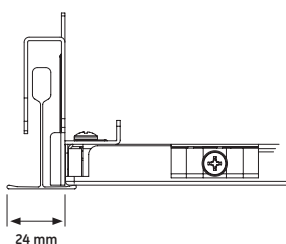
	ET22	ET14 A-series	ET14 C-series	ET24 A-series	ET24 C-series
Input Voltage [V]	120-277	120-277	120-277	120-277	120-277
Input Power [W]	50	47	54	47	54
Input Frequency [Hz]	50/60	50/60	50/60	50/60	50/60
Power Factor	>0.9	>0.9	>0.9	>0.9	>0.9
Lumen Output [lm]	3220 (3000K) 3280 (3500K) 3500 (4000K)	3750 (3000K) 3750 (3500K) 4000 (4000K)	4200 (3000K) 4200 (3500K) 4500 (4000K)	3750 (3000K) 3750 (3500K) 4000 (4000K)	4200 (3000K) 4200 (3500K) 4500 (4000K)
CCT [K]	3000 / 3500 / 4000	3000 / 3500 / 4000	3000 / 3500 / 4000	3000 / 3500 / 4000	3000 / 3500 / 4000
CRI	80	80	80	80	80
Efficiency [lm/W]	65 (3000K) 66 (3500K) 70 (4000K)	80 (3000K) 80 (3500K) 85 (4000K)	78 (3000K) 78 (3500K) 83 (4000K)	80 (3000K) 80 (3500K) 85 (4000K)	78 (3000K) 78 (3500K) 83 (4000K)
Control	1-10V or DALI	1-10V or DALI	1-10V or DALI	1-10V or DALI	1-10V or DALI
Ceilings	15mm or 24mm exposed tee grid ceiling	15mm or 24mm exposed tee grid ceiling or 15mm/8mm designer grid. <i>See Grid Compatibility details below.</i>	15mm or 24mm exposed tee grid ceiling or 15mm/8mm designer grid. <i>See Grid Compatibility details below.</i>	15mm or 24mm exposed tee grid	15mm or 24mm exposed tee grid
Life [L%, h]	50,000 [L85]	50,000 [L82]	50,000 [L82]	50,000 [L82]	50,000 [L82]
Warranty [years]	5	5	5	5	5
Files Available	LM79, LM80, TM21 & IES	LM79, LM80, TM21 & IES	LM79, LM80, TM21 & IES	LM79, LM80, TM21 & IES	LM79, LM80, TM21 & IES
Dimensions [mm] (with electrical enclosure)	595 × 595 × 63	1184 × 284 × 64	1184 × 284 × 64	1195 × 595 × 67	1195 × 595 × 67
Weight [kg]	<7	<8	<8	<11	<11
Humidity	20 to 80% non-condensing, dry locations only	20 to 80% non-condensing, dry locations only	20 to 80% non-condensing, dry locations only	20 to 80% non-condensing, dry locations only	20 to 80% non-condensing, dry locations only
Operating Temperature Range [°C]	-10 to +35	-10 to +35	-10 to +35	-10 to +35	-10°C to +35
Storage Temperature Range [°C]	-40 to +60	-40 to +60	-40 to +60	-40 to +60	-40°C to +60
UGR	<19/22 depending on beam pattern for office applications in compliance with EN 12464				
IP Rating (general)	IP30	IP30	IP30	IP30	IP30
IP Rating (front face only)	IP54	IP30	IP30	IP30	IP30

Grid Compatibility

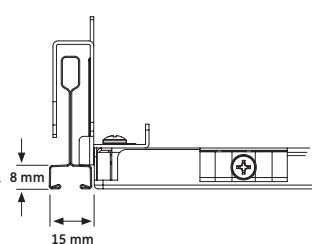
15 mm exposed tee grid



24 mm exposed tee grid

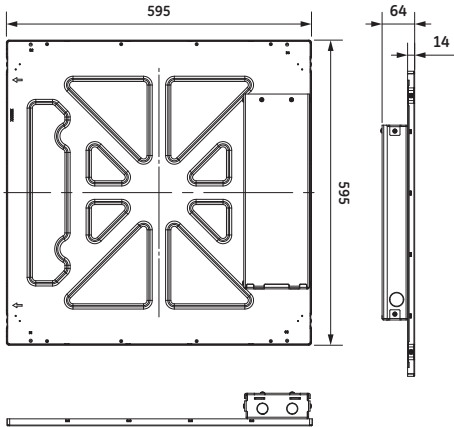


15/8 mm designer grid



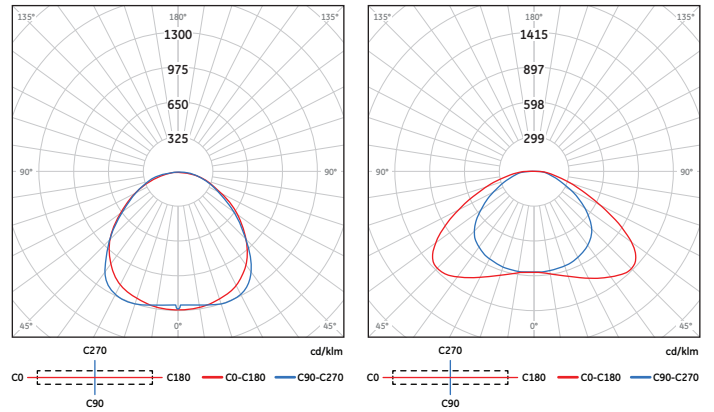
Dimensions [mm]

ET22

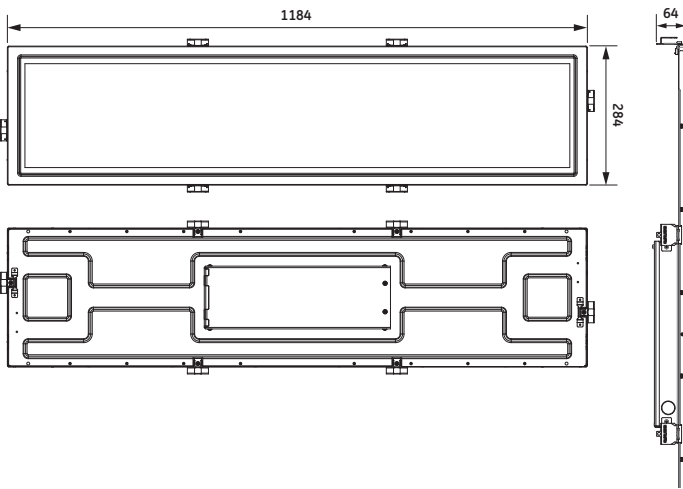


Polar Distribution

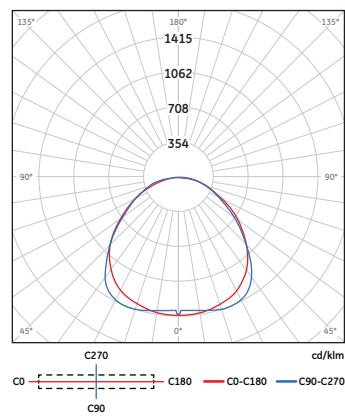
ET22



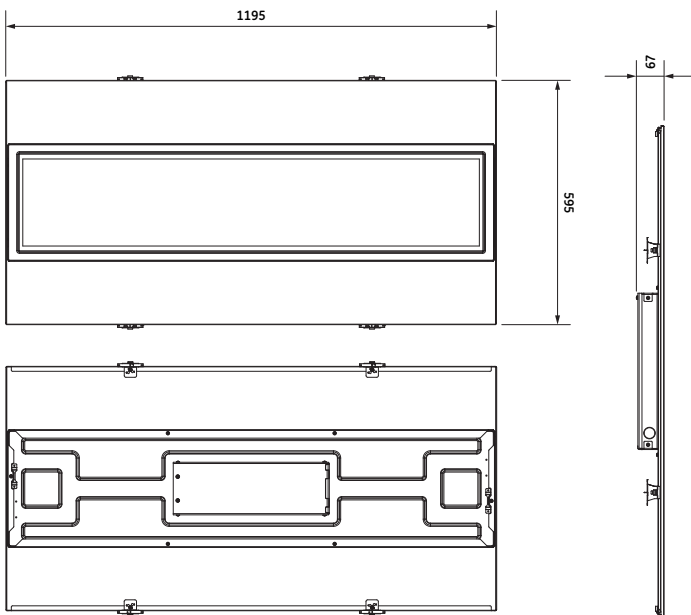
ET14



ET14



ET24



ET24

