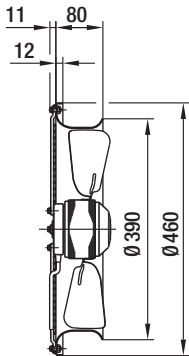
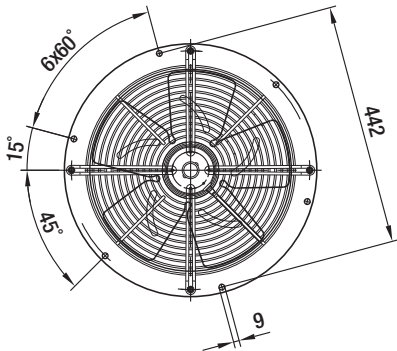




With full round nozzle



< "V"
"A" >



Luftleistungskennlinien

| TYP | MESSNR. | U [V] | F [Hz] |
|-------------------|---------|-------|--------|
| W40350CA04-52 01A | 6907 | 460Y | 60 |

