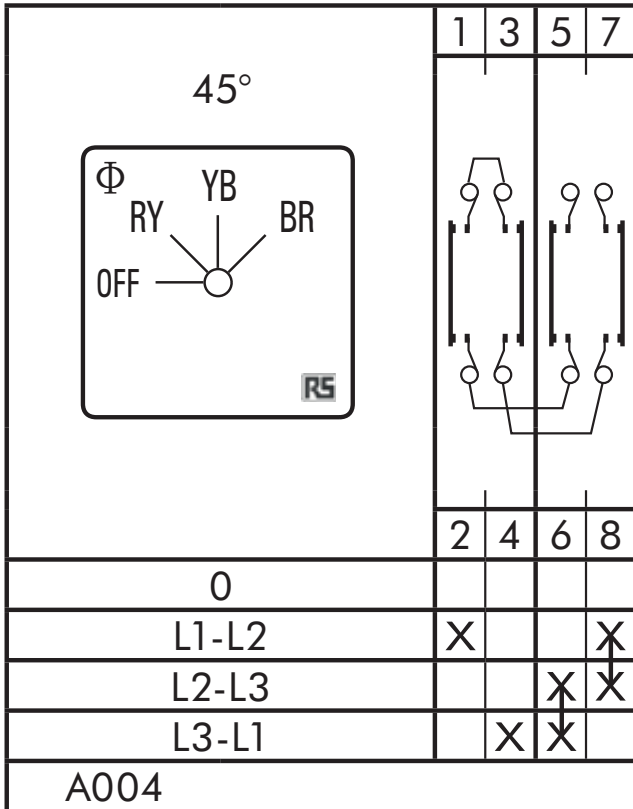


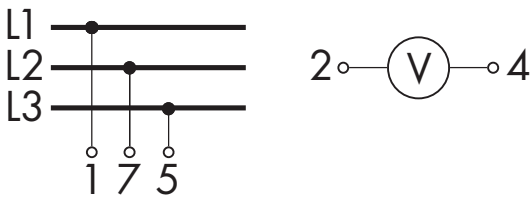


CA10 A004/GBA002 \*FT2

Product Data

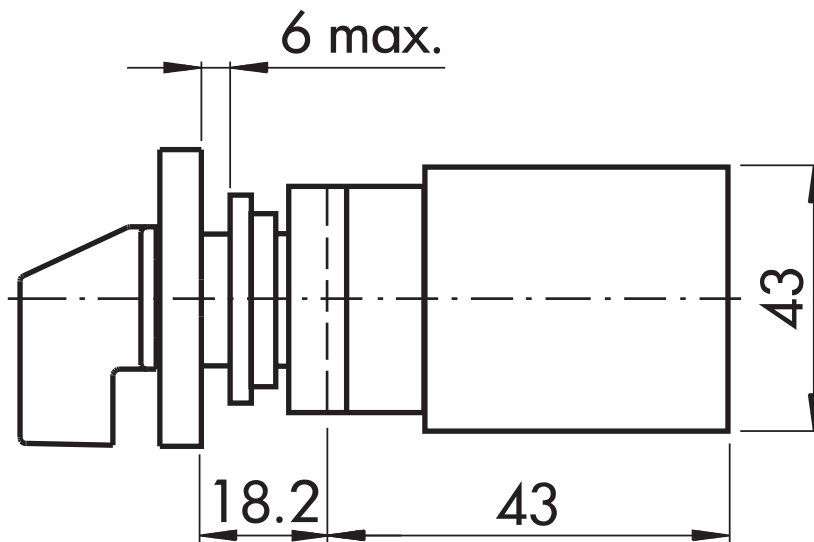
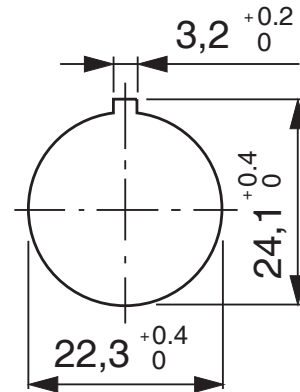
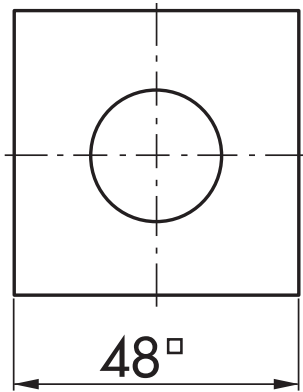


- Switch type = CA10, ratings as per page 3.
- 3 phase, 3 wire with "OFF" voltmeter switch.
- Switch function = A004, switch chart and connection diagram as shown left.
- Mounting type = FT2, single hole, 22.5 Dia.
- Black handle.





Dimensional Data





## CA10 - Electrical Rating Data

Main Contacts, AC Values to IEC 60947, BS EN 60947			
Rated Insulation Voltage, $U_i$ <sup>1)</sup>			690V
Rated Thermal Current, $I_{th}$			20A
Rated Operational Current, $I_e$			
AC-20A	No-Load operation		20A
AC-21A	Switching of resistive loads, including moderate overloads		20A
AC-22A	Switching of combined resistive or low inductive loads, including moderate overloads		20A
AC-15	Switching of control devices, contactors, valves etc.	220V - 240V	5A
		380V - 440V	4A
Rated Utilization Category			
AC-2	Slip ring motor starting, reversing and plugging, star-delta starting, 3 phase, 3pole.	220V - 240V	4kW
		380V - 440V	7.5kW
		500V	10kW
		660V - 690V	10kW
AC-3	Direct-on-Line starting, star-delta starting, 3 phase, 3pole.	220V - 240V	3kW
		380V - 440V	5.5kW
		500V	5.5kW
		660V - 690V	5.5kW
AC-4	Direct-on-Line starting, reversing, plugging and inching 3 phase, 3pole.	220V - 240V	0.55kW
		380V - 440V	1.5kW
		500V	1.5kW
		660V - 690V	1.5kW
AC-23A	Frequent switching of motors or other high inductive loads 3 phase, 3pole.	220V - 240V	3.7kW
		380V - 440V	7.5kW
		500V	7.5kW
		660V - 690V	7.5kW
Short Circuit Protection			
Max. fuse size (gL/gG-characteristic)			25A
Rated short-time withstand current (1 second)			140A
Max. Permissible Wire Gage - copper wires only			
Single-core or stranded wire			2 x 2.5mm <sup>2</sup>
Flexible wire			2 x 2.5mm <sup>2</sup>

<sup>1)</sup> Valid for lines with grounded common neutral termination, overvoltage category III.