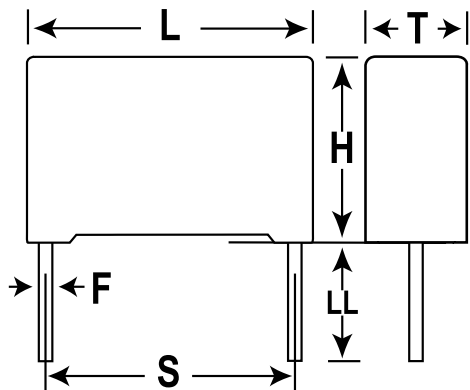


**KEMET Part Number: MMK27.5105K400F11L4TRAY**  
(F601FE105K400C, MMK27,5105K400F11L4TRAY)

Capacitor, Film, Metallized Polyester, 1 uF, +/-10% Tol, -55/+100C, General Purpose, 400 VDC@85C, Lead Spacing=27.5 mm, Not For New Design, Please Check Possible Alternative Parts (AltPart)



Dimensions (mm)		
Symbol	Dimension	Tolerance
L	31.5	MAX
H	20.5	MAX
T	10.5	MAX
S	27.5	+/-0.4
LL	5	NOM
F	0.8	NOM

Packaging Specifications	
Package Kind:	Bulk
Package Type:	Tray
Package Quantity:	216

General Information	
Supplier:	KEMET
Dielectric:	Metallized Polyester
Application:	General Purpose
Style:	Radial Box
Lead Form:	Wire Leads
Features:	Pulse
RoHS:	Yes

Specifications	
Capacitance:	1 uF
Voltage:	400 VDC
Tolerance:	+/-10%
Voltage AC:	200 VAC
Voltage:	310 VDC (100C)
Rated Temperature:	85C
Temperature Range:	-55/+100C
Dissipation Factor @ 1 kHz:	0.8%
Dissipation Factor @ 10 kHz:	1.5%
Insulation Resistance:	10 GOhm
Inductance:	6
Maximum dVdT:	8 v/us
Miscellaneous:	Not For New Design, Please Check Possible Alternative Parts (AltPart)