

Inductive Sensors

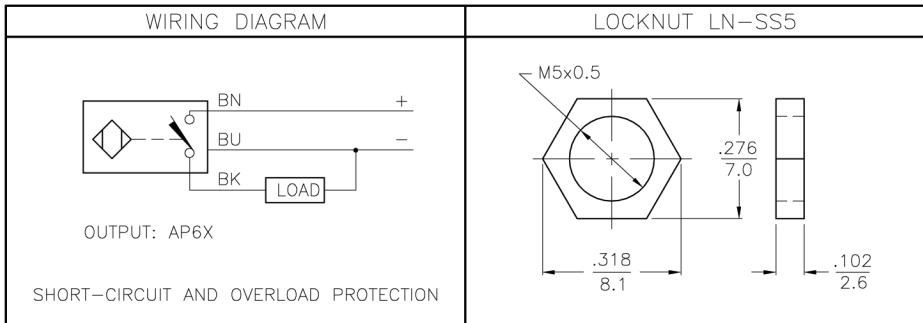


Housing Style	Part Number	ID Number	Features	Sensing Range (mm)	Output
3 mm - Embeddable, Miniature Smooth Barrel, Potted-In Cable 	Bi 1-EH03-AN7X*	M1619323	TTL Compatible	1	3-Wire DC NPN
	Bi 1-EH03-AP7X*	M1619322	TTL Compatible	1	3-Wire DC PNP
4 mm - Embeddable, Miniature Smooth Barrel, Potted-In Cable 	Bi 1-EH04-AN6X	S4609640		1	3-Wire DC NPN
	Bi 1-EH04-AP6X	S4609540		1	3-Wire DC PNP
	Bi 1-EH04-Y1	S1003040		1	2-Wire DC NAMUR
5 mm - Embeddable, Miniature Threaded Barrel, Potted-In Cable 	Bi 1-EG05-AN6X	S4609840		1	3-Wire DC NPN
	Bi 1-EG05-AP6X	S4609740		1	3-Wire DC PNP
	Bi 1-EG05-Y1	S1003240		1	2-Wire DC NAMUR

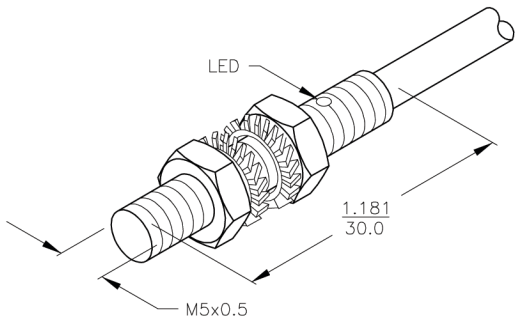
* Flush mountable only in non-ferrous metals.



Voltage	Switching Freq. (Hz)	Operating Current (mA)	Operating Temp. (°C)	Protection	Housing	Face	End Cap	Power LED	Output LED	Cable Length/ Cable Mat.	Wiring Diagram #	Wiring Diagrams
10-30 VDC	5000	≤100	-25 to +70	IP 67	SS	PA 12	TROG	N/A	YE	2M/PUR	1	<p>Diagram 1</p>
10-30 VDC	5000	≤100	-25 to +70	IP 67	SS	PA 12	TROG	N/A	YE	2M/PUR	2	<p>Diagram 2</p>
10-30 VDC	3000	≤100	-25 to +70	IP 67	SS	PA 12	TROG	N/A	YE	2M/PUR	1	<p>Diagram 3</p>
10-30 VDC	3000	≤100	-25 to +70	IP 67	SS	PA 12	TROG	N/A	YE	2M/PUR	2	
5-30 VDC	5000	Remote	-25 to +70	IP 67	SS	PA 12	TROG	N/A	N/A	2M/PVC	3	
10-30 VDC	3000	≤100	-25 to +70	IP 67	SS	PA 12	TROG	N/A	YE	2M/PUR	1	
10-30 VDC	3000	≤100	-25 to +70	IP 67	SS	PA 12	TROG	N/A	YE	2M/PUR	2	
5-30 VDC	5000	Remote	-25 to +70	IP 67	SS	PA 12	TROG	N/A	N/A	2M/PVC	3	



SPECIFICATIONS	
OPERATING VOLTAGE	10-30 VDC
RIPPLE	≤ 10%
DIFFERENTIAL TRAVEL (HYSTERESIS)	3-15% (5% TYPICAL)
VOLTAGE DROP ACROSS CONDUCTING SENSOR	≤ 1.8 V at 150 mA
OUTPUT FUNCTION	NORMALLY OPEN 3-WIRE DC SELF-CONTAINED
TRIGGER CURRENT FOR OVERLOAD PROTECTION	≥ 170 mA
CONTINUOUS LOAD CURRENT	≤ 150 mA
OFF-STATE (LEAKAGE) CURRENT	< 100 uA
NO-LOAD CURRENT	≤ 1.0-9.5 mA
TIME DELAY BEFORE AVAILABILITY	≤ 8 ms
POWER-ON EFFECT PROTECTION	Per IEC 947-5-2
REVERSE POLARITY PROTECTION	INCORPORATED
WIRE-BREAK PROTECTION	INCORPORATED
PROTECTION AGAINST TRANSIENTS	INCORPORATED
OPERATING TEMPERATURE	-25°C to +70°C (-13°F to +158°F)
ENCLOSURE	MEETS NEMA 1, 3, 4, 6, 13 AND IEC IP67
SHOCK	30 g, 11 ms
VIBRATION	55 Hz, 1 mm AMPLITUDE (IN ALL 3 PLANES)
LED FUNCTION	ON: OUTPUT ENERGIZED
RATED OPERATING DISTANCE(S _n)	1.0 mm = .039" (NOMINAL)
SWITCHING FREQUENCY	3000 Hz
REPEATABILITY	≤ 2% of RATED OPERATING DISTANCE
EMBEDDABLE (SHIELDED)	YES



**NOTE
PRELIMINARY
SPECIFICATIONS**

<p>RELATED DOCUMENTS</p> <ol style="list-style-type: none"> 1. 2. 3. 4. 				<p>3RD ANGLE PROJECTION</p>	<p>THIS DOCUMENT IS PROPERTY OF TURCK INC. USE OF THIS DOCUMENT WITHOUT WRITTEN PERMISSION IS PROHIBITED.</p> <p>TURCK INC <i>High Technology Sensors and Automation Controls</i></p>				
<p>MATERIAL</p> <p>STAINLESS STEEL</p>				<p>TOLERANCES UNLESS OTHERWISE SPECIFIED</p> <p>.X ±0.02 .XX ±0.01 .XXX ±0.005 ANGLES ±1°</p> <p>ALL MILLIMETER DIMENSIONS ARE REFERENCE ONLY</p>	<p>DRFT IK</p>	<p>DATE 01/27/00</p>	<p>DESCRIPTION</p> <p>Bi 1-EG05-AP6X</p>		
<p>FINISH</p>				<p>UNIT OF MEASUREMENT</p> <p>INCH [MILLIMETER]</p> <p>DO NOT SCALE THIS DRAWING</p>			<p>IDENTIFICATION NO.</p> <p>S4609740</p>		<p>REV</p> <p>P1</p>
P1		IK	01/27/00				FILE: S4609740		SHEET 1 OF 1
REV	DESCRIPTION	BY	DATE	ECO NO.					