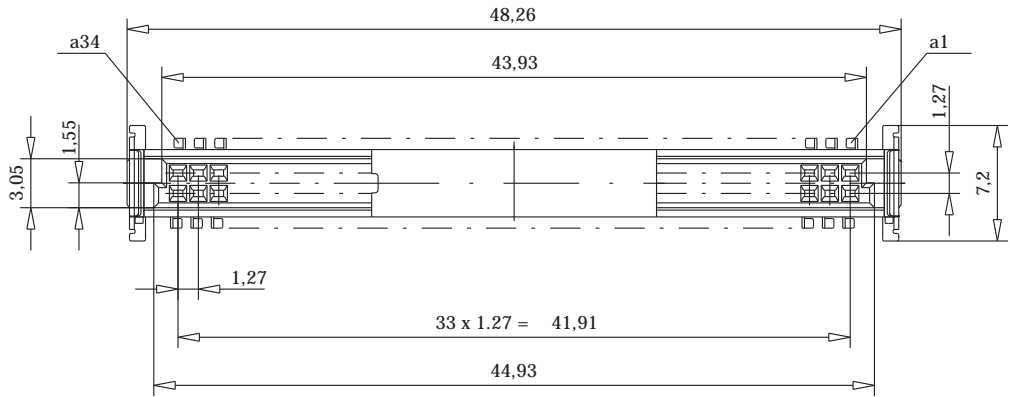
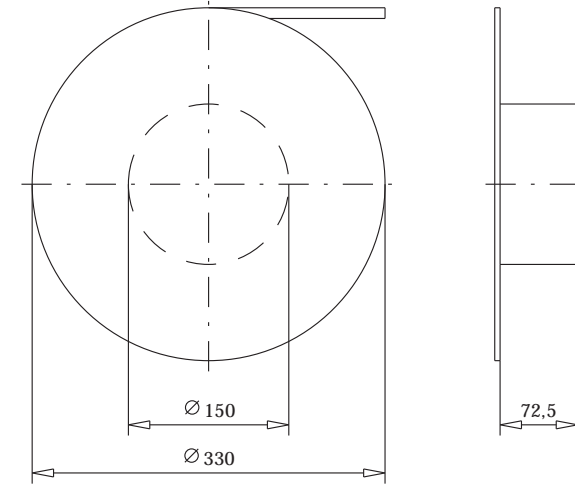
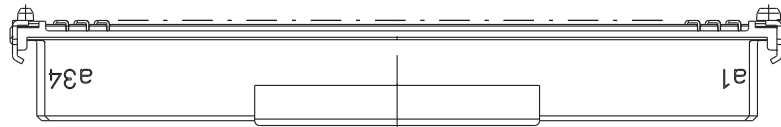
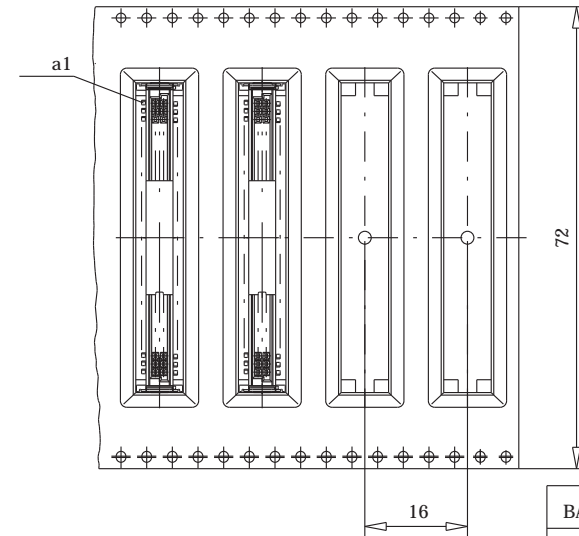


Verpackt in Gurtverpackung - Tape on Reel Packaging
 Verpackungseinheit: 280 Stück - Packaging unit: 280 pcs

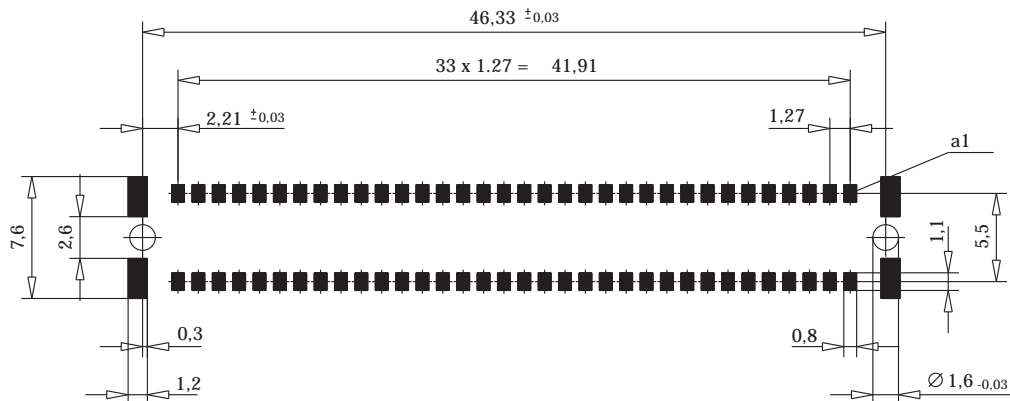


Abspulrichtung - Reel off Direction



Anforderungsstufe 1
 Performance Level 1
 Kontaktbereich vergoldet
 Mating Area gold plating
 Anschlussbereich verzinkt 4-6 µm
 Terminal Area 4-6 µm tin plating
 Koplanarität der Anschlüsse ≤ 0.1mm
 Coplanarity Area of Termination ≤ 0.1 mm

Leiterplatten-Layout Vorschlag für SMT
 PCB-Layout Proposal for SMT



BA7-13 - 8 mm Bauhöhe

type7-13 - Low Profile

Information: XXXXXX All rights reserved. Only for information. To insure that this is the latest version of this drawing, please contact one of the ERNI companies before using.	Tolerances All Dimensions in mm	Scale 3:1 XXXXX Angaben zu entsprechender Ident-Nr. siehe Fertigungsunterlagen For further information about ID. number see manufacturing document.
		Designation Federl. SMC-B 68-SMD-BA7-13 Female SMC-B 68-SMD-type7-13
www.ERNI.com	154808	1
Index	Date	V:00039990.SZN SMCB

Consider protection memo from DIN 94