



ENGLISH

## Datasheet

# DC Axial Fan, 80 x 80 x 15mm, 51m/h, 4.6W, 24 V dc (OD8015 Series)

RS Stock number [541-5277](#)



### Frame and Impeller

PBT, UL94V-0 Thermoplastic

### Available Options

Tachometer

Locked Rotor Alarm

Finger Guard: G180-18

Plastic Guard: G80P

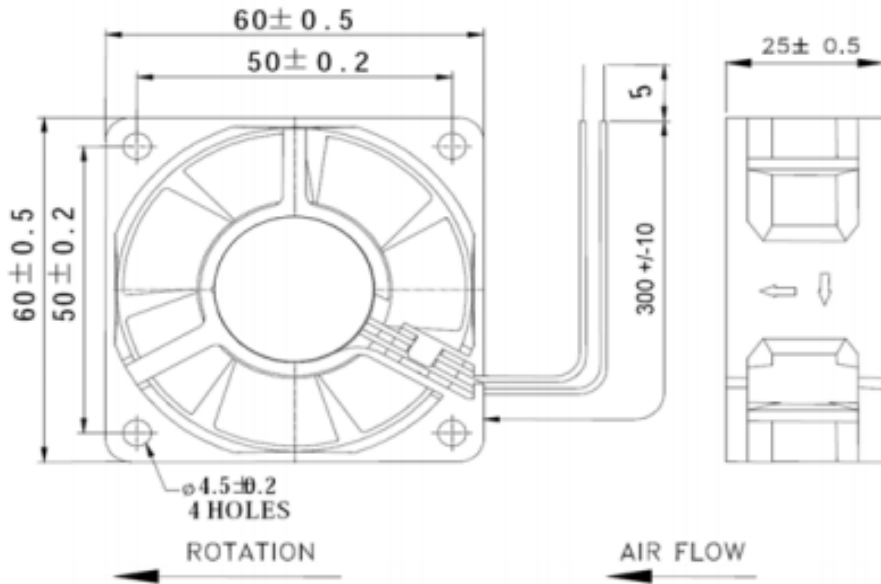
Wire Mesh Guard: WMG80M

Filter Kit: GRM80-30, GRM80-45

RS Part Number	Orion Part Number	Speed (RPM)	Airflow (CFM)	Noise (db)	Volts (DC)	Voltage Range	Current (Amps)	Lead Type
5414987	OD6025-12HB	4600	23	35	12	6~13.8	0.23	Wire
5414965	OD6025-12MB	3600	18	25	12	6~13.8	0.14	Wire
5414971	OD6025-12LB	2500	13	18	12	6~13.8	0.08	Wire
5415249	OD6025-24HB	4500	23	35	24	12~28	0.15	Wire
5415227	OD6025-24MB	3600	18	24	24	12~28	0.08	Wire
5415211	OD6025-24LB	2500	13	18	24	12~28	0.05	Wire

Data Tolerance +/- 10%

Drawing(mm):



\*Drawing for Dimensional Reference Only

**MOTOR**

Brushless DC, polarity protected, locked rotor protected (current limited), auto restart

**INSULATION RESISTANCE**

Min. 10 M Ohms at 500VDC

**LIFE EXPECTANCY (L10)**

Ball Bearing 60,000 Hours

**Operating Temperature**

-10C ~ +70C

**Safety Approvals**

UL/CUL, TUV, CE