


Ordering number C12285_ANGIE-S

Family	Angie	FWHM	14 degrees
Type	Lens array	Efficiency	94 %
LED	Oslon Square EC	cd/lm	8.300
Color	Clear	Gerber File	Available
Diameter	34 mm		
Height	10.7 mm		
Style	Round		
Optic Material	PMMA		
Holder Material	-		
Fastening	Pin, glue		
Status	On production		


Ordering number C12286_ANGIE-M

Family	Angie	FWHM	22 degrees
Type	Lens array	Efficiency	88 %
LED	Oslon Square EC	cd/lm	4.500
Color	Clear	Gerber File	Available
Diameter	34 mm		
Height	10.7 mm		
Style	Round		
Optic Material	PMMA		
Holder Material	-		
Fastening	Pin, glue		
Status	On production		


Ordering number C12287_ANGIE-M2

Family	Angie	FWHM	24 degrees
Type	Lens array	Efficiency	86 %
LED	Oslon Square EC	cd/lm	3.300
Color	Clear	Gerber File	Available
Diameter	34 mm		
Height	10.7 mm		
Style	Round		
Optic Material	PMMA		
Holder Material	-		
Fastening	Pin, glue		
Status	On production		


Ordering number C12288_ANGIE-W

Family	Angie	FWHM	26 degrees
Type	Lens array	Efficiency	82 %
LED	Oslon Square EC	cd/lm	2.530
Color	Clear	Gerber File	Available
Diameter	34 mm		
Height	10.7 mm		
Style	Round		
Optic Material	PMMA		
Holder Material	-		
Fastening	Pin, glue		
Status	On production		



PRODUCT DATASHEET
Angie series
last update 18/9/2012



NOTE: The typical divergence will be changed by different color, chip size and chip position tolerance. The typical total divergence is the full angle measured where the luminous intensity is half of the peak value.



PRODUCT DATASHEET

Angie series

last update 18/9/2012



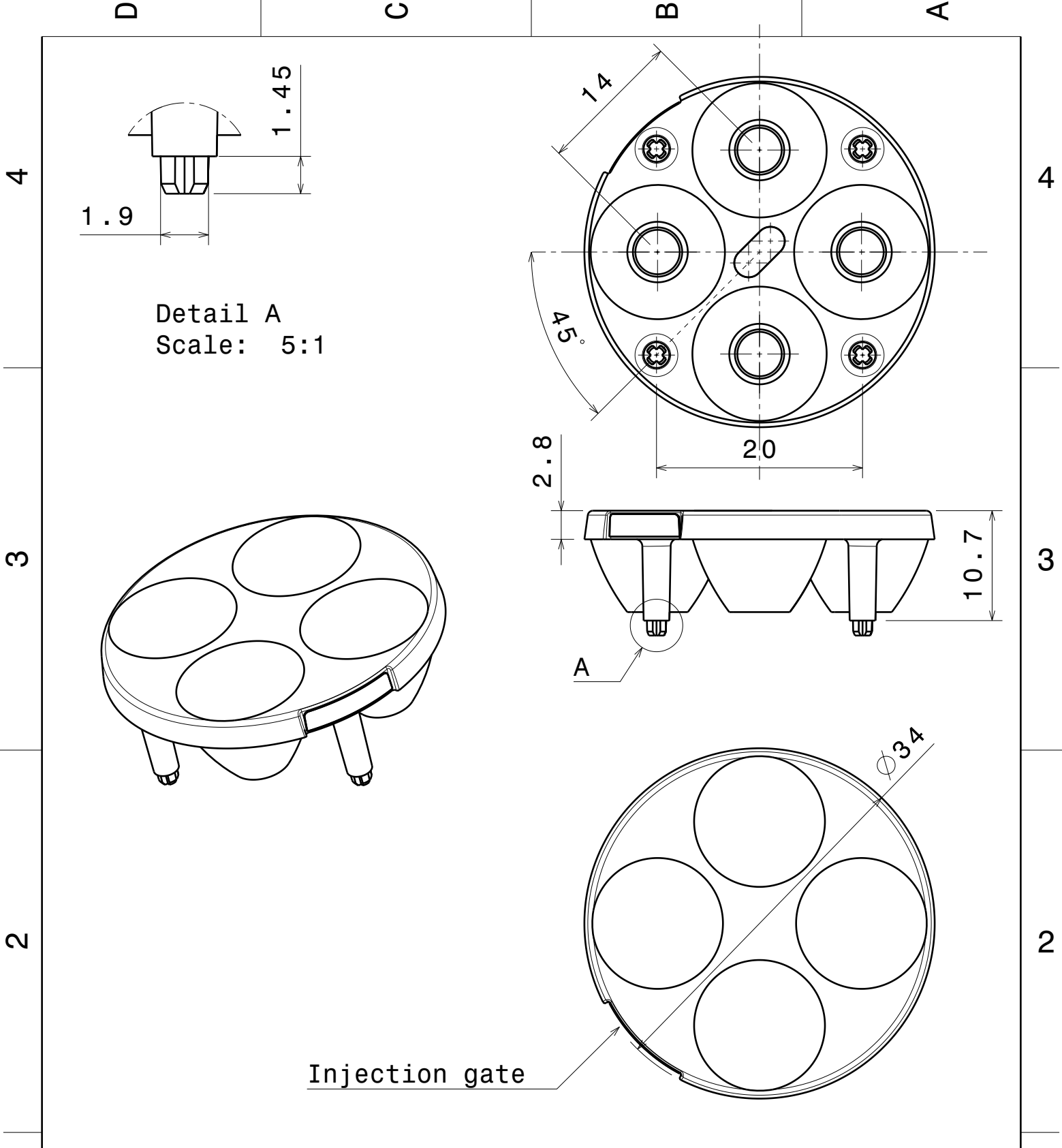
GENERAL INFORMATION

- Product series especially designed & optimized for Oslon Square EC series of LEDs.
- Special care taken to make light distribution as uniform as possible.
- Lens material optical grade PMMA with high UV and temperature resistance. Allows use of high current and temperature conditions.

Please find more information about used material from below:

http://ledil.fi/sites/default/files/Documents/Technical/Material/PMMA%20N%20UL94_Yellow%20Card.pdf

<http://ledil.fi/sites/default/files/Documents/Technical/Material/PMMA%20N%20PLEXIGLAS-Datasheet.pdf>



Detail A
Scale: 5:1

Injection gate

This drawing is our property.
It can't be reproduced
or communicated without
our written agreement.



Ledil Oy
Salorankatu 10
FIN-24240 SALO
Finland

DRAWING TITLE

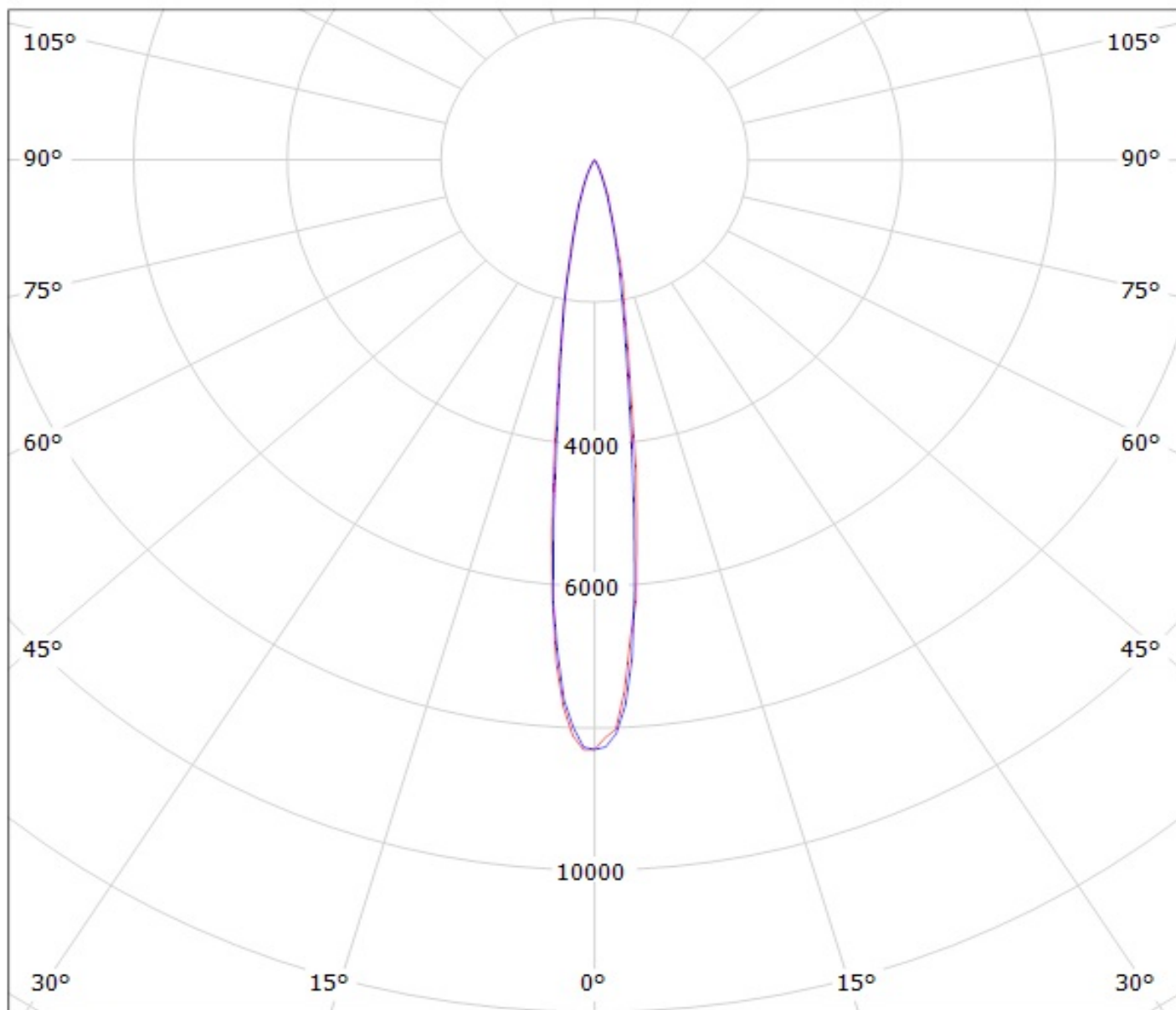
Angie-series mechanical drawing

DRAWN BY pl		DATE 22.09.2011		SIZE A4		DRAWING NUMBER ----		REV -	
CHECKED BY --		DATE --		SCALE 2:1		WEIGHT (g)		SHEET 1/1	
DESIGNED BY pl		DATE 02.09.2011							

D

A

Luminaire: Ledil Oy C12285_ANGIE-S-EC Efficiency=94%
Lamps: 1 x Oslon Square EC 250mA 312lm

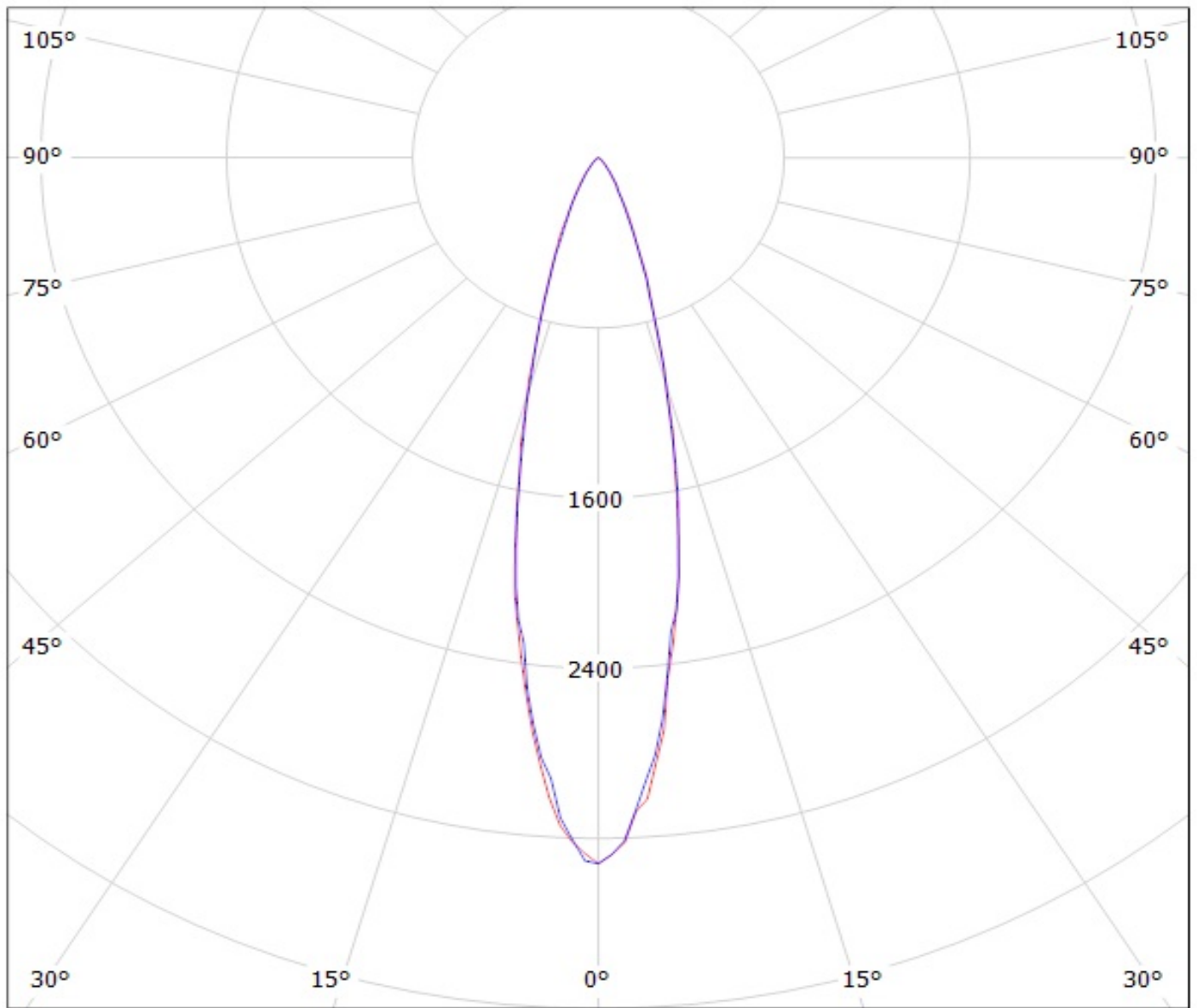


cd/klm

— C0 - C180

— C90 - C270

Luminaire: Ledil Oy C12287_ANGLE-M2 (Square EC) Efficiency=86%
Lamps: 1 x Oslon Square EC 250mA 312lm



cd/klm

— C0 - C180

— C90 - C270