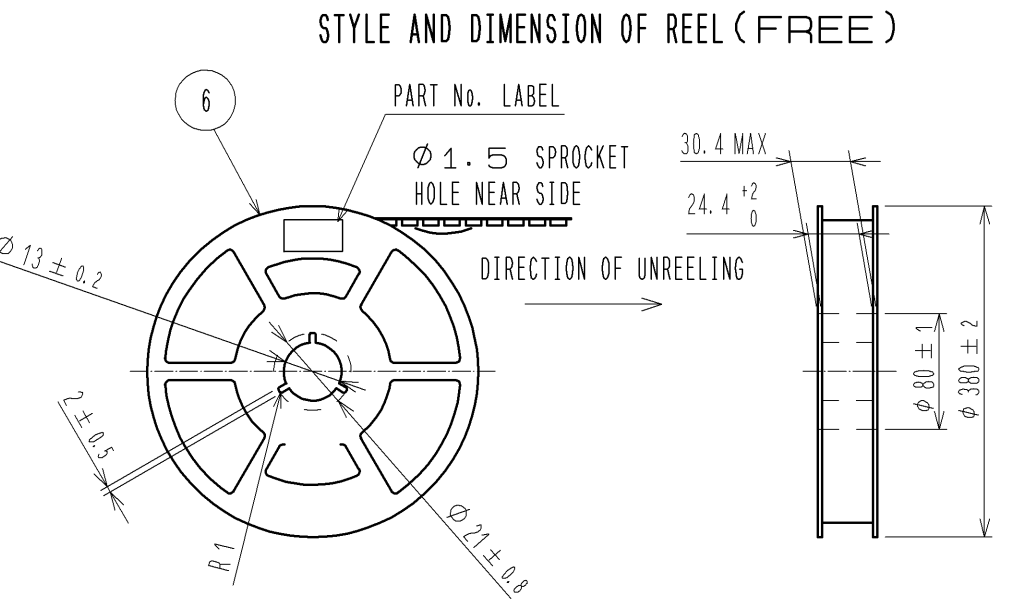
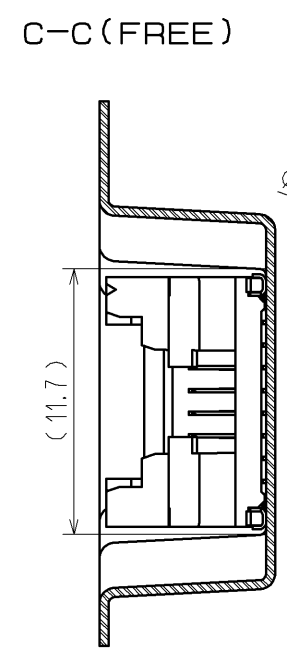
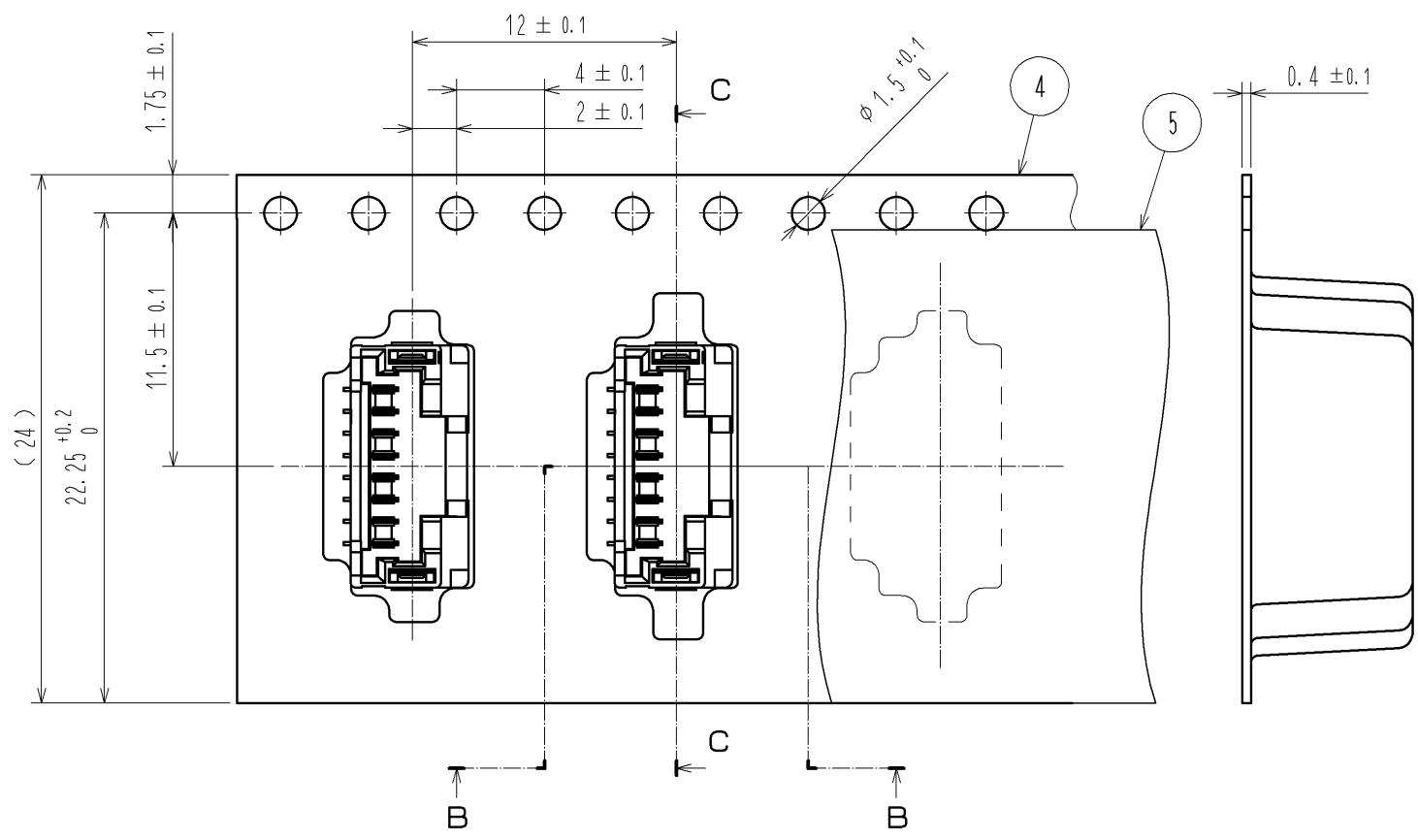


NOTE 1. LEAD CO-PLANARITY SHALL BE 0.1mm MAX.
 2. AREA INDICATED MUST BE FREE OF CONDUCTIVE TRACES OR THE CONDUCTIVE TRACES MUST BE COVERED BY RESIST FILM.
 3. PLEASE CONSULT HIROSE WHEN THE PRODUCT IS MOUNTED TO FPC.

| 3 | PHOSPHOR BRONZE | CONTACT AREA : Sn PLATING 1μm MIN. UNDER PLATING : Cu PLATING 0.3μm MIN. | 6 | PS | REEL . BLACK |
|-----|-----------------|--|-----|-----------|------------------|
| 2 | BRASS | CONTACT AREA : Au PLATING 0.05μm MIN. LEAD AREA : Au PLATING 0.05μm MIN. UNDER PLATING : Ni PLATING 1μm MIN. | 5 | POLYESTER | CLEAR |
| 1 | LCP | BLACK , UL94V-0 | 4 | PS | CLEAR |
| NO. | MATERIAL | FINISH . REMARKS | NO. | MATERIAL | FINISH . REMARKS |

| | | | | | | | |
|---------------------------------|--|----------------|------------|----------------------------|----------|---------|------|
| UNITS mm | | SCALE 5 : 1 | COUNT △ | DESCRIPTION OF REVISIONS | DESIGNED | CHECKED | DATE |
| APPROVED : KI. AKIYAMA 11.06.28 | | | | DRAWING NO. EDC3-329666-01 | | | |
| CHECED : OM. MIYAMOTO 11.06.28 | | | | PART NO. DF50A-8P-1V(51) | | | |
| DESIGNED : TT. OHSAKO 11.06.28 | | | | CODE NO. CL665-1014-5-51 | | | |
| DRAWN : ST. SATO 11.06.27 | | | | △ 1/1 | | | |

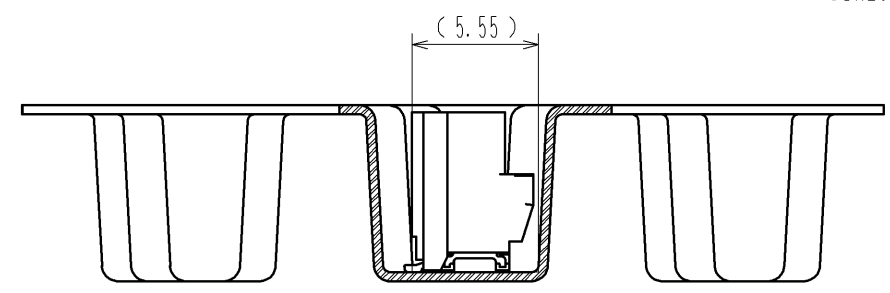


DETAIL OF PART No. LABEL

| | |
|------|-----------------|
| 生産月日 | 年 月 日 |
| 図 番 | CL665-1014-5-51 |
| 品 名 | DF50A-8P-1V(51) |
| 納入数量 | 1000 K0 |
| 納入者 | ヒロセ電機(株) |

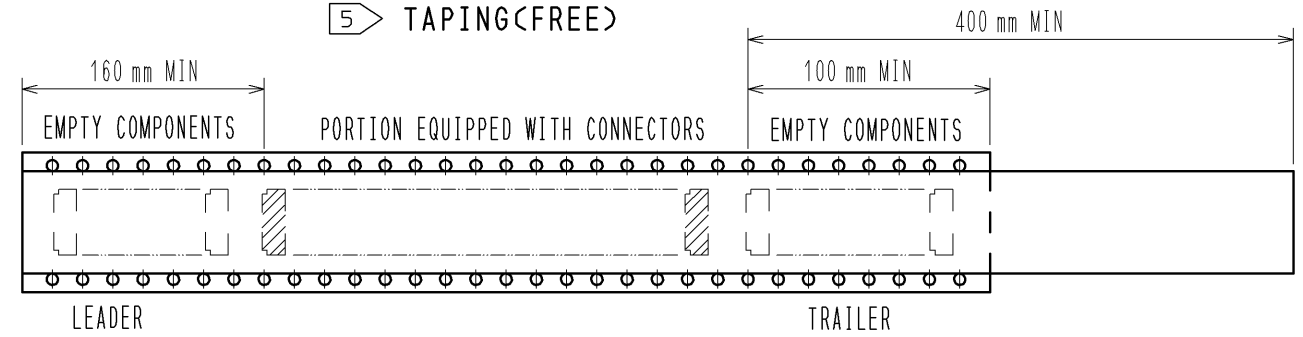
- SUPPLIER
- QUANTITY
- PART No.
- CODE No.
- DATE OF MANUFACTURED

B-B (FREE)

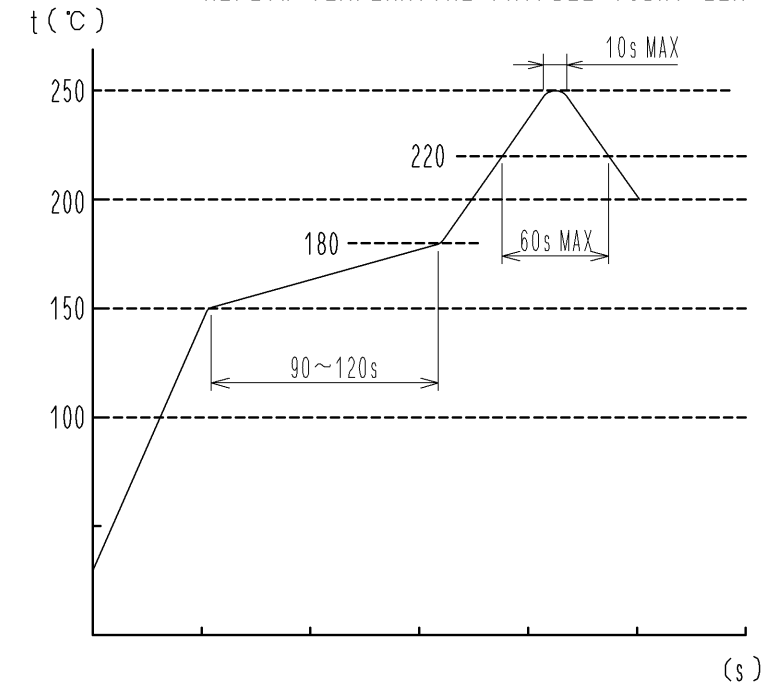


DIRECTION OF UNREELING

5 TAPING (FREE)



REFLOW TEMPERATURE PROFILE USING LEAD-FREE SOLDER PASTE (REFERENCE)



NUMBER OF REFLOW CYCLES 2 CYCLES MAX.
THE TEMPERATURE IS MEASURED IN THE TERMINAL LEAD PART.

ADDITIONAL FACTORS, SUCH AS SOLDER PASTE TYPE, PCB SIZE AND OTHER MOUNTED COMPONENTS COULD AFFECT THE PROFILE. THEREFORE, A THOROUGH EVALUATION OF MOUNTING CONDITION IS REQUIRED PRIOR TO PRODUCTION. TEMPERATURE IS MEASURED AT CONTACT LEAD.

NOTE 4. 1 REEL : 1000 CONNECTORS
5 REEL TO JIS C 0806. (PACKAGING OF COMPONENTS FOR AUTOMATIC HANDLING)
6. THE DIMENSIONS IN PARENTHESES ARE FOR REFERENCE.

| | | |
|------------|-------------|-----------------|
| HRS | DRAWING NO. | EDC3-329666-01 |
| | PART NO. | DF50A-8P-1V(51) |
| | CODE NO. | CL665-1014-5-51 |
| | | 2/1 |