

Product Data Sheet

9595414137
VCS0160XULCS
RG160-28/14NU

ebmpapst

The engineer's choice



RG160-28/14NU

INDEX

1 General 3

2 Mechanics 3

2.1 General..... 3

2.2 Connections..... 3

3 Operating Data 4

3.1 Electrical Operating Data 4

3.2 Electrical Features 5

3.3 Aerodynamics 6

3.4 Sound Data..... 7

4 Environment..... 7

4.1 General..... 7

4.2 Climatic Requirements 7

5 Safety..... 9

5.1 Electrical Safety 9

5.2 Approval Tests 9

6 Reliability..... 9

6.1 General..... 9

1 General

| | | |
|-------------------------------------|----------------------------------|--|
| Fan type | Blower | |
| Rotating direction looking at rotor | Counterclockwise | |
| Airflow direction | Air in axially, Air out radially | |
| Bearing system | Ball bearing | |
| Mounting position - shaft | Any | |

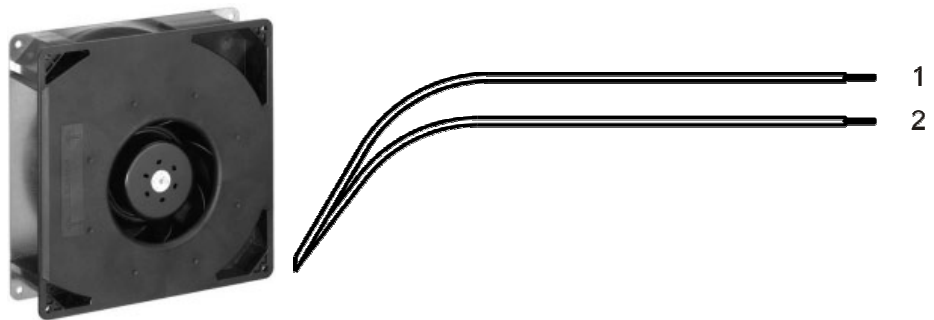
2 Mechanics

2.1 General

| | | |
|---|--|--|
| Width | 220,0 mm | |
| Height | 220,0 mm | |
| Depth | 56,0 mm | |
| Mass | 1,400 kg | |
| Housing material | Mixed | |
| Impeller material | Plastic | |
| Max. torque when mounted across both mounting flanges; Metal flange on mounting plate Screw size | Wire outlet corner: 70 Ncm Remaining corners: 70 Ncm ISO 4762 - M4 degreased, without an additional brace and without washer | |

2.2 Connections

| | | |
|-----------------------|-------------|--|
| Electrical connection | Wires | |
| Lead wire length | L = 325 mm | |
| Tolerance | + - 10,0 mm | |
| Tube length | S = 25 mm | |
| Tolerance | + - 10,0 mm | |



| Wire | Color | Operation | Wire size | Insulation diameter |
|------|-------|-----------|-----------|---------------------|
| 1 | red | + UB | AWG 22 | 1,70 mm |
| 2 | blue | - GND | AWG 22 | 1,70 mm |

3 Operating Data

3.1 Electrical Operating Data

Measurement conditions: Normal air density = 1,2 kg/m³; Temperature 23°C +/- 3°C; Motor axis horizontal; warm-up time before measuring 5 minutes (unless otherwise specified). In the intake and outlet area should not be any solid obstruction within 0,5 m.

$\Delta p = 0$: corresp. to free air flow (see chapter aerodynamics)
I: corresp. to arithm. mean current value

Note:

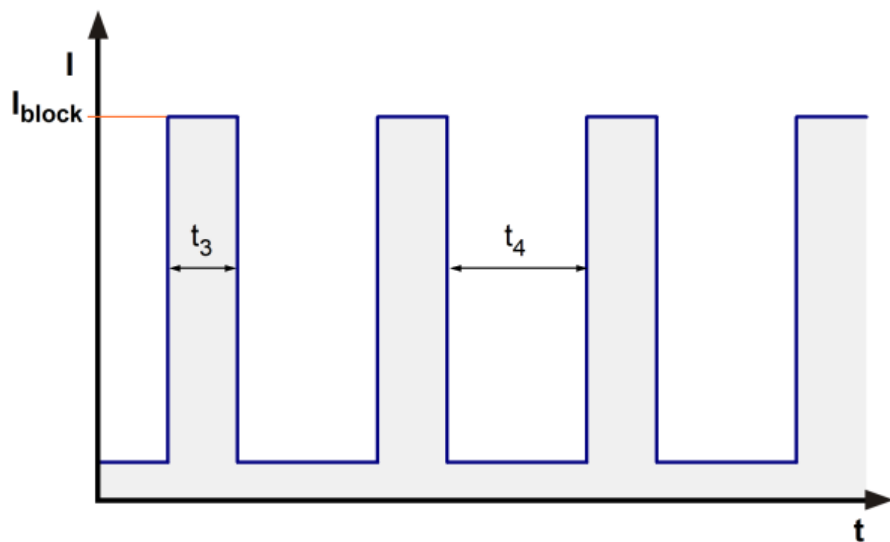
No inrush current at U_{nom} means:

The internal electrolytic capacitor 120uF/50V has no resistor or inrush current limitation, essentially the power supply and the type and length of the connecting cable is limiting the Inrush current.

| Features | Condition | Symbol | Values | | |
|------------------------------|----------------|--------|-------------|-------------|-------------|
| Voltage range | | U | 12 V | | 28,0 V |
| Nominal voltage | | U_N | | 24,0 V | |
| Power consumption | $\Delta p = 0$ | P | 4,5 W | 20 W | 24 W |
| Tolerance | 0010 | | +/- 20 % | +/- 20,0 % | +/- 15,0 % |
| Current consumption | $\Delta p = 0$ | I | 375 mA | 830 mA | 950 mA |
| Tolerance | 0010 | | +/- 20,0 % | +/- 20,0 % | +/- 15,0 % |
| Speed | $\Delta p = 0$ | n | 1.550 1/min | 2.850 1/min | 3.250 1/min |
| Tolerance | 0010 | | +/- 12,5 % | +/- 7,5 % | +/- 10,0 % |
| Starting current consumption | | | | 2.100 mA | |

3.2 Electrical Features

| | | |
|--------------------------------|------------------------------------|--|
| Electronic function | None | |
| Reversed polarity protection | Rectifying diode | |
| Max. residual current at U_N | I_F 10 mA | |
| Locked rotor protection | Auto restart | |
| Locked rotor current at U_N | I_{block} approx. 2.000 mA | |
| Clock signal at locked rotor | t_3 / t_4 typical: 2,6 s / 6,9 s | |



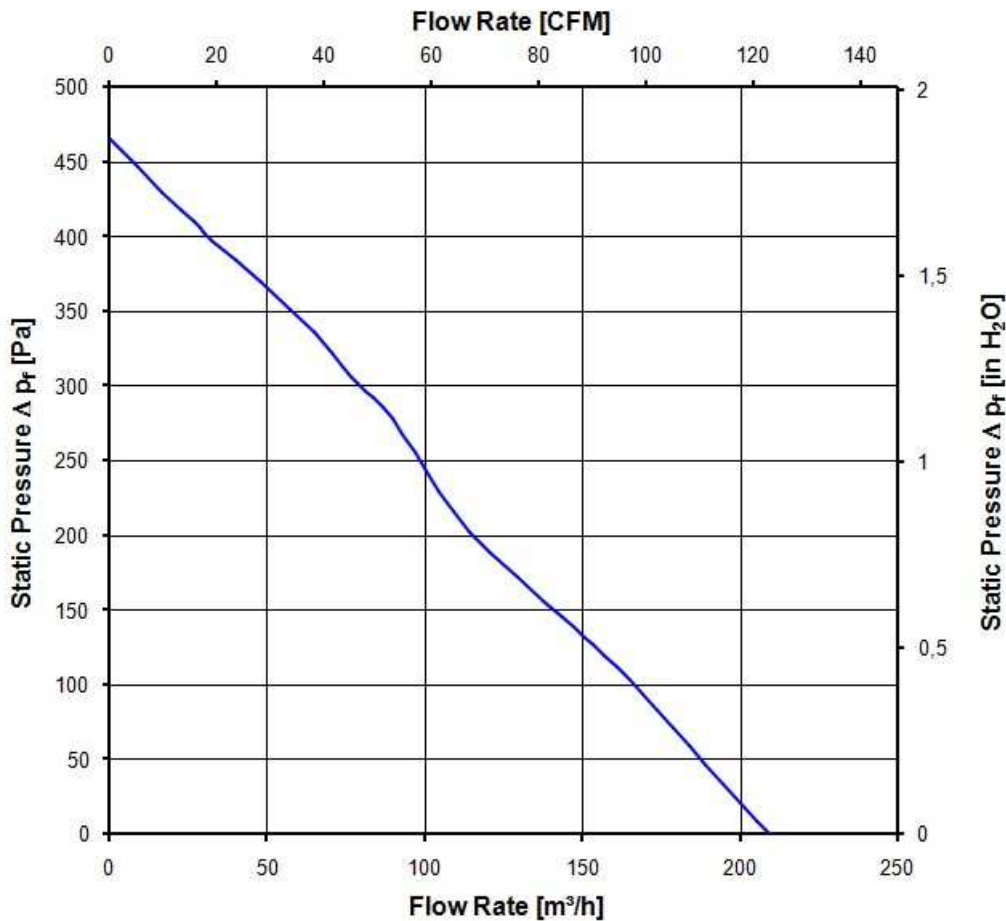
3.3 Aerodynamics

Measurement conditions: Measured with a double chamber intake rig acc. to DIN EN ISO 5801.
Normal air density = 1,2 kg/m³; Temperature 23°C +/- 3°C;
In the intake and outlet area should not be any solid obstruction within 0,5 m. Motor shaft horizontal.
The information is only valid under the specified test conditions and may be changed by the installation conditions. If there are deviations from the standard test conditions, the characteristic values must be checked under the installed conditions.

a.) Operation condition:

2.850 1/min at free air flow

| | | |
|---|-------------------------|--|
| Max. free-air flow ($\Delta p = 0 / \dot{V} = \text{max.}$) | 209,0 m ³ /h | |
| Max. static pressure ($\Delta p = \text{max.} / \dot{V} = 0$) | 460 Pa | |



3.4 Sound Data

Measurement conditions: Sound pressure level: 1 meter distance between microphone and the air intake.
Sound power level: Acc. to DIN 45635 part 38 (ISO 10302)
Measured in a semianchoic chamber with a background noise level of $L_p(A) < 5 \text{ dB(A)}$
For further measurement conditions see chapter aerodynamics.

a.) Operation condition:

| | | |
|---|----------------------------------|--|
| 2.850 1/min at free air flow | | |
| Optimal operating point | 120,0 m ³ /h @ 166 Pa | |
| Sound power level at the optimal operating point | 6,7 bel(A) | |
| Sound pressure level at free air flow, measured in rubber bands | | |

4 Environment

4.1 General

| | | |
|--|--------|--|
| Min. permitted ambient temperature TU min. | -20 °C | |
| Max. permitted ambient temperature TU max. | 55 °C | |
| Min. permitted storage temperature TL min. | -40 °C | |
| Max. permitted storage temperature TL max. | 80 °C | |

4.2 Climatic Requirements

| | | |
|--------------------------------|---|--|
| IP-protection type (certified) | IP 68 (for fan only, not for connector if applicable) **) | |
| Humidity requirements | humid temperature, cyclic; according to DIN EN 60068-2-38, 10 cycle and condensation water check; according to DIN EN ISO 6270-2, 14 days | |
| Salt fog requirements | None | |

Permitted application area:

The product is for the use in partial sheltered rooms or open, roofed areas. Direct exposure to water is allowed provided that this does not prevent the normal operation. Saline ambient conditions must be avoided.

Pollution degree 3 (according DIN EN 60664-1)

It occurs conductive pollution or dry non-conductive pollution which becomes conductive due to condensation.

**) The specification of the IP protection refers to the conditions mentioned in certification of the fan. The above mentioned short description of the protection scope is not final. For detailed information of the respective protection scope and definitions, see certification as well as DIN EN 60529 (protection by housings) and ISO 20653 (for vehicles) with the letter K.

Short description of the IP-protection type:

Solid particle Protection: Dust tight.

Protection against deliberate contact: Protected against contact to hazardous parts with a wire.

Protection against water: The fan test according to IP68 (Based on IEC 60529), is conducted in non-operating mode. The fan is tested by a complete immersion in water for a period of 2h at a water-level of 1,2m. Electrical connections are not immersed since they are customer specific.

Please require severity levels and specification parameters from the responsible development departments.

5 Safety

5.1 Electrical Safety

| | | |
|--|------------------|--|
| Dielectric strength DIN EN 60950 (VDE 0805) and DIN EN 60335 (VDE 0700) A.) Type test Measuring conditions: After 48h of storage at 95% R.H. and 25°C. No arcing or breakdown is allowed! All connections together to ground. | 500 VAC / 1 Min. | |
| B.) Routine test Measuring conditions: At indoor climate. No arcing or breakdown is allowed! All connections together to ground. | 850 VDC / 1 Sec. | |
| Isolation resistance Measuring conditions: After 48h of storage at 95% R.H. and 25°C measured with U=500 VDC for 1 min. | RI > 10 MOhm | |
| Clearance / creepage distance | 1,0 mm / 1,2 mm | |
| Protection class | III | |

5.2 Approval Tests

| | | |
|-----|---|---|
| CE | EC Declaration of Conformity | Yes |
| EAC | Eurasian Conformity | Yes |
| UL | Underwriters Laboratories | Yes / UL audited by CSA according to UL507, Electric Fans |
| VDE | Association for Electrical, Electronic and Information Technologies | Yes / Approval acc. to EN 60950 (VDE 0805) - Information technology equipment |
| CSA | Canadian Standards Association | Yes / C22.2 No. 113 Fans and Ventilators |
| CCC | China Compulsory Certification | Not applicable |

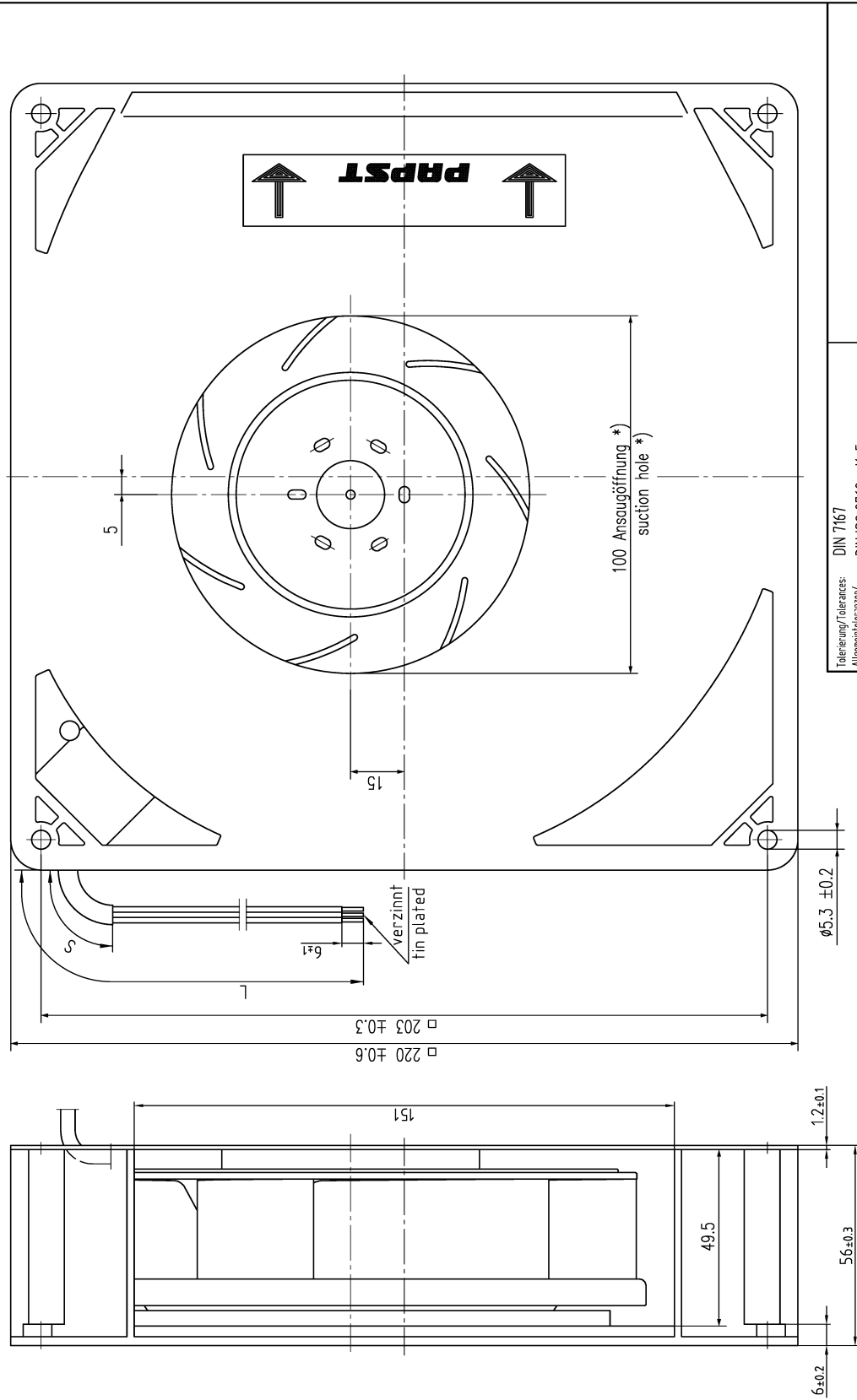
The approval tests are observed to:

U approval max.:28,0 V @ TU approval max.: 70,0 °C

6 Reliability

6.1 General

| | | |
|--|------------|--|
| Life expectancy L10 at TU = 40 °C | 70.000 h | |
| Life expectancy L10 acc. to IPC 9591 at TU = 40 °C | 117. 500 h | |



| | | | | | | |
|--|-----------------------|-------------------------------|------------------------|----------------|--|------------------------------|
| Tolerierung/Tolerances: Allgemeintoleranzen/ gen. tolerances | | DIN 7167 DIN ISO 2768-mk-E | | Ar./Teil/Title | | Massstab/Scale |
| Bearb./Drainh | Datum/Date | Name/Name | radial-blow fan RG 160 | | | Blatt/Page |
| Hersteller | Hersteller/Change-Ab. | ebmpapst | | | | Zücht.-Nr./ Dwg.-No.: |
| Verf. u. zur Verwendung freigegeben/Released for release | | | | | | Ers. f. Zücht./ Replaces: |
| ebmpapst St. Georgen GmbH & Co. KG | | | | | | A3 |

Axialspiel: mit Feder spielfrei verspannt.
 without axial clearance by a pre-loaded spring
 *) Öffnung f. Montagewand ≈ 115
 *) Opening for mounting plate ≈ 115

Anzahl und Länge der Litzen
 sowie Länge Schlauch siehe BV Bl. 1
 Length and number of wires and length
 of tube see design specification page 1

Copying of this document, and giving it to others and the use or communication of the contents thereof, are
 forbidden without express authority. Offenders are liable to the payment of damages. All rights are reserved
 in the event of the grant of a patent or the registration of a utility model or design.

Schutzmerkmal nach DIN ISO 1676 beachtend/
 Refer to protection notice DIN ISO 1676