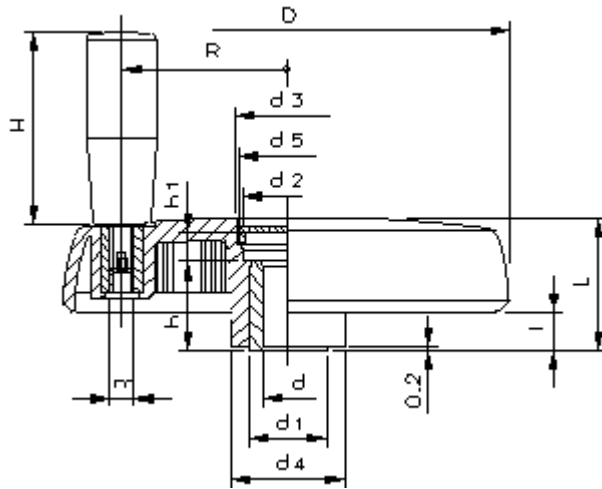




## VDS+I VDS+IEL

ELESA original design

Solid handwheels with side handle



Standard Elesa		Main dimensions									Bore		Handle		C	L	Weight	
Code	Description	D	L	I	d1	d2	d3	d4	d5	h1	dH7	h	H	m	R	[N*m]	[J]	grams
<b>170-654</b> 72651	VDS.80+I-A8	83	29	9	18	16	21	25	19	8	8	17	40	M6	31	34	6	106
72652	VDS.80+I-A10	83	29	9	18	16	21	25	19	8	10	17	40	M6	31	34	6	108
<b>170-660</b> 72671	VDS.100+I-A10	102	34	10	22	20	27	30	25	9	10	22	50	M6	39	60	13	174
72672	VDS.100+I-A12	102	34	10	22	20	27	30	25	9	12	22	50	M6	39	60	13	168
<b>170-676</b> 72701	VDS.125+I-A12	125	39	11	26	24	31	35	28	8	12	27	56	M6	49	125	25	270
72702	VDS.125+I-A14	125	39	11	26	24	31	35	28	8	14	27	56	M6	49	125	25	258
<b>170-682</b> 72751	VDS.150+I-A14	150	44	12	26	24	34	38	30	10	14	30	65	M8	58	180	26	379
72752	VDS.150+I-A16	150	44	12	26	24	34	38	30	10	16	30	65	M8	58	180	26	359
72801	VDS.175+I-A16	176	49	13	35	33	39	44	35	16	16	28	80	M10	70	195	26	500
72802	VDS.175+I-A20	176	49	13	35	33	39	44	35	16	20	28	80	M10	70	195	26	470
72851	VDS.200+I-A20	200	53	14	40	38	44	50	40	13	20	36	90	M10	81	320	27	674
72852	VDS.200+I-A24	200	53	14	40	38	44	50	40	13	24	36	90	M10	81	320	27	634
72911	VDS.250+I-A20	250	60	17	40	38	50	57	48	19	20	36	90	M10	104	500	30	934
72961	VDS.300+I A-20	300	66	20	40	36.5	68.5	72	66	20	20	44	90	M10	124	500	30	1260
72966	VDS.300+IEL A-20	300	66	20	40	36.5	68.5	72	66	20	20	44	65	M10	124	500	30	1270

Special black matte finish, high impact strength technopolymer.

Resistant to solvents, oils, greases and other chemical agents.

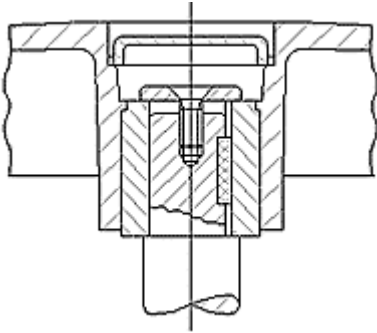
Black oxide [steel boss](#) with standard H7 tolerance reamed holes.

Light grey technopolymer push-fit [boss cap](#) that can be removed by pressing on outer edge (ELESA patent).

[Revolving handle](#) type [I.601+x](#) for model VDS+I and type [IEL.+x](#) for model VDS+IEL.

[Rear finger](#) grips.

Axial [retaining washers](#) (on request) type [GN 184](#)



Assembly example with key and axial set screw

**ELESA** models - all rights reserved in accordance with the law. Always mention the source when reproducing our drawings.

Copyright © 2000 - 2004 EleSa.