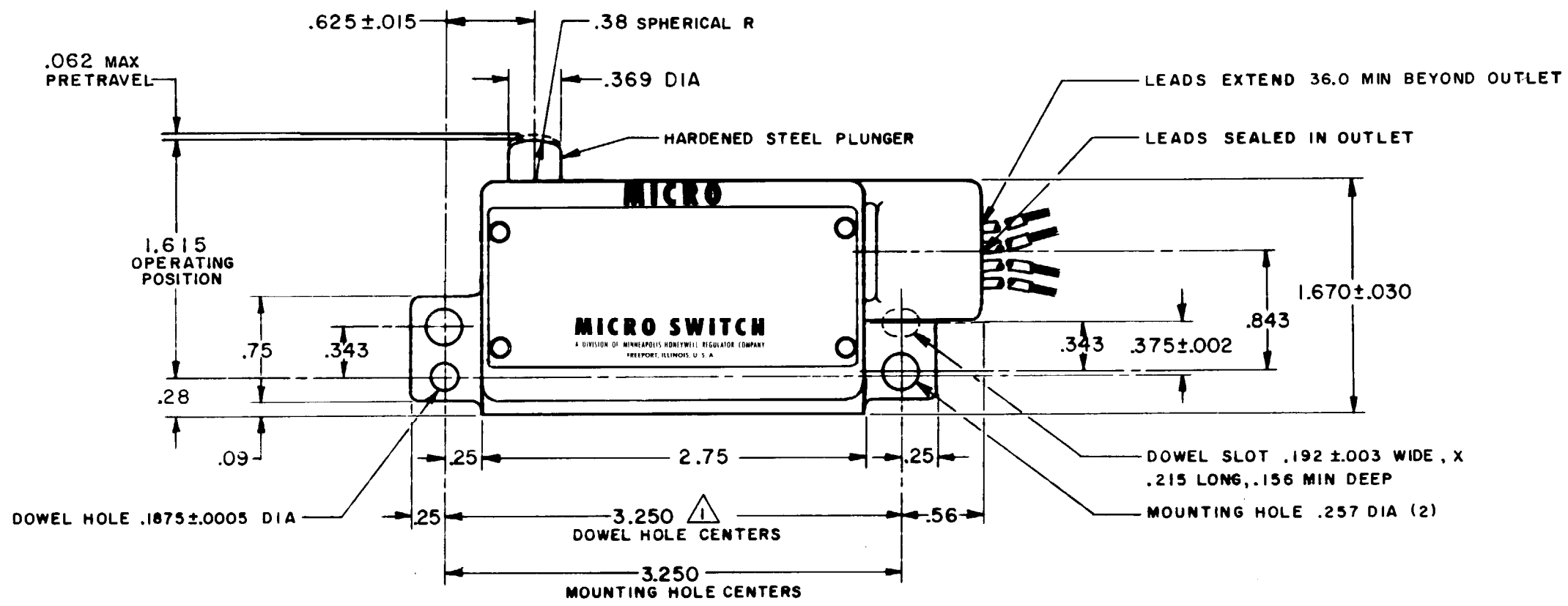
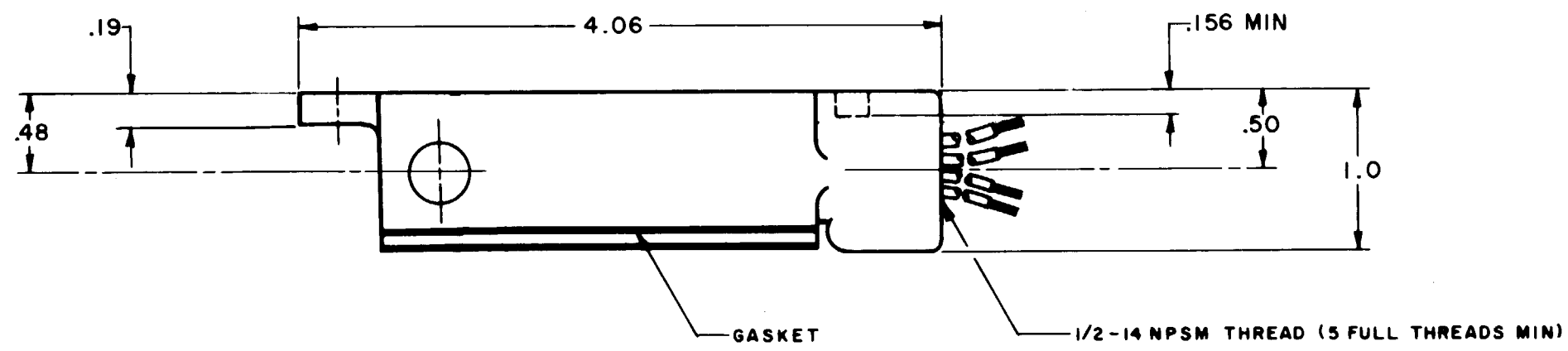
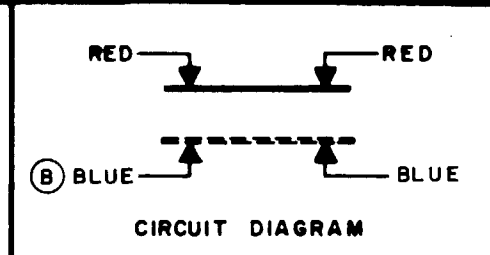


M 1LN1-3-LH (LEFT HAND)
 DRAWING NUMBER
 ISSUE 36
 REVISIONS
 A CO16227
 L M H
 6 SEP 61
 B CO18546
 M B F
 14 NOV 63
 C CO55988
 M A M
 31 OCT 84
 D CO76967
 J D B
 2 NOV 93
 CHECKED
 DRAWN
 LMH 6 SEP 61

MICRO SWITCH
 A DIVISION OF MINNEAPOLIS HONEYWELL REGULATOR COMPANY
 FREEPORT, ILLINOIS
 FED. MFR. CODE 91929

SWITCH - ENCLOSED

CATALOG LISTING
1LN1-3-LH
 (LEFT HAND)



NOTE -
 ▲ - DOWEL HOLES WILL ACCEPT .187 MAX DIA DOWEL PINS ON 3.250 X .375 ± .002 CENTERS

THIS DRAWING COVERS A PROPRIETARY ITEM AND IS THE PROPERTY OF MICRO SWITCH, A DIVISION OF MINNEAPOLIS HONEYWELL REGULATOR CO. THIS DRAWING IS NOT TO BE COPIED OR USED WITHOUT THE APPROVAL OF MICRO SWITCH.

CHARACTERISTICS	ELECTRICAL DATA	SCALE FULL
OPERATING FORCE ----- 6 LB MAX	CONTACT ARRANGEMENT (SEE CIRCUIT DIAGRAM)	DO NOT SCALE PRINT
RELEASE FORCE ----- 1 LB MIN	-L25- 10 A-125 OR 250 VAC 1/2 HP-125 VAC RJ	UNLESS OTHERWISE SPECIFIED DIMENSIONS ARE IN INCHES
DIFFERENTIAL TRAVEL ----- .030 MAX		TOLERANCES ARE:
OVERTRAVEL ----- .171 MIN		ONE PLACE (.0) ± .030 TWO PLACE (.00) ± .015 THREE PLACE (.000) ± .005 ANGLES ±
		WEIGHT