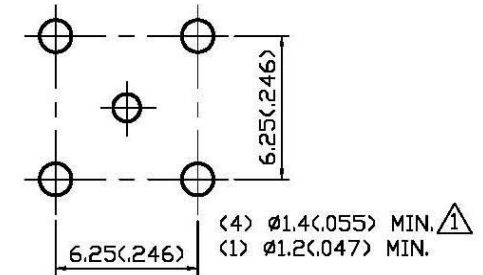
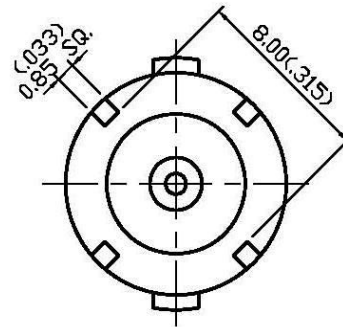
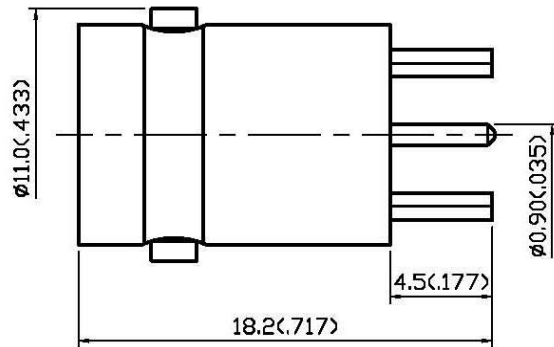


NO	DESCRIPTION	DATE
①	∅1.3 MIN. — ∅1.4 MIN.	12.13.01'
②	BACKGROUND FORMAT UPDATED	09.06.03'
③	BACKGROUND FORMAT UPDATED	06.08.09'
④	WORKING VOLTAGE — VOLTAGE RATING DEL PROOF VOLTAGE	09.16.15'



MOUNTING HOLE

**1.0 ELECTRICAL**

- 1.1 FREQUENCY RANGE: DC-4 GHz
- 1.2 NOMINAL IMPEDANCE: 50 OHMS
- 1.3 VOLTAGE RATING: 500 VOLTS MAX. ④

**2.0 MATERIALS**

- 2.1 BODIES: BRASS PER JIS-C3604
- 2.2 CENTER CONTACT: BERYLLIUM COPPER PER ASTM B196 UNS C17300
- 2.3 INSULATION: TEFLON PER ASTM D1457 AND ASTM D1710

**3.0 FINISHES AND OTHERS**

- 3.1 SEE BELOW TABLE FOR DETAILS.

**4.0 MECHANICAL**

- 4.1 INTERFACE IN ACCORDANCE WITH: MIL-STD-348A

**5.0 ENVIRONMENTAL**

- 5.1 OPERATING TEMPERATURE RANGE: -65° C TO +165° C

NO	DESCRIPTION	MATERIAL	Q' TY	FINISH
4	BODY	BRASS	1	SILVER 70μ" MIN.
3	CENTER CONTACT	BERYLLIUM COPPER	1	SILVER 70μ" MIN.
2	WASHER	BRASS	1	SILVER 70μ" MIN.
1	INSULATION	TEFLON	1	NONE



APPROVED by \_\_\_\_\_ DATE: \_\_\_\_\_

DESCRIPTION		BNC STRAIGHT PCB MOUNT JACK RECEPTACLE						
製圖	DRAWN	TOLERANCE	品名	13-22-20 T.S.S	日期	DATE	版次	REV.
	Yoko		∠X ±0.2	TITLE	\ROHS COMPLIANT <50Ω>	01.21.00'	A-4	
檢圖	CHECK	∠XX ±0.1	單位	mm(in)	DWG.NO.	13-0100		
	Arc		比例	SCALE	4:1			
認定	APPROVAL	∠XXX ±0.05	ANGLE	±5°				
	Jenny							