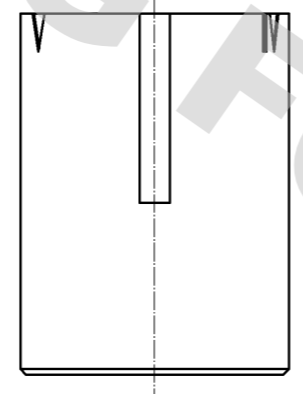
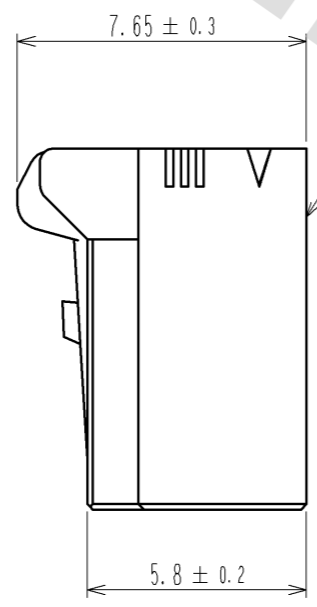
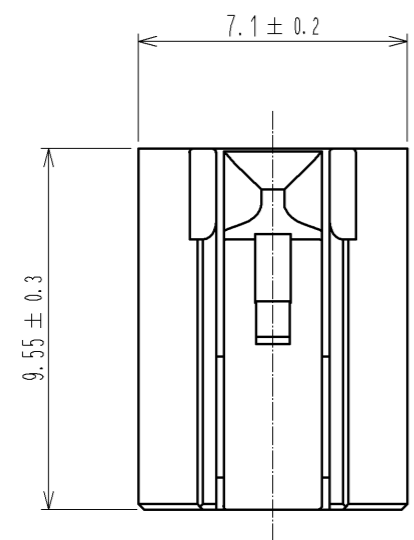
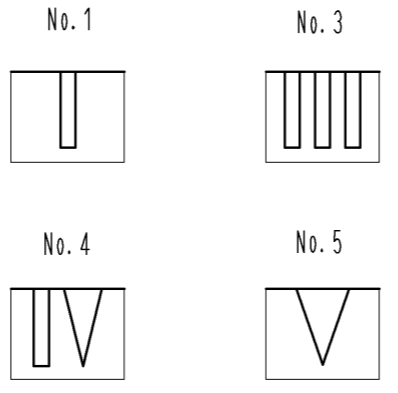
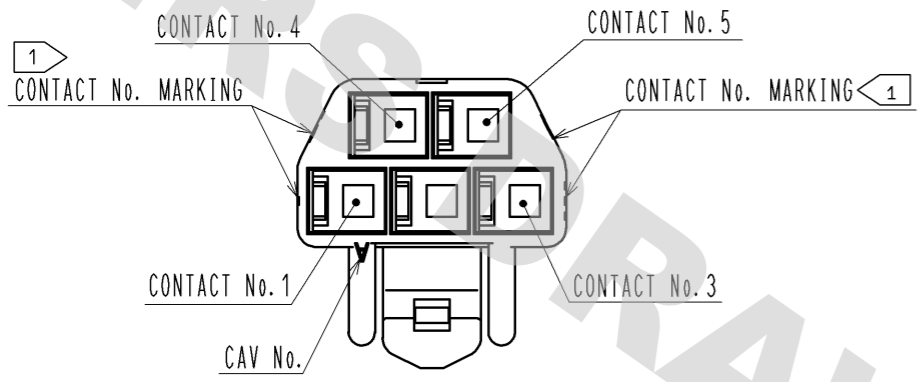
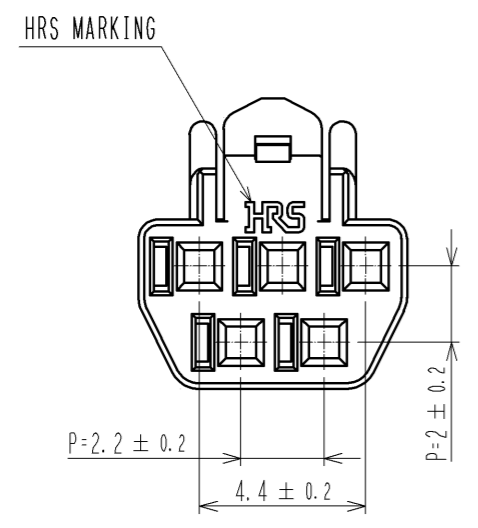
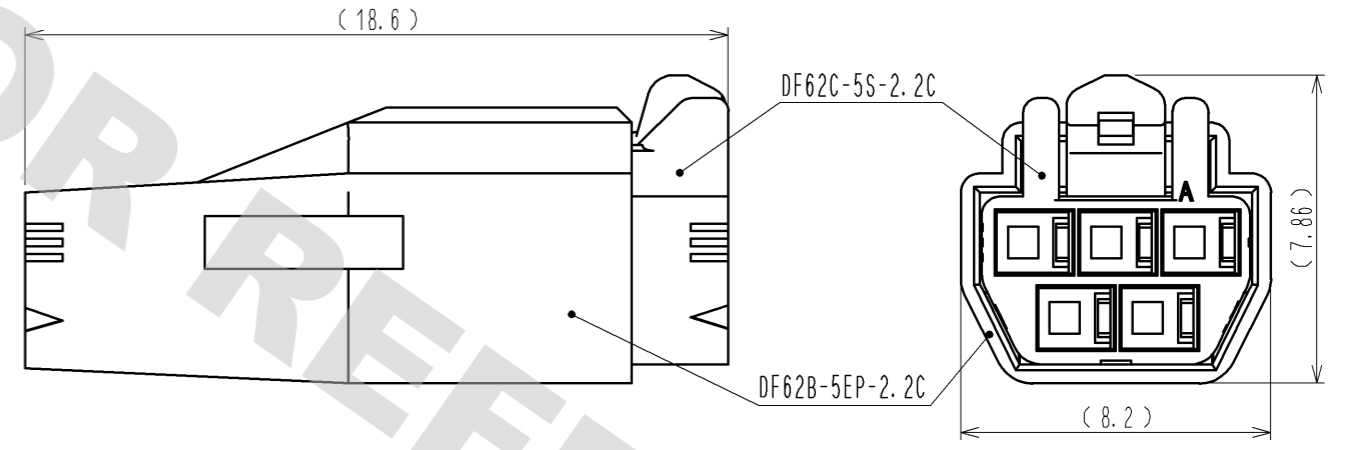


DRAWING FOR REFERENCE: This is subject to change without notice  
12/05/2013

1 FIGURE-1 CONTACT No. MARKING (10:1)



MATING FIGURE



NOTE. 1 MARKINGS AT THE INDICATED POSITIONS ARE CONTACT NO. MARKING, AND SHAPES ARE SHOWN IN FIGURE-1.  
2. PER PACK : 100 PIECES.  
3. THE DIMENSIONS IN PARENTHESIS ARE FOR REFERENCE.

NO.		MATERIAL		FINISH . REMARKS		1	PBT	UL94V-0 (WHITE)		
UNITS mm		SCALE 5 : 1		COUNT		DESCRIPTION OF REVISIONS		DESIGNED	CHECKED	DATE
<b>HRS</b> HIROSE ELECTRIC CO., LTD.		APPROVED : KI. AKIYAMA		13. 07. 04		DRAWING NO.		EDC3-351973-00		
		CHECKED : OM. MIYAMOTO		13. 07. 03		PART NO.		DF62C-5S-2.2C		
		DESIGNED : TH. YOSHIZAWA		13. 07. 03		CODE NO.		CL544-0568-2-00		
		DRAWN : MI. SAKIMURA		13. 06. 27						