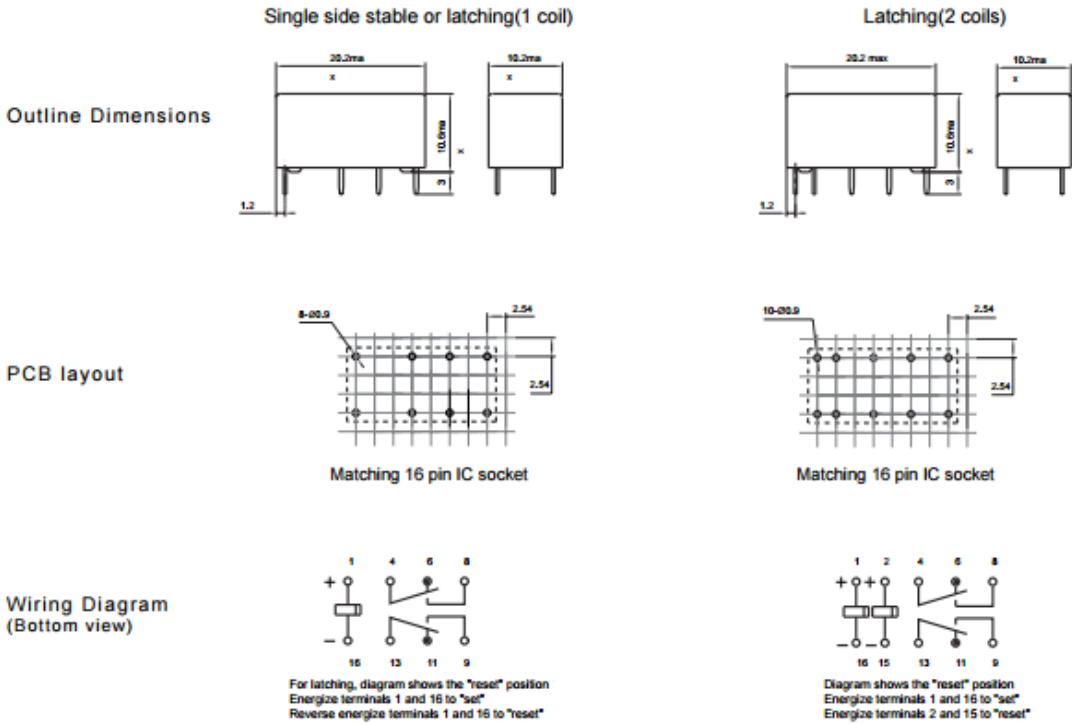


Datasheet

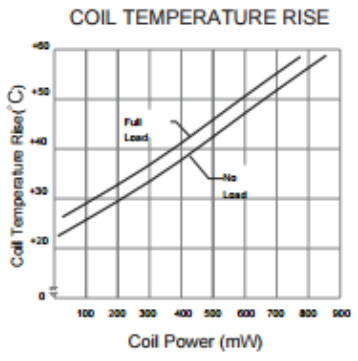
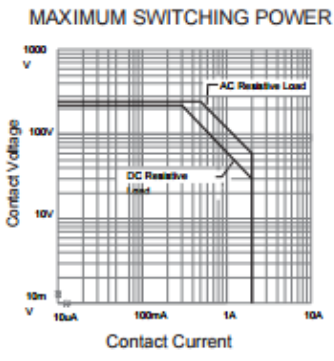
2CO PCB Mount Non-Latching Relay, 3 A, 24V

RS Stock number [800-4514](#)

Dimensions: (mm)



Characteristic Curve



Typical Contact Life Expectancy

Voltage	Power	Number of operations	
		Resistive Load	Inductive Load(cosφ=0.7)
50mV	50uW	5 x 10 ⁷	5 x 10 ⁷
30VDC	20W	3 x 10 ⁶	1 x 10 ⁶
30VDC	30W	1 x 10 ⁶	3 x 10 ⁵
30VDC	60W	1 x 10 ⁵	1.5 x 10 ⁴
60VDC	20W	3 x 10 ⁵	--
60VDC	30W	5 x 10 ⁴	--
60VDC	60W	1 x 10 ⁴	--
30VAC	40VA	3 x 10 ⁵	1 x 10 ⁵
30VAC	80VA	1 x 10 ⁵	3 x 10 ⁴
30VAC	120VA	1 x 10 ⁴	1.5 x 10 ⁴
60VAC	40VA	3 x 10 ⁵	1 x 10 ⁵
60VAC	80VA	1 x 10 ⁵	3 x 10 ⁴
60VAC	120VA	1 x 10 ⁴	1.5 x 10 ⁴
125VAC	40VA	3 x 10 ⁵	1 x 10 ⁵
125VAC	80VA	1 x 10 ⁵	3 x 10 ⁴
125VAC	125VA	1 x 10 ⁴	1.5 x 10 ⁴

Contact Data

Contact Arrangement	2C
Initial Contact Resistance	50mΩ
Contact Material	Ag-AuAg8, AgPd60
Contact Rating (Res. Load)	2A 30VDC 1A 125VAC
Max. switching power	60W, 125VA
Max. switching voltage	220VDC, 250VAC
Max. switching current	2A
Min. Applicable load	10mV 10μA
Electrical life	1 x 10 ⁶ ops (2A 30VDC) 5 x 10 ⁶ ops (1A 30VDC)
Mechanical life	1 x 10 ⁶ ops

Features

- 2 form C contact, polarised relay
- High sensitivity 150mW
- Fits standard 16 pin IC socket
- High switching capacity 60W, 125VA
- Epoxy sealed for automatic wave soldering and cleaning

Coil

Coil power		Sensitive	standard
		Single side stable	150mW
	Latching 2 coil	150mW	200mW
	Latching 1 coil	75mW	100mW
Temperature Rise	Max. 65° C		
Coil Voltage	See coil data table		

Characteristics

Initial Insulation Resistance	1000MΩ 500VDC	
Dielectric Strength	Contacts to coil	1500Vrms, 1min(1coil) 1000Vrms, 1min(2coil)
	Contacts to contact	1000Vrms, 1min
Operate time (at nomi. Volt.)	4ms	
Release time (at nomi. Volt.)	3ms	
Set Time (latching)	3ms	
Reset Time (latching)	3ms	
Bounce Time	1.5ms	
Ambient temperature	-40° C to +85° C	
Humidity	5% to 85%R.H.	
Vibration Resistance	196 m/s ² (20g) 10 to 55Hz	
Shock Resistance	Functional	490 m/s ² (50g)
	Destructive	980 m/s ² (100g)
Capacitance	Contact to contact	2.0p
	Contact set to contact	1.5p
	Contact to coil	5.0p
Max.Solder Temp. Time	270° C 5s	
Max.Solvent Temp. Time	80° C 30s	
Termination	DIP & PCB	
Unit weight	Approx. 4.5g	
Construction	Sealed	