

677-0768

Description:Dial Test Indicator

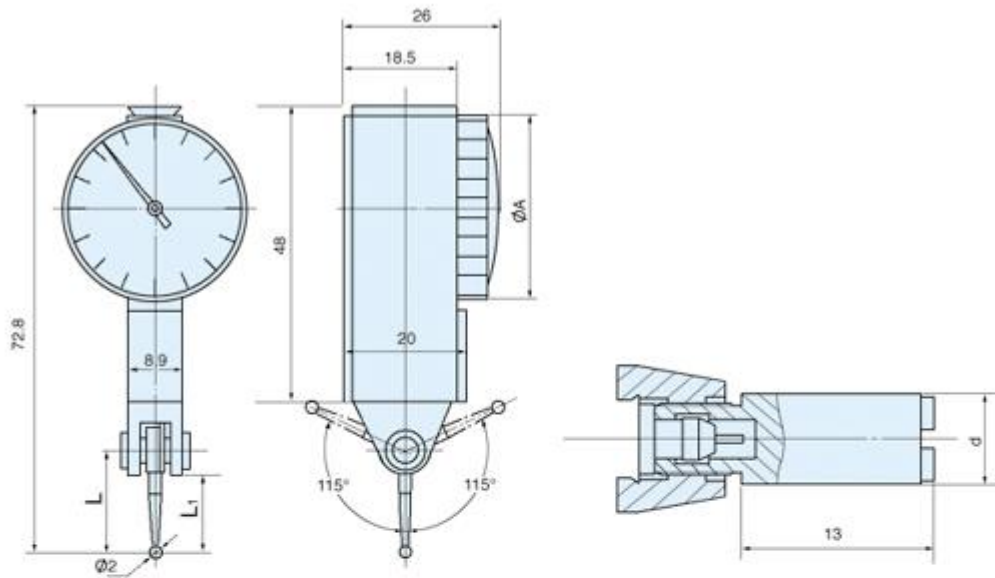
Specification:0-0.8mm

Resolution:0.002mm

Accuracy:0.008mm







FEATURES

- High quality brass main bodies, high resistance to magnetism
- Jeweled, vibrationproof, durable
- Pivot ball bearing
- Carbide, jewelball or steel contact point
- Three dovetails

A	d1	d2	L	L1
Ø37.5	Ø8	Ø6	16.5	12.5