

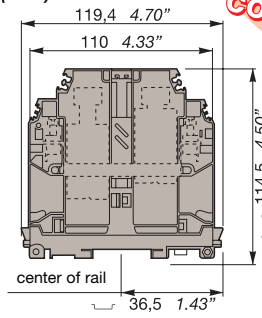
Standard terminal blocks

Compression clamp

DIN 3

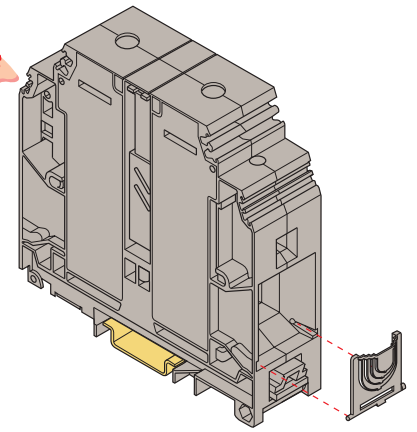
D 150/31.D10

Spacing 31 mm (1.22")

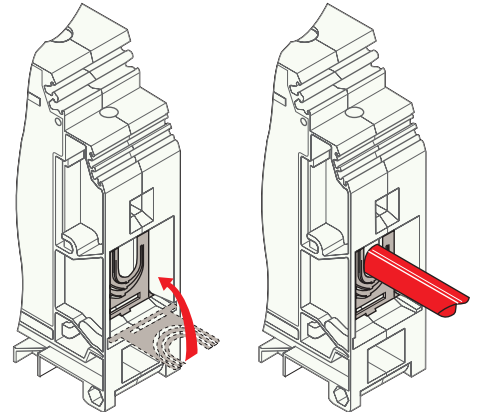
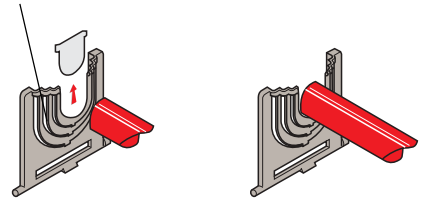


IN PROGRESS CONSULT US

Standard 31 mm block. Delivered with end plate and 10 mm² (6 AWG) output.



Partition to cut to fit the wire diameter.



End stop		th. 12 mm	BADH	V2	0116 900.27
End stop		th. 9,1 mm	BAMH	V2	0114 836.00
End stop		th. 9,1 mm	BAMH V0	V0	0194 836.01
Rail		35 x 7,5 x 1	PR3.Z2		0174 300.17
Rail		35 x 15 x 2,3	PR4		0168 500.12
Rail		35 x 15 x 1,5	PR5		0168 700.22

Other end stops, rails and accessories : see section on accessories.

Notes

- * In the wire entry :
- Accessory CPBP2 needed
- IP10 without the accessory.

		CE
Colour	Type	Part numbers

Grey		D 150/31.D10	0399 715.04
Blue		D 150/31.D10.N	0399 717.06
Green/Yellow		D 150/31.D10.PI	0399 716.05

Characteristics

	Wire size	IEC		UL/CSA pending
		NFC	DIN	
Main circuit	Solid wire	25-185 mm ²		4 AWG-350 MCM
Comp. clamp	Stranded wire	35-150 mm ²		2AWG-300 MCM
Output	Solid wire	0,5-16 mm ²		
Comp. clamp	Stranded wire	0,5-10 mm ²		18-6 AWG

Voltage		
Rated	1000 V	600 V
Pulse	12 kV	
Pollution degree	3	

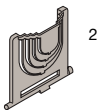
Current Rated		
Main circuit	309 A	445 A
Output	57 A	70 A

Wire size Rated / Gauge		
Main circuit	150 mm ² / B14	300 MCM
Output	10 mm ² / B14	6 AWG

	Wire strip. length	Tools	Recomm. torque	Protection
Main circuit	35 mm 1.37"	8 mm Allen Key 0.31"	10-30 Nm 88.5-260 lb.in	IP 20 *
	12 mm 0.47"	Screwdriver Ø 4 mm	1,2-1,4 Nm 10.6-12.3 lb.in	

Accessories

- Jumper bar not assembled
- IP20 cover

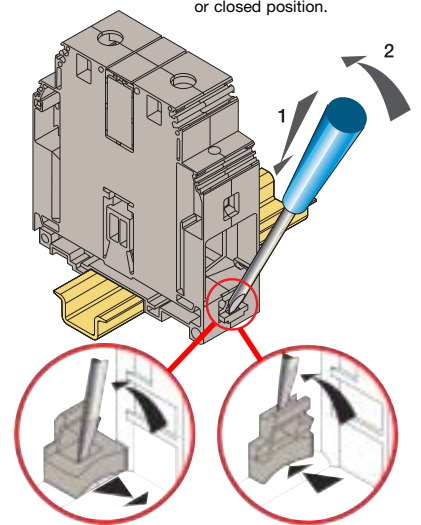


Type	Part numbers
------	--------------

CPBP1	Consult us 0399 788.16
-------	---------------------------

Locking foot operating with screwdriver DIA. 4

Sideopening "bistable action". The locking foot remains in open or closed position.



Unlocking

Locking



R See section on markers marking method

RC1010	26	17	11	10	6	3
--------	----	----	----	----	---	---