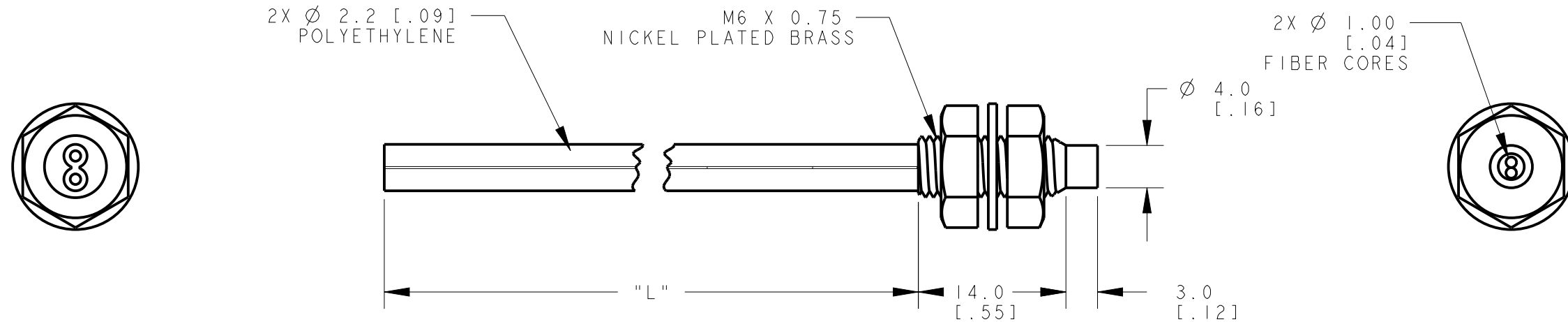


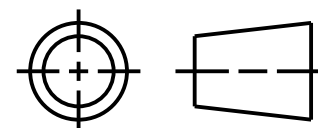
MODEL NO.	"TL"	"L"	P/N
PBT4100U	14.0 [.55]	30480 [1200]	76453
PBT4.5U	14.0 [.55]	152 [6]	48037
PBT450U	14.0 [.55]	15240 [600]	31414
PBT460U	14.0 [.55]	18288 [720]	32928
PBT475U	14.0 [.55]	22860 [900]	28472
PBT430U	14.0 [.55]	9906 [390]	27365
PBT415U	14.0 [.55]	4953 [195]	26564
PBT46U	14.0 [.55]	2000 [79]	25967



NOTES:
 1. ALL DIMENSIONS ARE MILLIMETERS [INCHES] UNLESS OTHERWISE NOTED.
 2. REFER TO "www.bannerengineering.com" FOR ADDITIONAL DATA AND SPECIFICATIONS.

This drawing is the property of BANNER ENGINEERING CORP. Any use or reproduction, in any form, without prior written permission of Banner is prohibited.
 © 2015 Banner Engineering Corp.

THIRD ANGLE PROJECTION



		BANNER ENGINEERING CORP.	
		www.bannerengineering.com	
TITLE			
PBT4 SERIES UNTERMINATED			
SIZE	DRAWING NO.	REV.	
B	161864	A	
SCALE	SHEET		
2:1	1 OF 1		

CREO