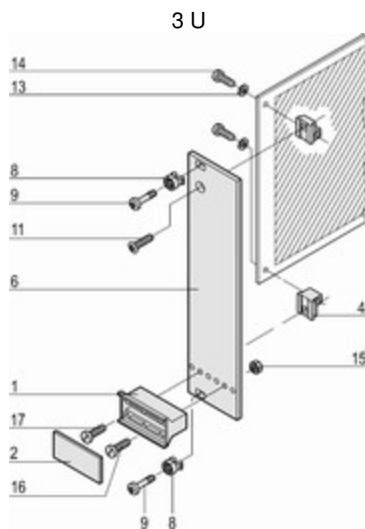


## Plug-in unit with static trapeziform handle



Illustration shows plug-in unit, 3 U, 4 HP



Product illustrations are exemplary illustrations and can deviate from supplied products.

**Part no.:** 20818-022

**Features:**

- Front panel unshielded
- Handle without extraction function

Add to basket



**Technical information:**

Height	Width
3 U	8 HP

**Downloads:**

3D PDF with CAD data (STEP/DWG/DXF/PDF) ([Log in](#) Required)  
 User Manual ([Log in](#) Required)

To gain access to the additional information you must [Log in](#).  
 If you do not yet have a user name, you may [Register here](#).

**Delivery comprises:** kit

Item	Qty	Description
1	1	Plastic handle, trapezium shape, PPE, grey
2	1	Identification plate, Al, 1.5 mm, anodised, cut edges plain
4	2	Board support, die-cast zinc
6	1	Front panel for trapezium shaped handle, front anodised, rear iridescent green chromated
8	2	Sleeve, PA, grey, up to 7 HP front panel width
8	4	Sleeve, PA, grey, from 8 HP front panel width
9	2	Pozidrive/slotted collar screw, St, nickel-plated, M2.5 x 11 and 12.3, up to 7 HP front panel width
9	4	Pozidrive/slotted collar screw, St, nickel-plated, M2.5 x 11 and 12.3, from 8 HP front panel width
11	1	Raised countersunk screw, St, nickel-plated, M2.5 x 8
13	2	Washer, A2.7, DIN 125

14	2	Flathead screw, St, nickel-plated, M2.5 × 10
15	1	Hexagon nut, St, nickel-plated, M2.5
16	1	Flathead screw, St, nickel-plated, M2.5 × 12
17	1	Flathead screw, St, nickel-plated, M2.5 × 16