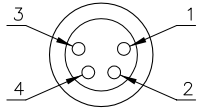
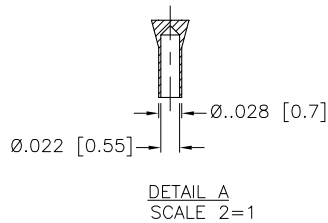
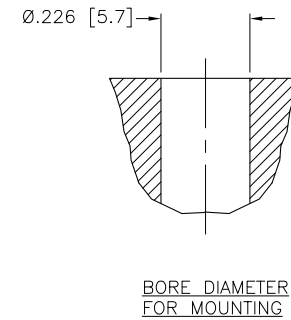
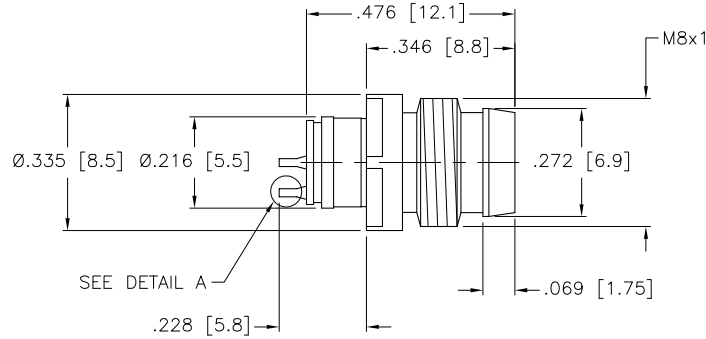
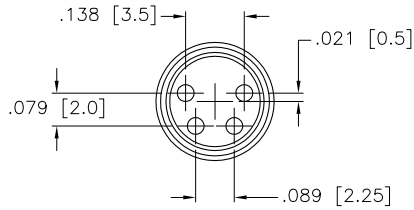


MALE PIN-OUT



SPECIFICATIONS

CONTACT CARRIER MATERIAL/COLOR	NYLON/BLACK
CONTACT MATERIAL/PLATING	CuZn, GOLD PLATED
HOUSING MATERIAL/PLATING	NICKEL PLATED BRASS
RATED CURRENT [A]	4.0 A
RATED VOLTAGE [V]	30 VAC/ 36 VDC
TEMPERATURE RANGE	-30°C to +80°C (-22°F to +176°F)
MAXIMUM WIRE SIZE	28 AWG



RELATED DOCUMENTS		3RD ANGLE PROJECTION		THIS DRAWING IS PROPERTY OF TURCK INC. USE OF THIS DOCUMENT WITHOUT WRITTEN PERMISSION IS PROHIBITED.		<b>TURCK INC</b> High Technology Sensors and Automation Controls 3000 CAMPUS DRIVE MINNEAPOLIS, MN 55441 1-800-544-7769 (763) 553-7300 (763) 553-0708 fax turck.com	
1. 2. 3. 4.				DRFT IK	DATE 04/14/99	DESCRIPTION SESM 4S (10/BAG)	
MATERIAL		ALL DIMENSIONS DISPLAYED ON THIS DRAWING ARE FOR REFERENCE ONLY		DSGN	SCALE 2=1.0	IDENTIFICATION NO. E3008	
FINISH		CONTACT TURCK FOR MORE INFORMATION		UNIT OF MEASUREMENT <b>INCH [ MILLIMETER ]</b>		REV A	
A DRAWING RELEASE		IK 04/14/99		DO NOT SCALE THIS DRAWING		FILE: PIC\E3008	
REV	DESCRIPTION	BY	DATE	ECO NO.	SHEET 1 OF 1		

A	DRAWING RELEASE	IK	04/14/99	
REV	DESCRIPTION	BY	DATE	ECO NO.