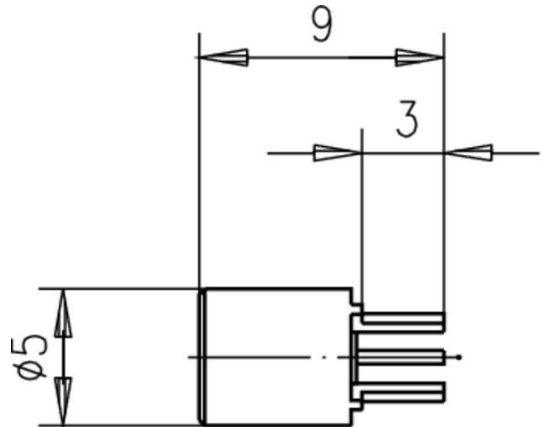


order number: J01271A0141

MCX PCB Receptacle, female



Technical Attributes	
Finish	Gold
Mount. dim.	Z23

### Product description

The MCX series of miniature connectors utilizes a snap coupling and is suitable for use up to 6 GHz. The impedance is controlled at 50 Ω. Connector designs are available for flexible, conformable and semi-rigid cables. Styles are available for mounting to printed circuit boards using thru-hole soldering, press-fit and surface mount technology (SMT). Solder and crimp techniques are used to terminate this series to cables. Because of their small size, these connectors have applications in small instruments and communication equipment.

Mechanical Characteristics	
Durability (mating cycles): standard type	≥ 100
Durability (mating cycles): MIL type	≥ 500
Engagement/Disengagement	14 N typ.
Material: spring contacts	CuBe2
Material: solid contact parts	CuZn39Pb3
Material: crimp ferrule	Cu
Material: serrated lock washer	CuSn6
Material: insulators	PTFE

Finish: Inner conductor	Cu1Ni2Au1.27
Finish outer conductor: Gold plated (standard; last digit ...1)	Cu1Ni2Au0.8
Finish outer conductor: MIL gold plated (last digit ...2)	Cu1Ni2Au1.27
Finish outer conductor: Type for printed circuits (last digit ...7)	SnPb8
Finish outer conductor: Telealloy (white bronze) plated (last digit ...8)	CuSnZn3
Finish outer conductor: Nickel plated (last digit ...9)	Cu2Ni5
Finish other metal parts: Gold plated (standard; last digit ...1)	Cu2Ni5Au0.2
Finish other metal parts: MIL gold plated (last digit ...2)	Cu1Ni2Au0.8
Finish other metal parts: Nickel plated (last digit ...9)	Cu2Ni5

Climatic Characteristics	
Climatic category acc. to IEC 60068 - 1	55/155/21

Electrical Characteristics	
Contact resistance inner conductor	$\leq 5 \text{ m}\Omega$
Contact resistance outer conductor	$\leq 2.5 \text{ m}\Omega$
Insulation resistance	1 G $\Omega$
Voltage proof	750 Veff / 50 Hz
Impedance	50 $\Omega$
Return loss: Straight style	$\geq 20.0 \text{ dB} / 1 \text{ GHz}$
Return loss: Angle style	$\geq 14.0 \text{ dB} / 1 \text{ GHz}$
Frequency range up to	6 GHz (CECC 22220)

Standards	
IEC 61 169-36	